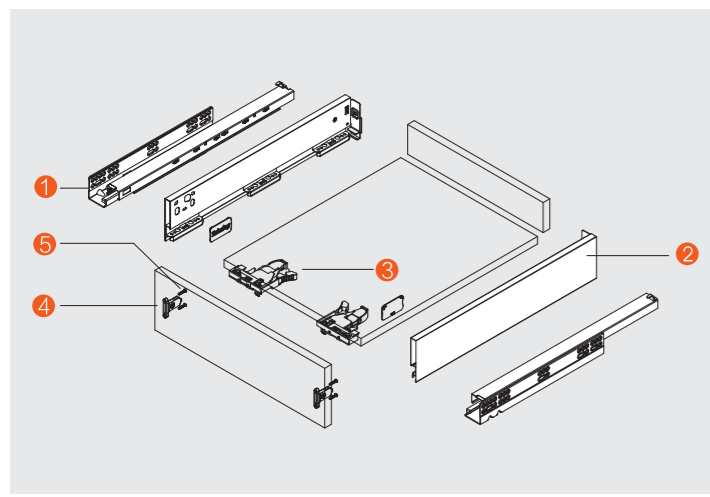


Slim Double Wall Drawer, Low Drawer Height
Code 7273011

- Synchronized runners
- Loading capacity: 35 kgs
- 3D front panel adjustable
- Finish: Grey colour
- Nominal slide length (NL): 500mm

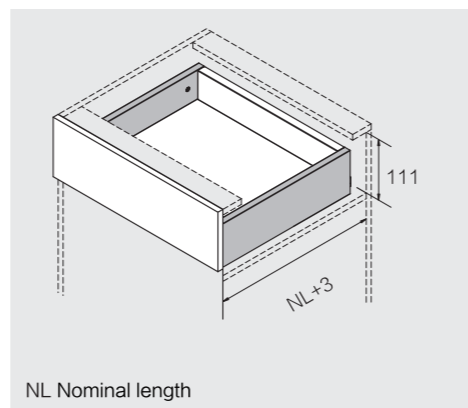


The basic components



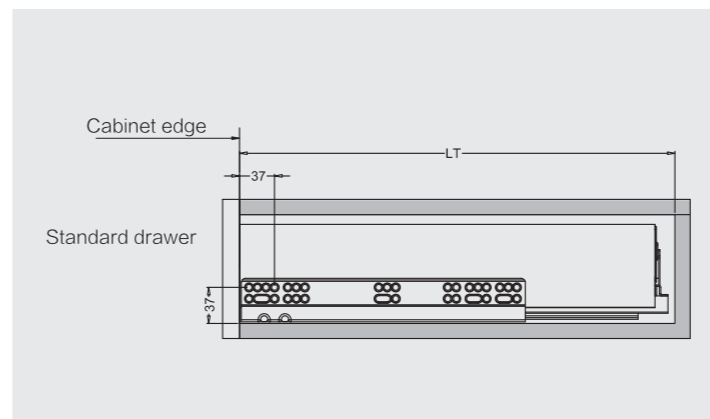
1. Synchronized runners (1 pair: 1 left + 1 right)
2. Drawer Sides (1 pair)
3. Bottom fixing bracket (1 pair)
4. Front connectors (1 pair)
5. Screws (4 pcs)

Space Requirement

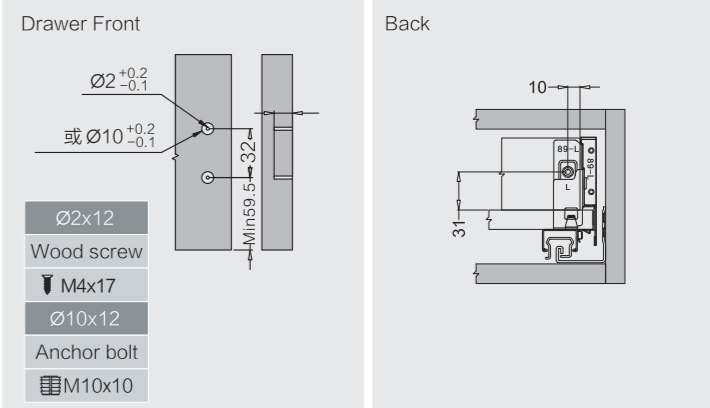


Installation dimensions(mm)

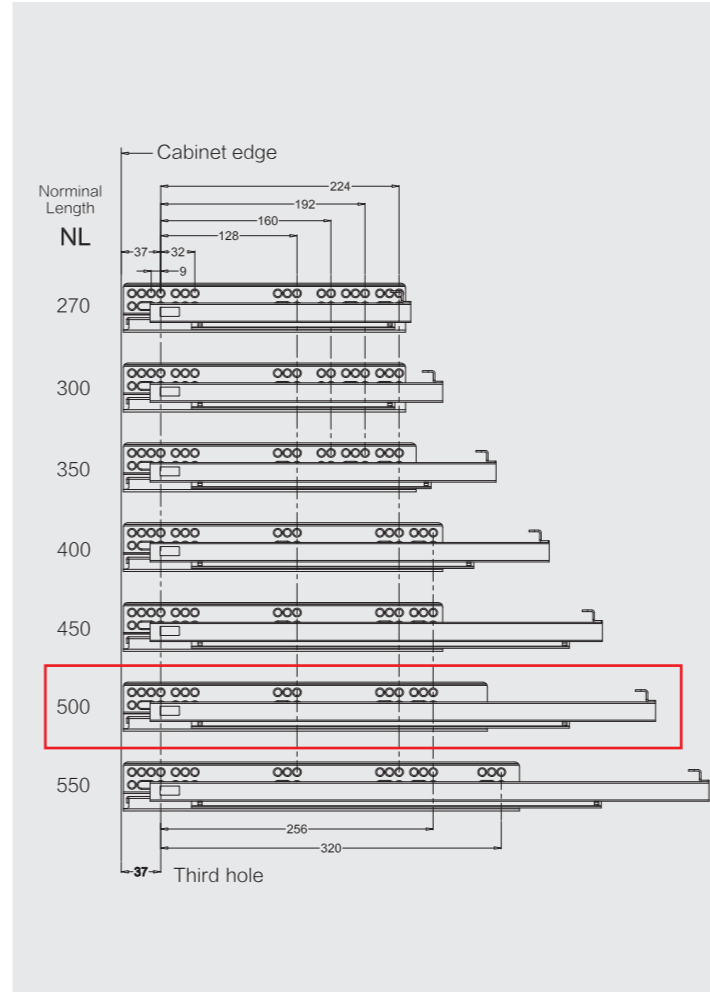
Nominal Slide Length=NL Internal Cabinet Depth=LT=NL+3



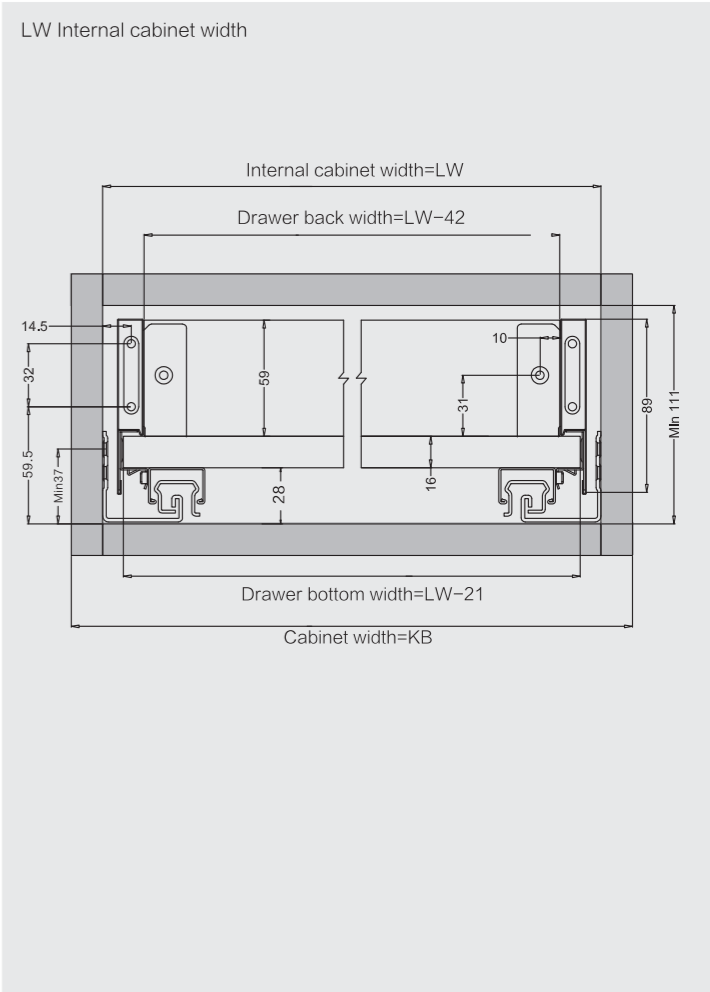
Drawer installation dimensions(mm)



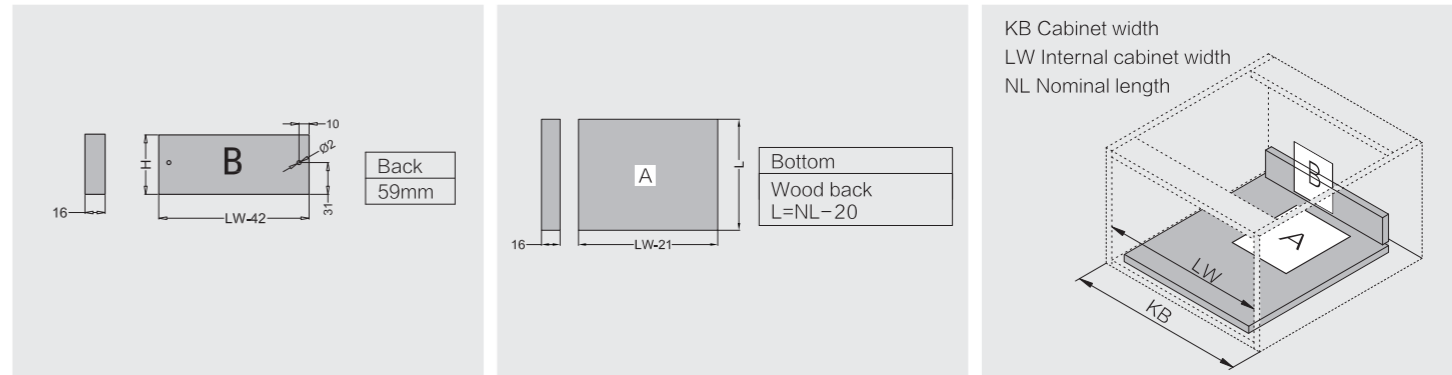
Screw Positions of the Sides(mm)



Installation Dimensions(mm)



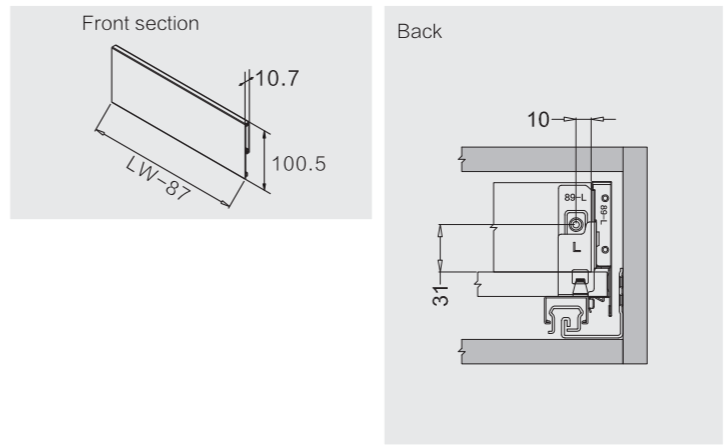
Drawer Back and Bottom Dimensions(mm)



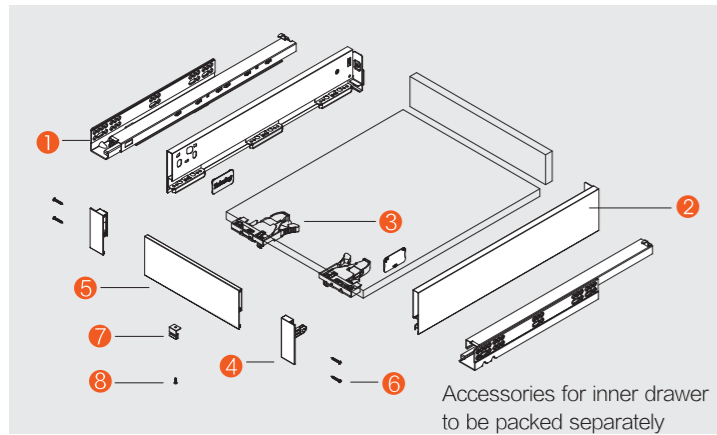
Slim Double Wall Inner Drawer, Low Drawer Height
Code 7273021 + 7293903 + 7273917



- Synchronized runners
- Loading capacity: 35 kgs
- 3D front panel adjustable
- Finish: Grey colour
- **Nominal slide length (NL): 500mm**

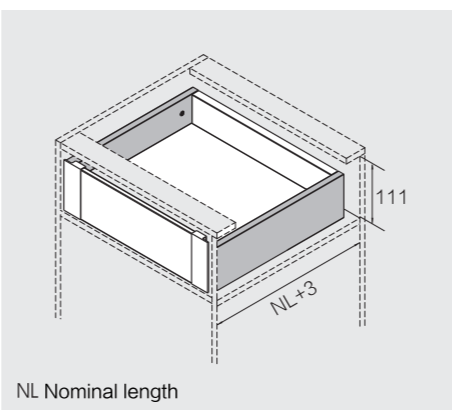


The basic components

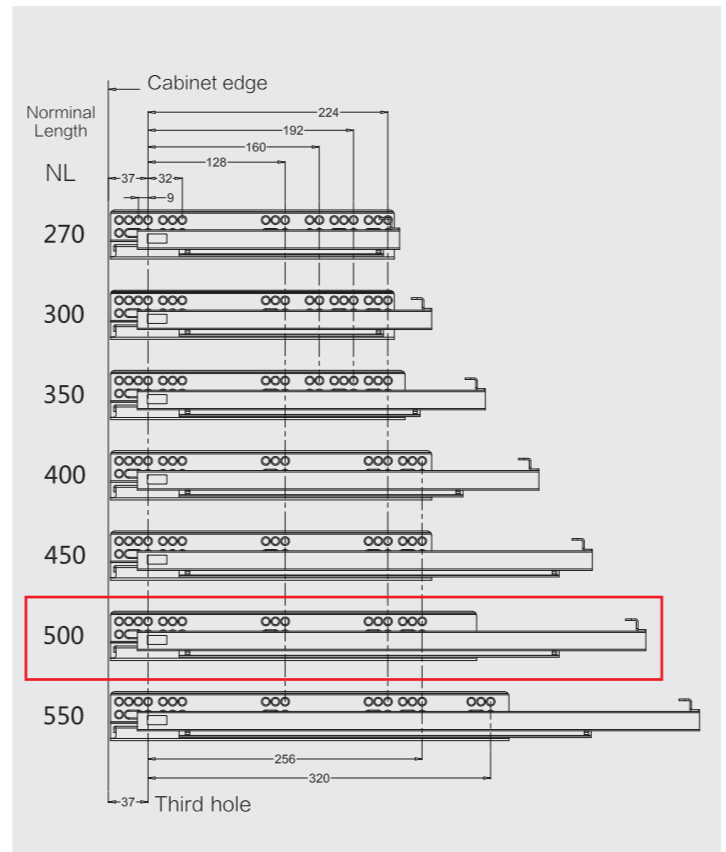


1. Synchronized runners (1 pair: 1 left + 1 right)
2. Drawer Sides (1 pair)
3. Bottom fixing bracket (1 pair)
4. Front panel connectors (1 pair)
5. Front panel (length 1100mm)
6. Screws (4 pcs)
7. Bottom fixed
8. Screw (M3.5 x 13)

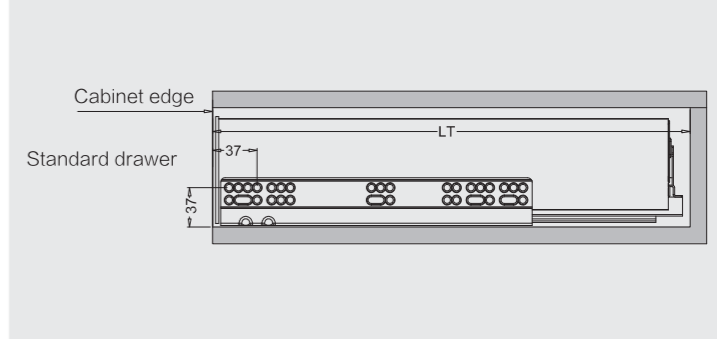
Space Requirement



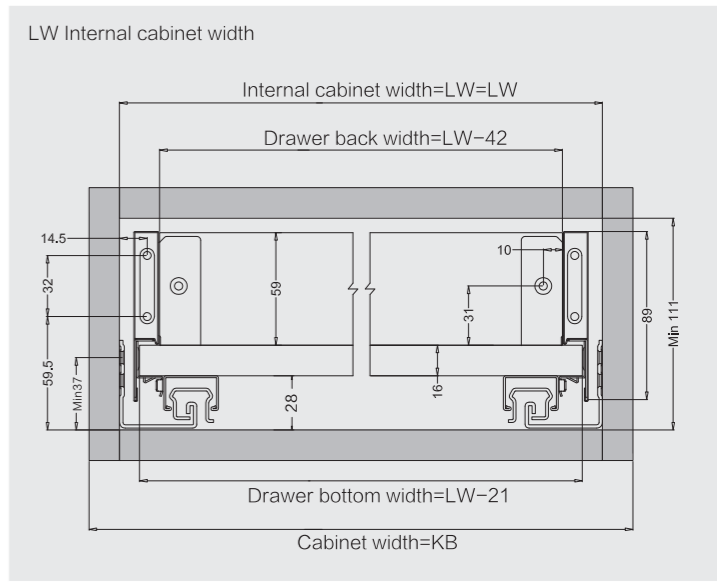
Screw Positions of the Sides(mm)



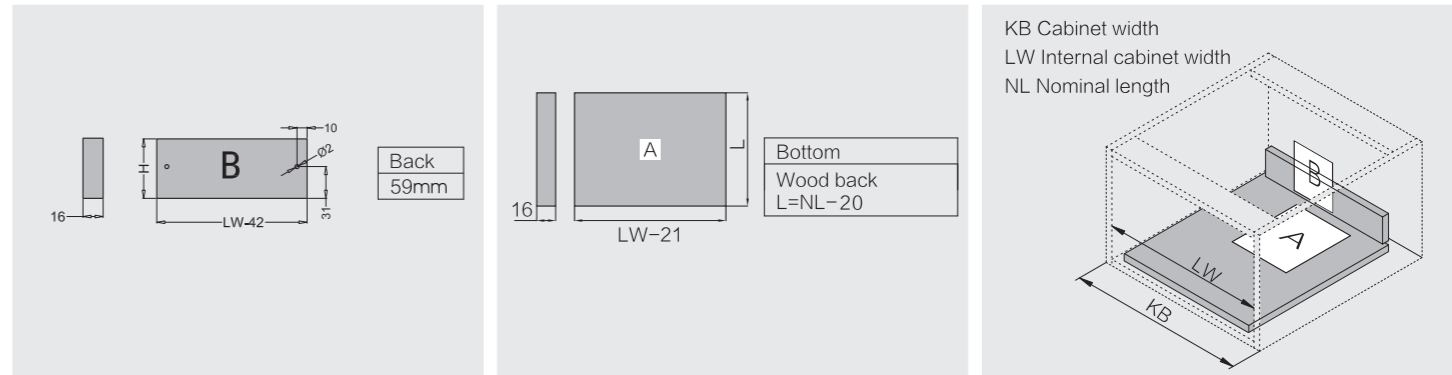
Normal Slide Length=NL Internal Cabinet Depth=LT LT=NL+3



Installation Dimensions(mm)



Drawer Back and Bottom Dimensions(mm)



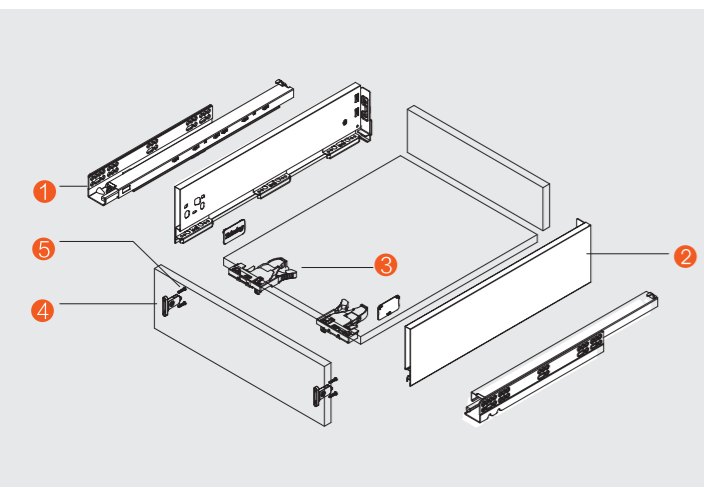
Slim Double Wall Drawer, Medium Drawer Height

Code 7273014



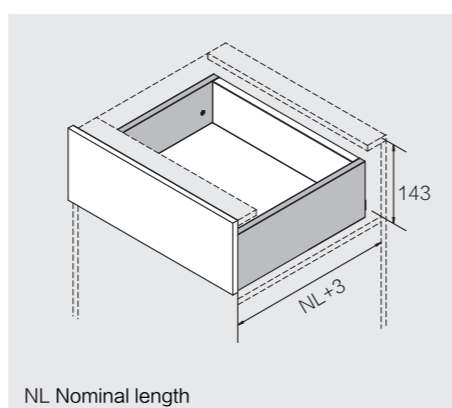
- Synchronized runners
- Loading capacity: 35 kgs
- 3D front panel adjustable
- Finish: Grey colour
- Nominal slide length (NL): 500mm

The basic components



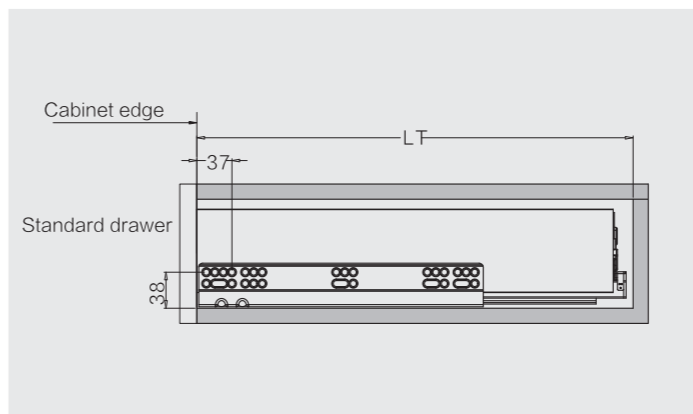
1. Synchronized runners (1 pair: 1 left + 1 right)
2. Drawer Sides (1 pair)
3. Bottom fixing bracket (1 pair)
4. Front connectors (1 pair)
5. Screws (4 pcs)

Space Requirement

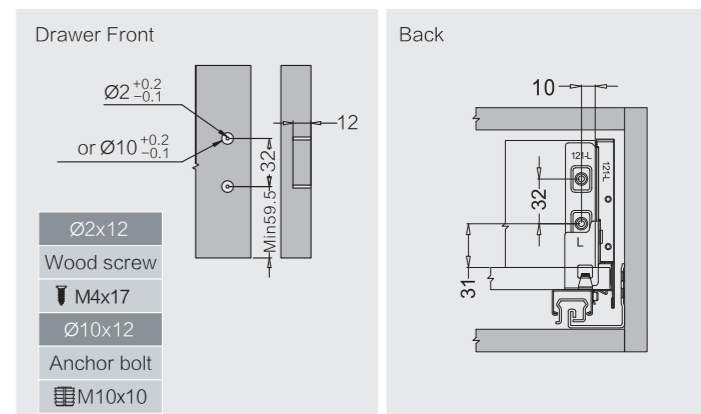


Installation dimensions(mm)

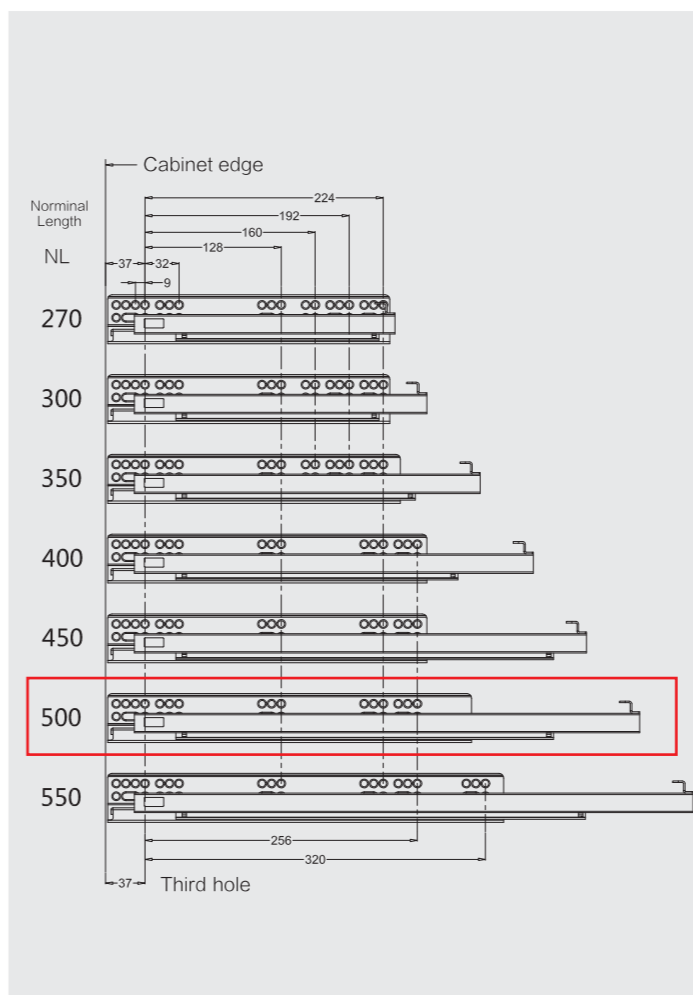
Nominal Slide Length=NL Internal Cabinet Depth=LT=NL+3



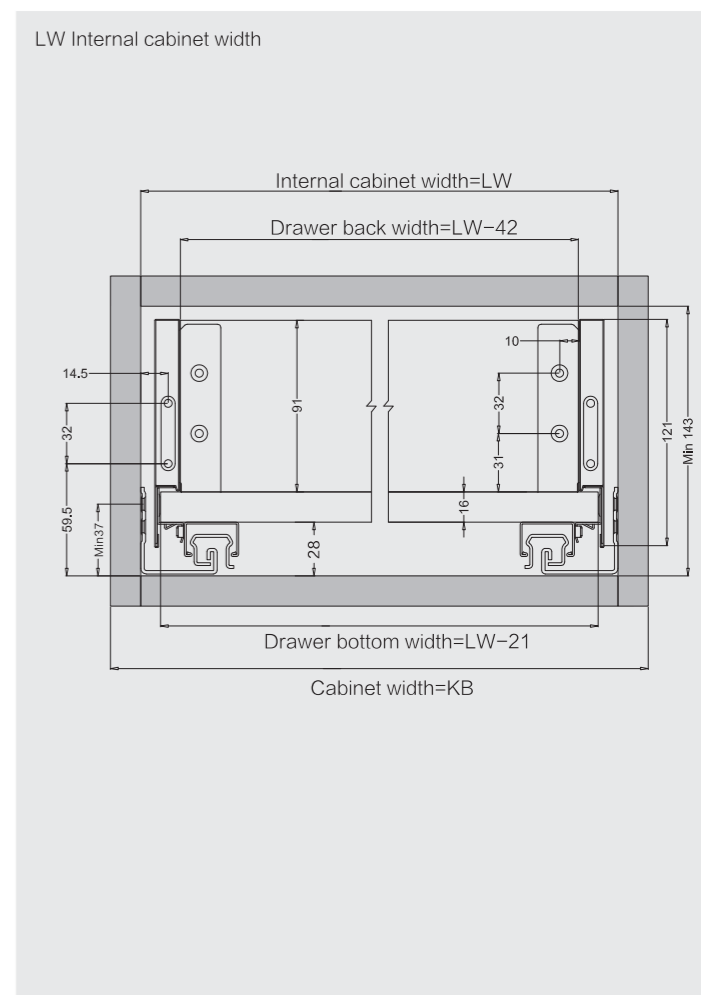
Drawer installation dimensions(mm)



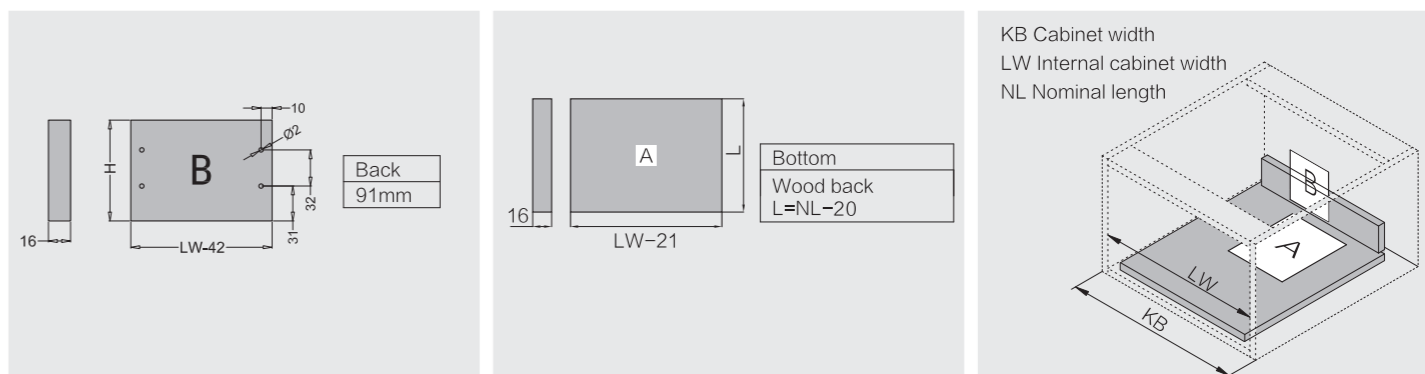
Screw Positions of the Sides(mm)



Installation Dimensions(mm)



Drawer Back and Bottom Dimensions(mm)



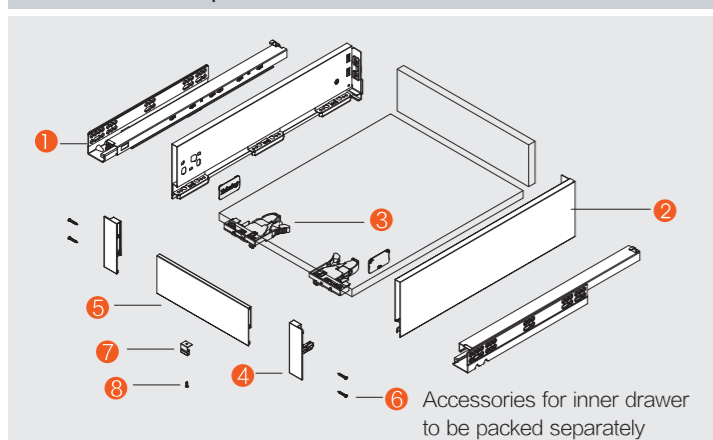
Slim Double Wall Inner Drawer, Medium Drawer Height

Code 7273022 + 7293904 + 7273917



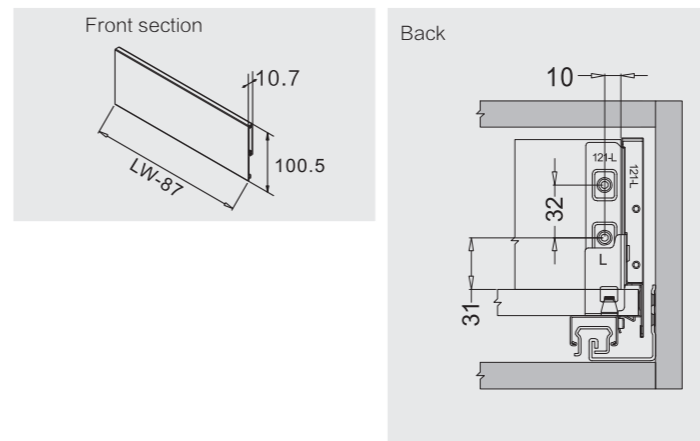
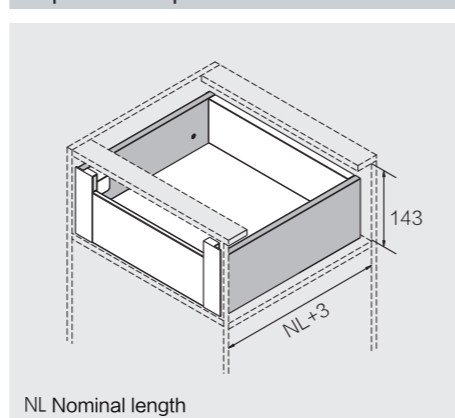
- Synchronized runners
- Loading capacity: 35 kgs
- 3D front panel adjustable
- Finish: Grey colour
- Nominal slide length (NL): 500mm

The basic components

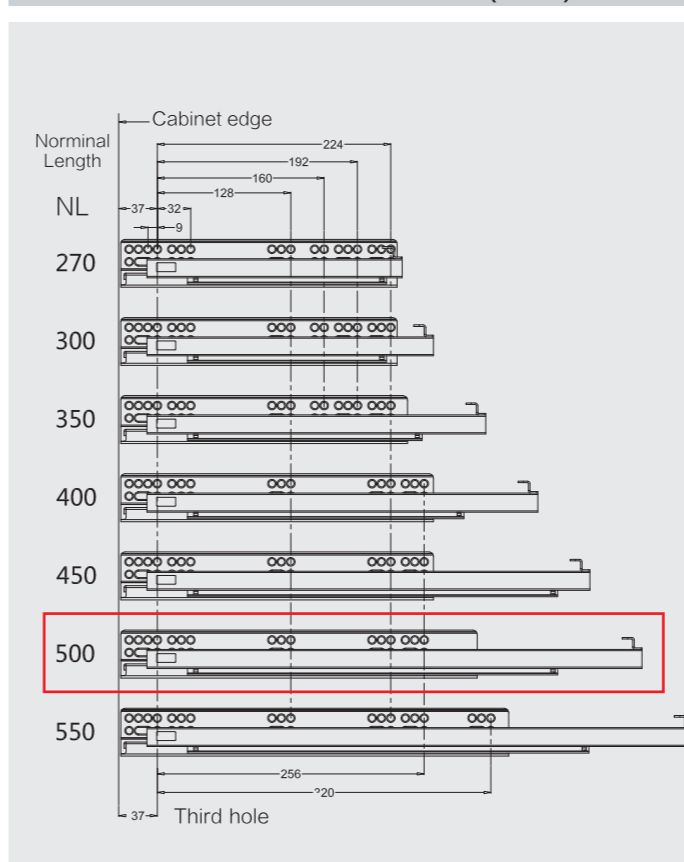


1. Synchronized runners (1 pair: 1 left + 1 right)
2. Drawer Sides (1 pair)
3. Bottom fixing bracket (1 pair)
4. Front panel connectors (1 pair)
5. Front panel (length 1100mm)
6. Screws (4 pcs)
7. Bottom fixed
8. Screw (M3.5 x 13)

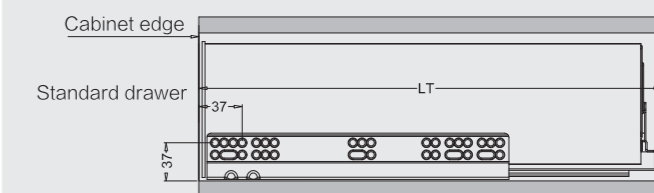
Space Requirement



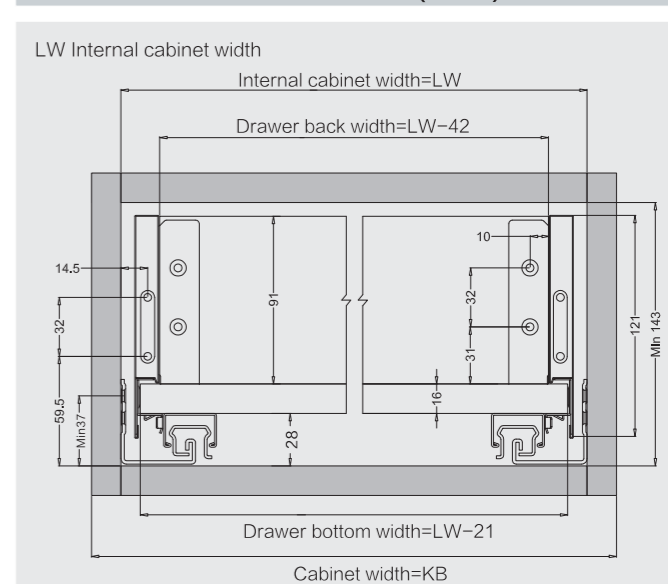
Screw Positions of the Sides(mm)



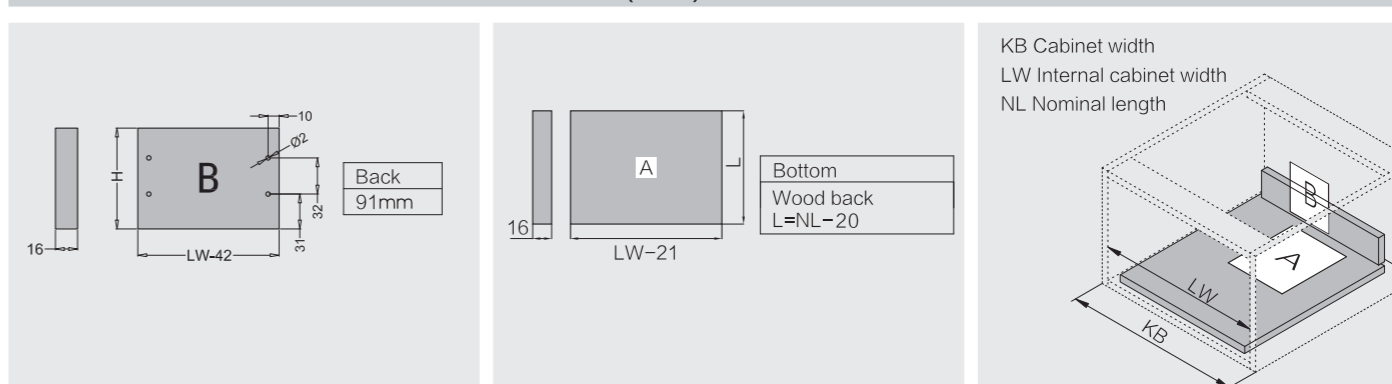
Normal Silde Length=NL Internal Cabinet Depth=LT LT=NL+3



Installation Dimensions(mm)



Drawer Back and Bottom Dimensions(mm)

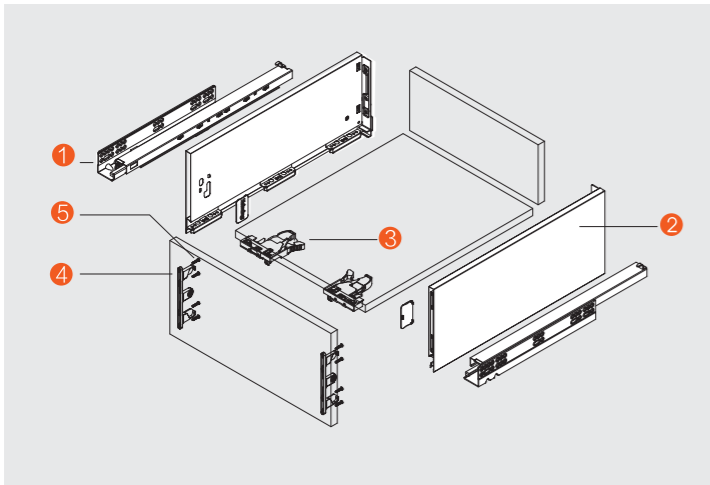


Slim Double Wall Drawer, High Drawer Height
Code 7273017



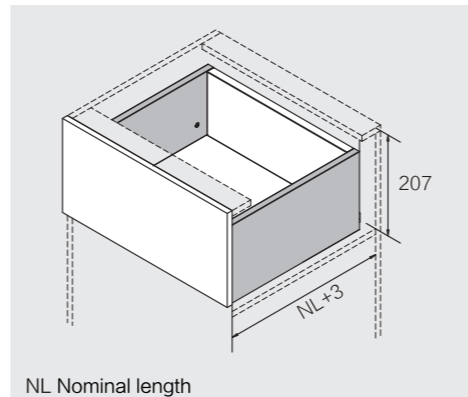
- Synchronized runners
- Loading capacity: 35 kgs
- 3D front panel adjustable
- Finish: Grey colour
- Nominal slide length (NL): 500mm

The basic components



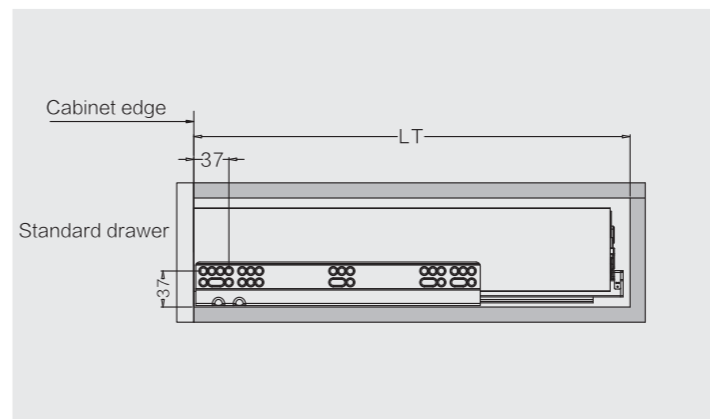
1. Synchronized runners (1 pair: 1 left + 1 right)
2. Drawer Sides (1 pair)
3. Bottom fixing bracket (1 pair)
4. Front connectors (1 pair)
5. Screws (4 pcs)

Space Requirement

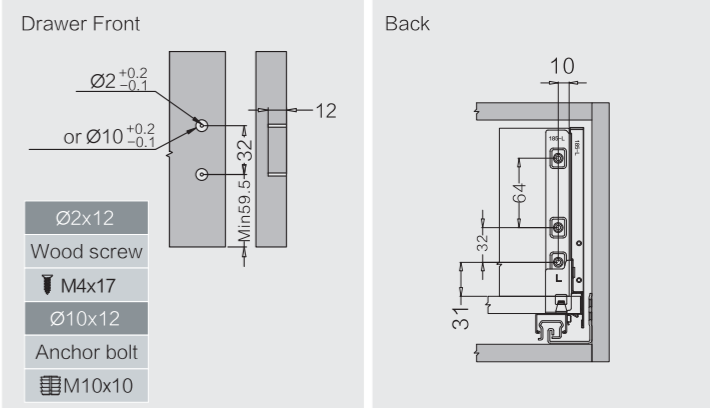


Installation dimensions(mm)

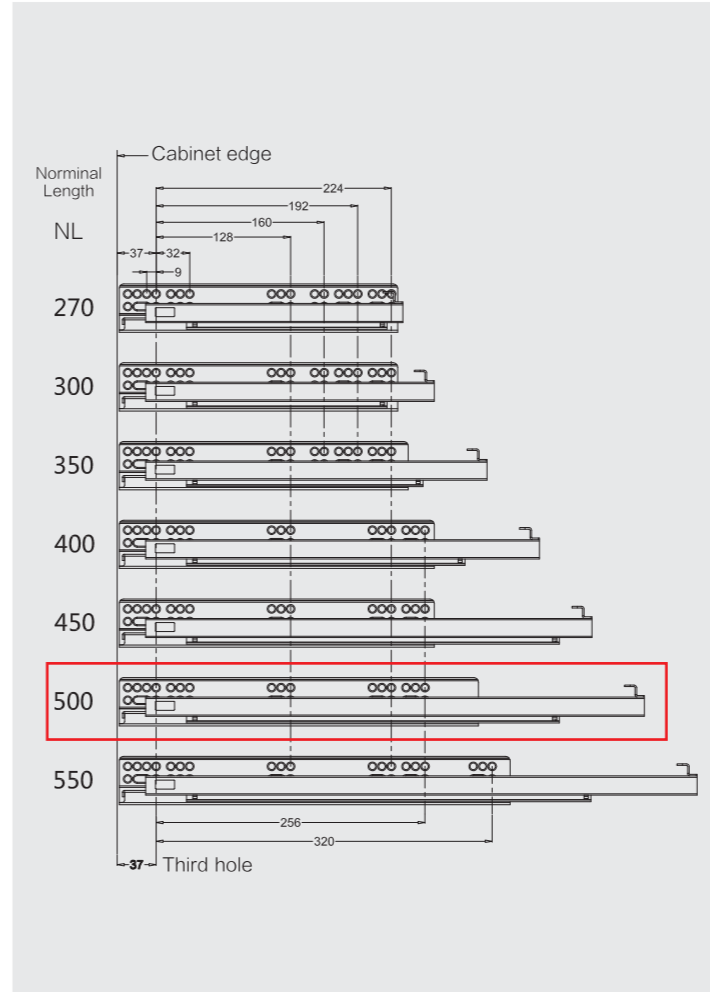
Nominal Slide Length=NL Internal Cabinet Depth=LT=NL+3



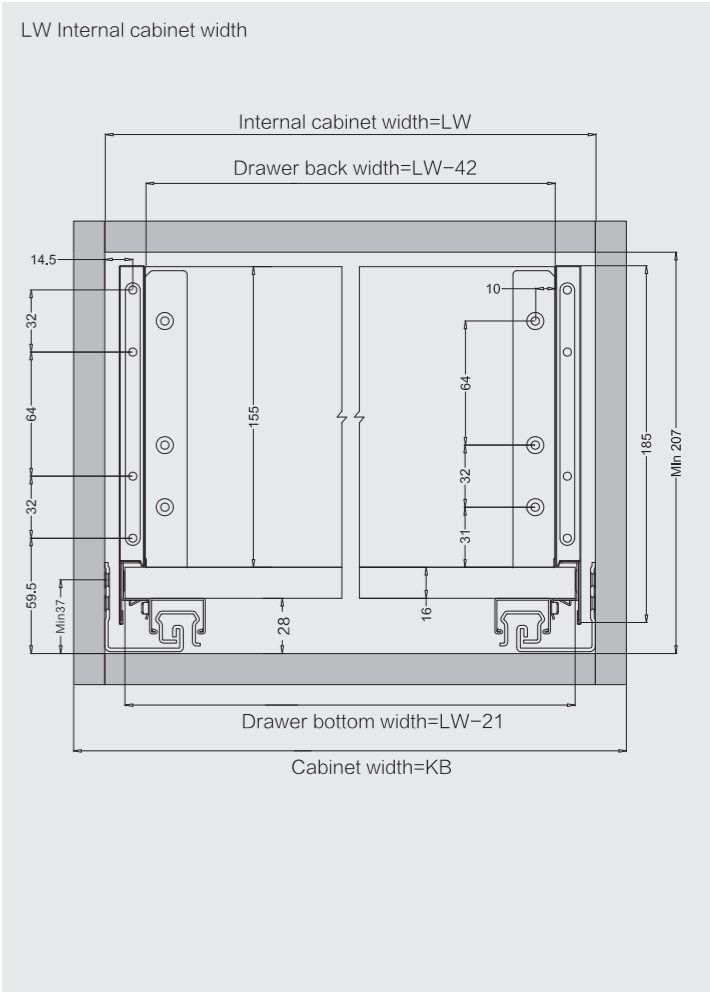
Drawer installation dimensions(mm)



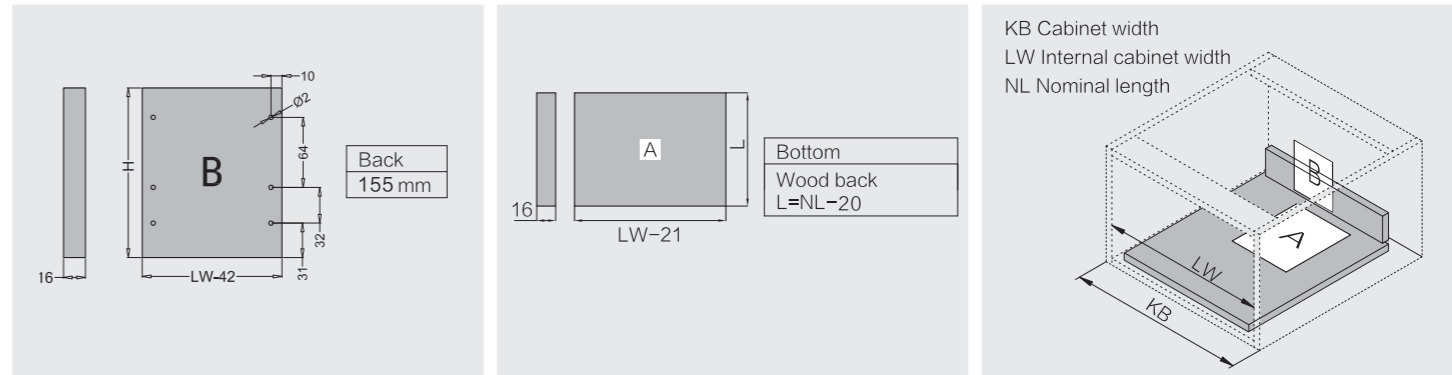
Screw Positions of the Sides(mm)



Installation Dimensions(mm)



Drawer Back and Bottom Dimensions(mm)

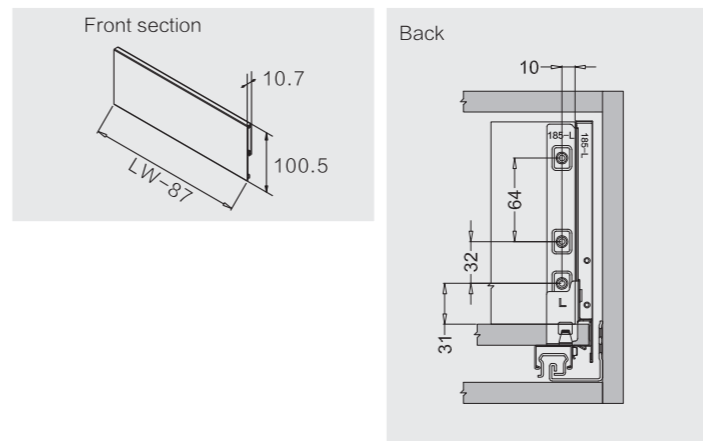


Slim Double Wall Inner Drawer, High Drawer Height

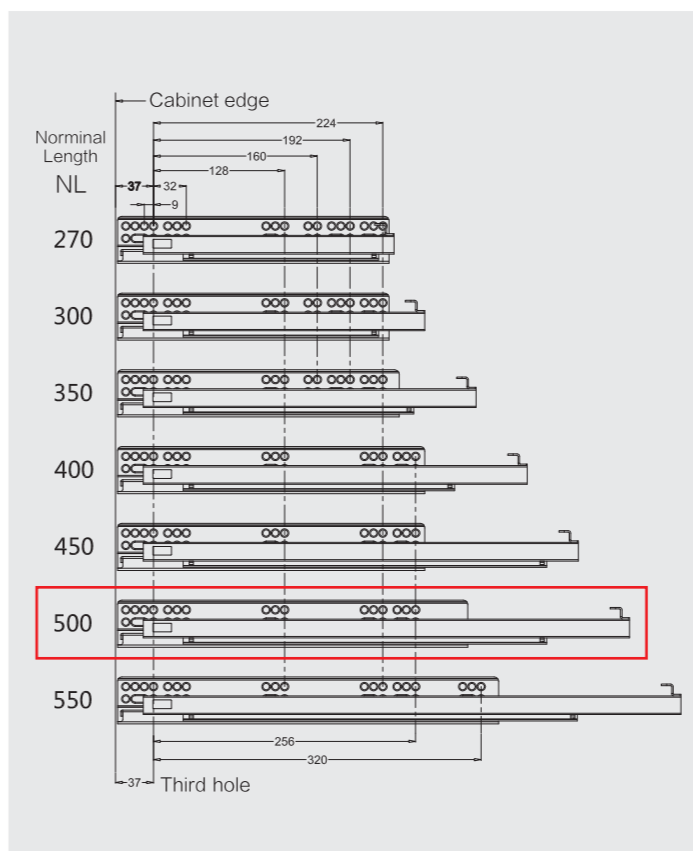
Code 7273023 + 7293905 + 7273917 + 7273918



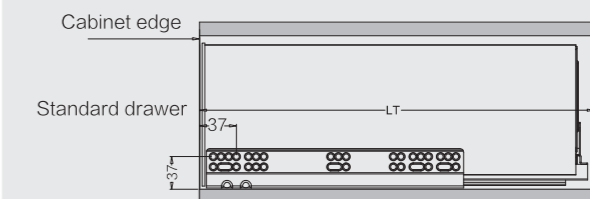
- Synchronized runners
- Loading capacity: 35 kgs
- 3D front panel adjustable
- Finish: Grey colour
- Nominal slide length (NL): 500mm



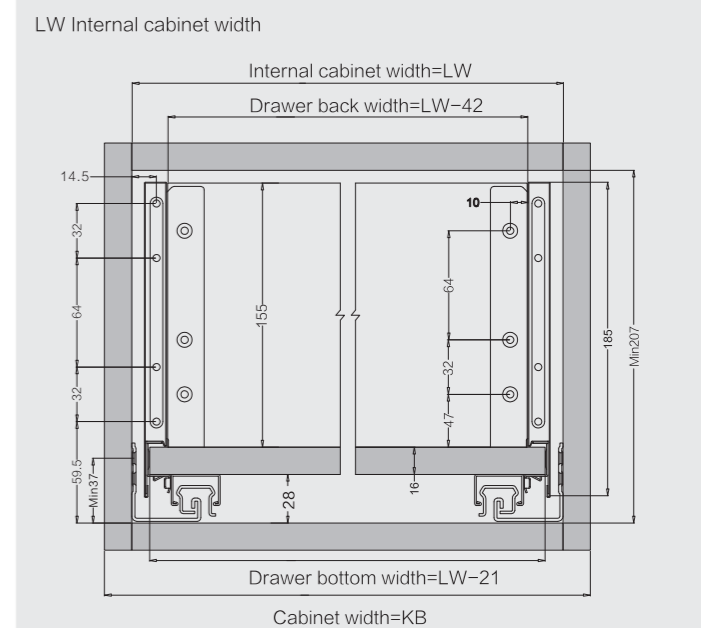
Screw Positions of the Sides(mm)



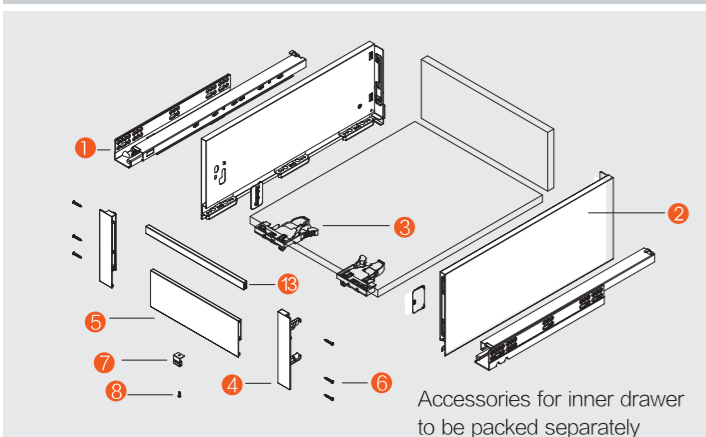
Normal Slide Length=NL Internal Cabinet Depth=LT LT=NL+3



Installation Dimensions(mm)

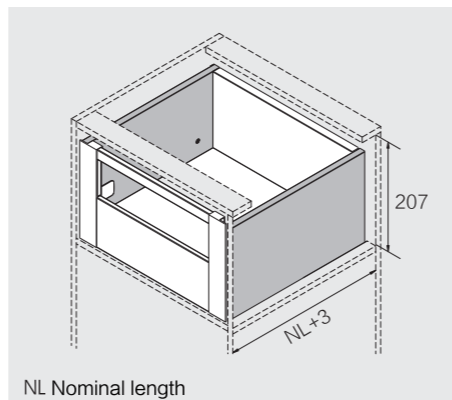


The basic components

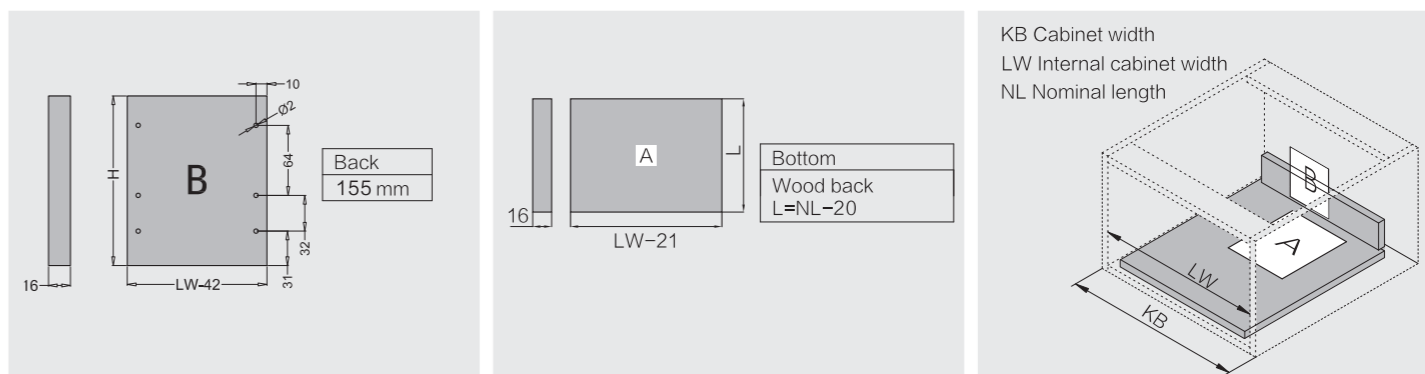


1. Synchronized runners (1 pair: 1 left + 1 right)
2. Drawer Sides (1 pair)
3. Bottom fixing bracket (1 pair)
4. Front panel connectors (1 pair)
5. Front panel (length 1100mm)
6. Screws (4 pcs)
7. Bottom fixed
8. Screw (M3.5 x 13)
13. Cross square rail (1 bar with length 1100mm)

Space Requirement



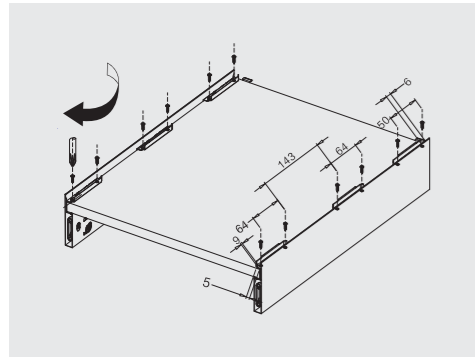
Drawer Back and Bottom Dimensions(mm)



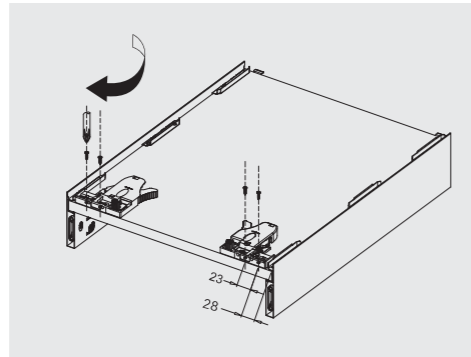
Slim Double Wall Drawers Assembly, Removal, Adjustment

Slim Double Wall Drawers Assembly, Removal, Adjustment

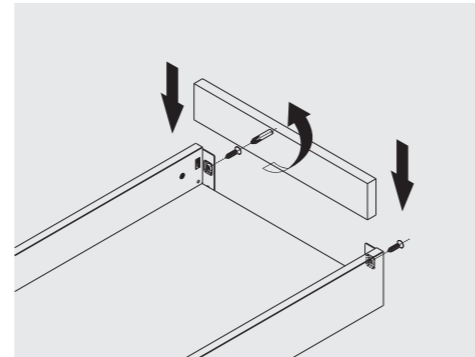
Drawer Assembly



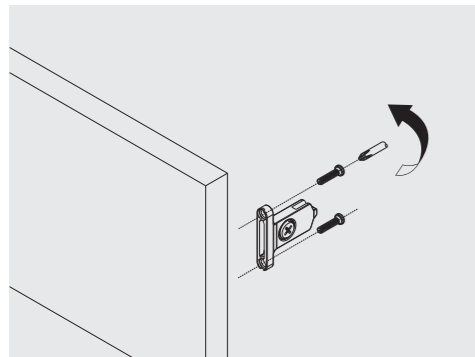
Drawer bottom assembly



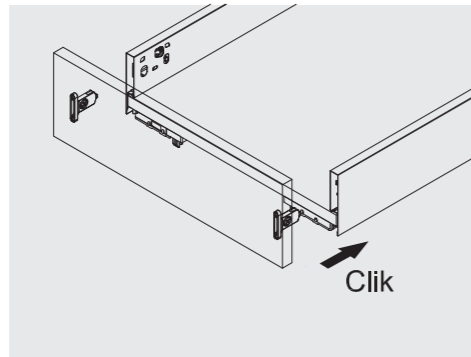
Locking Brackets assembly



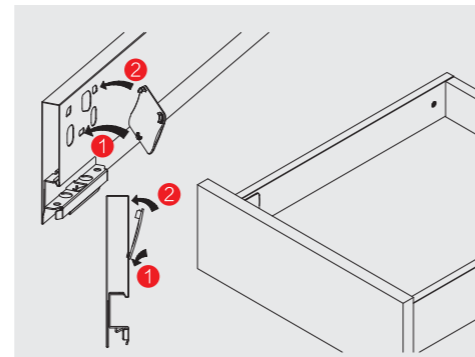
Drawer back assembly



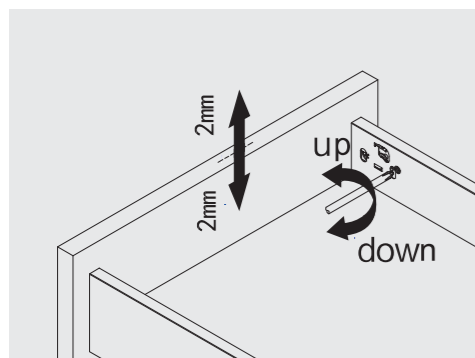
Drawer front assembly



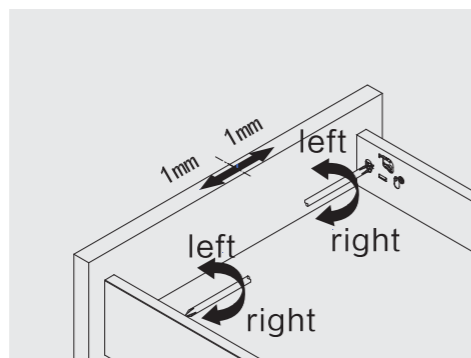
Clik



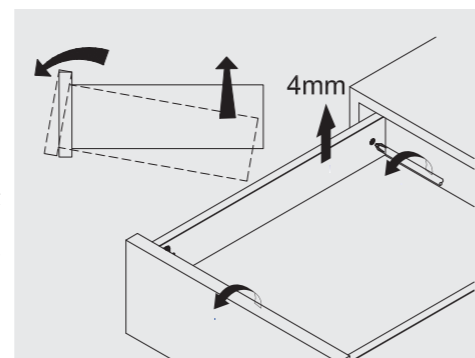
Adjustment



Up & down adjustment

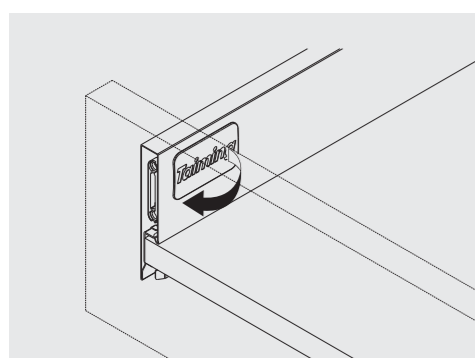


Left & right adjustment

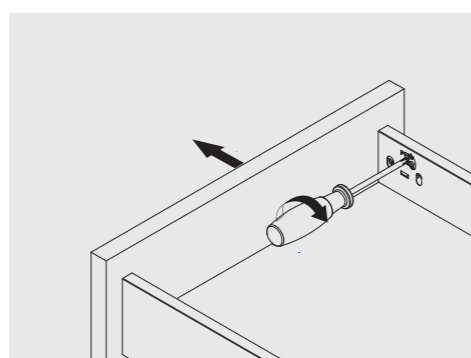


Tilt adjustment at drawer back

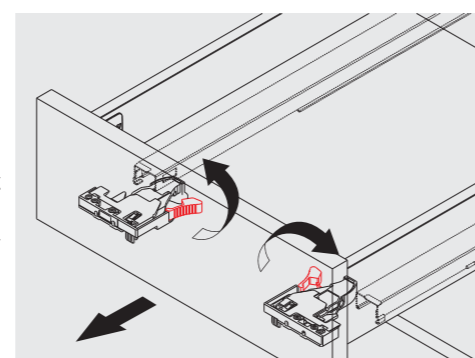
Removal



Tip up the cover and pull out

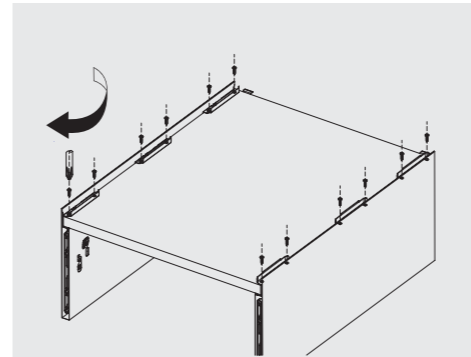


Turn screw driver to release the drawer front

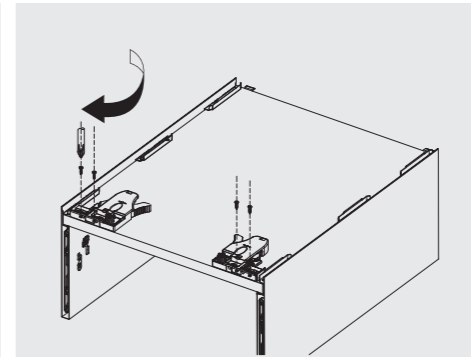


Remove the drawer by pressing the locking bracket and then pull the drawer out

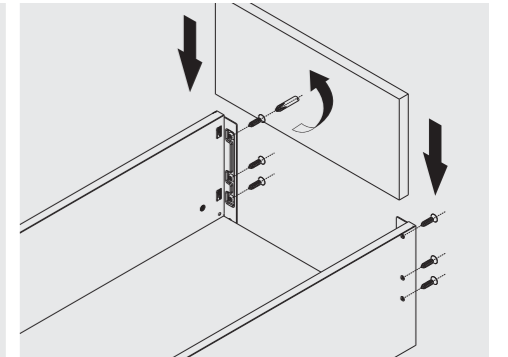
Drawer Assembly



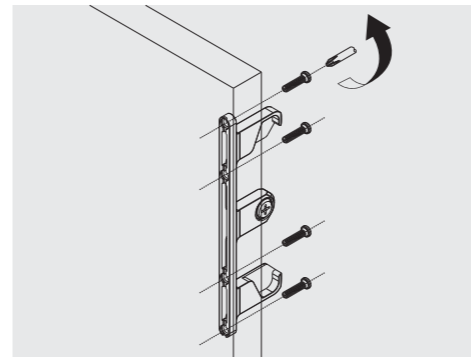
Bottom assembly



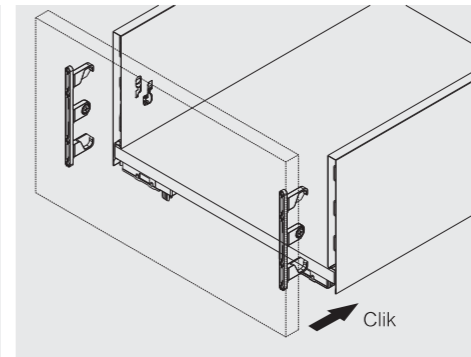
Locking Brackets assembly



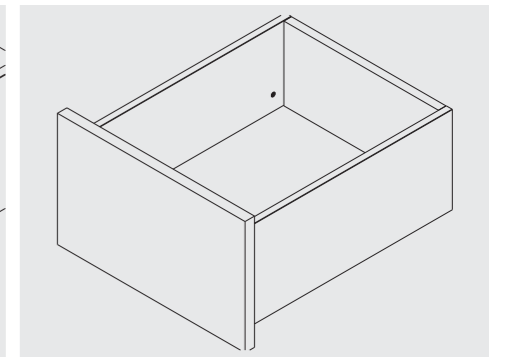
Back assembly



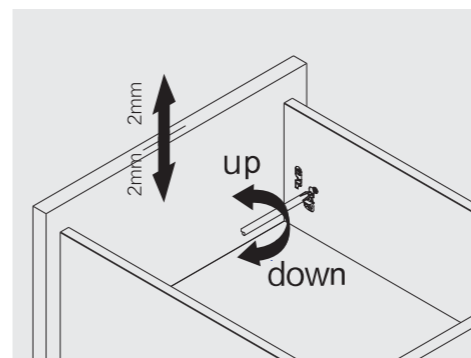
Front assembly



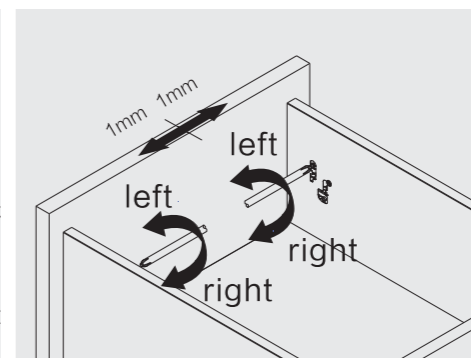
Clik



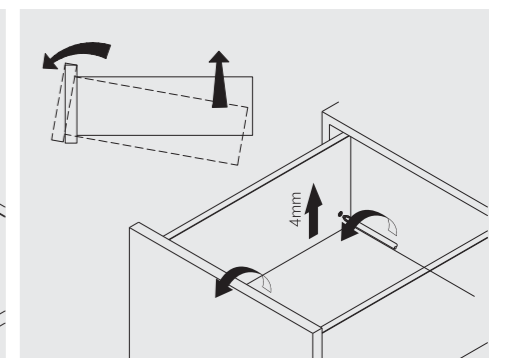
Adjustment



Up & down adjustment

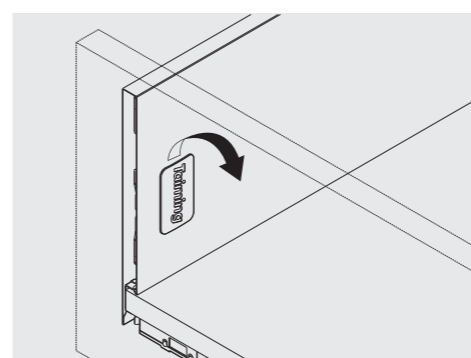


Left & right adjustment

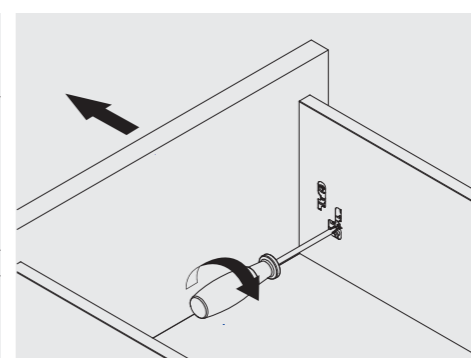


Tilt adjustment at drawer back

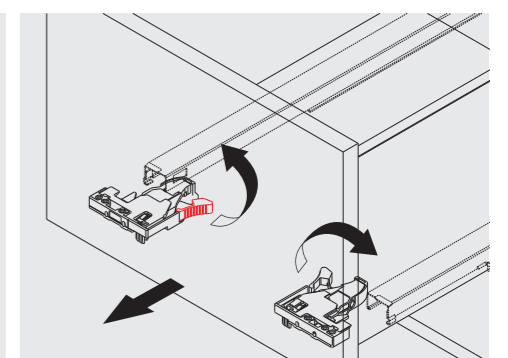
Removal



Tip up the cover and pull out



Turn screw driver to release the drawer front

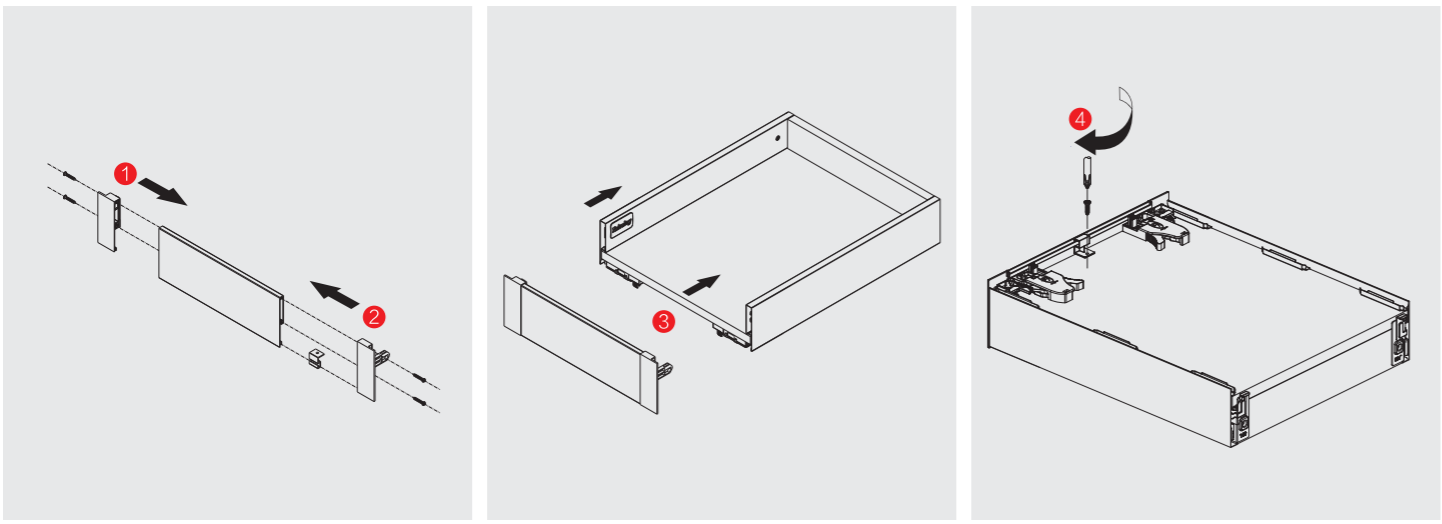


Remove the drawer by pressing the locking bracket and then pull the drawer out

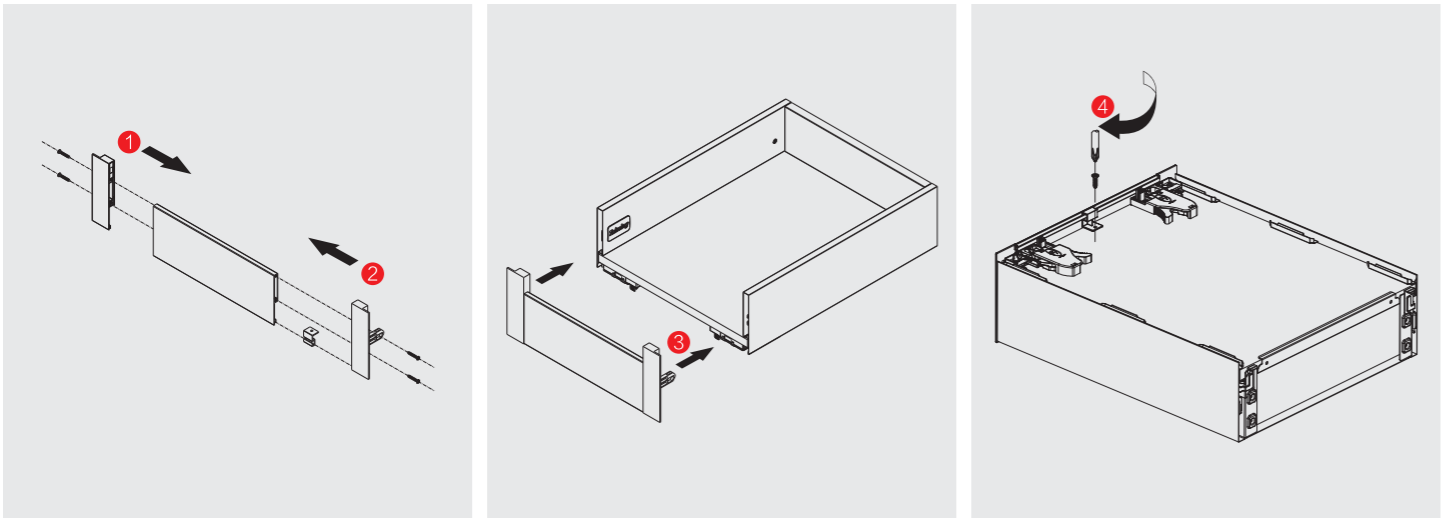
Slim Double Wall Inner Drawers Assembly, Removal, Adjustment

Slim Double Wall Inner Drawers Assembly, Removal, Adjustment

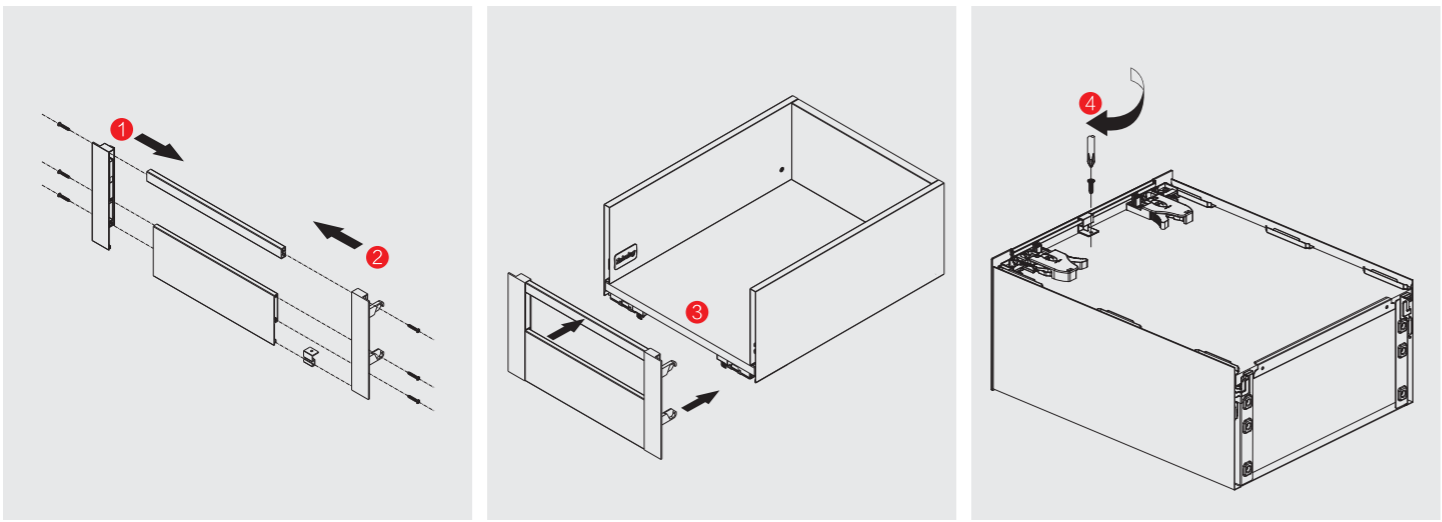
Low Inner drawer front assembly



Medium Inner drawer front assembly

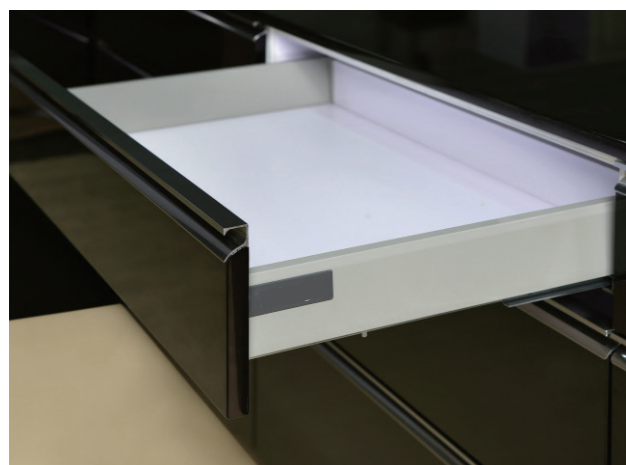


High Inner drawer front assembly



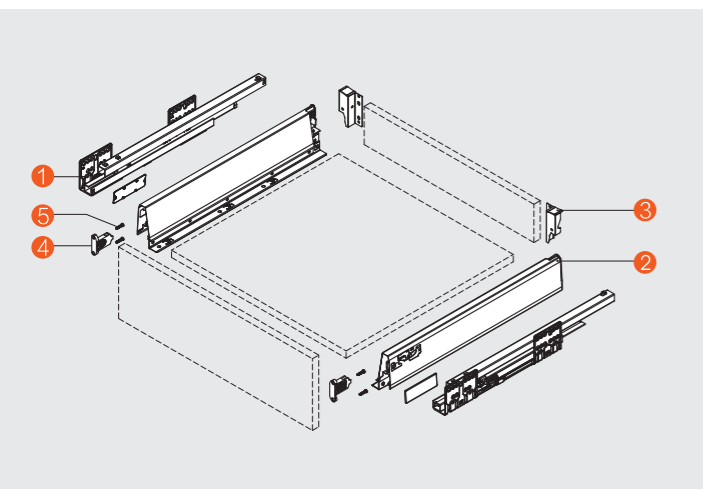
Double Wall Drawer, Low Drawer Height

Code: 7273002



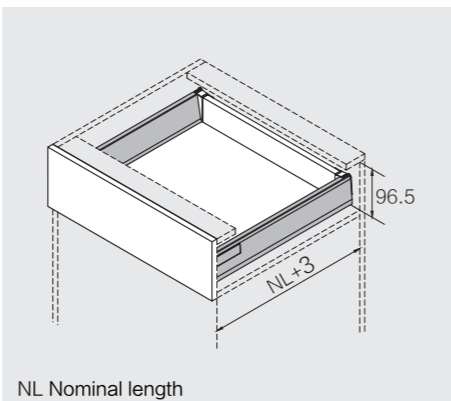
- Synchronized runners
- Loading capacity: 35 kgs
- 3D front panel adjustable
- Finish: Grey colour
- Nominal slide length (NL): 500mm

The basic components



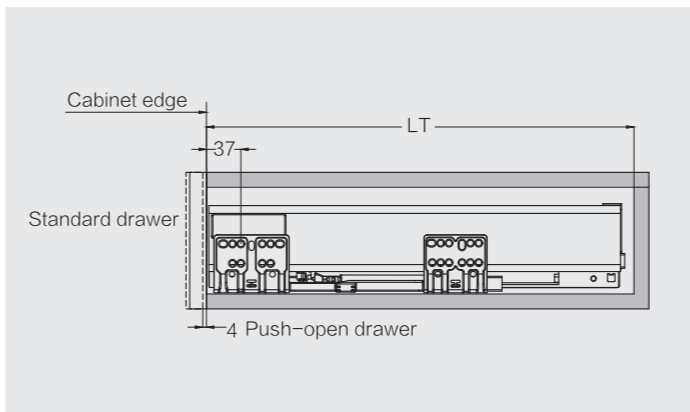
1. Synchronized runners (1 pair: 1 left + 1 right)
2. Drawer Sides (1 pair)
3. Back fixing bracket (1 pair)
4. Front connectors (1 pair)
5. Screws (4 pcs)

Space Requirement

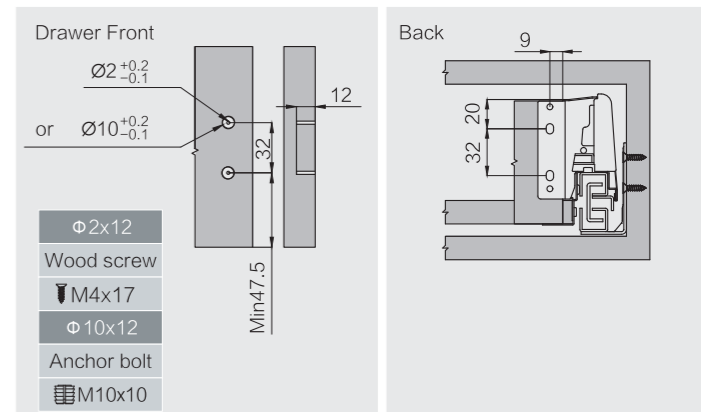


Installation dimensions(mm)

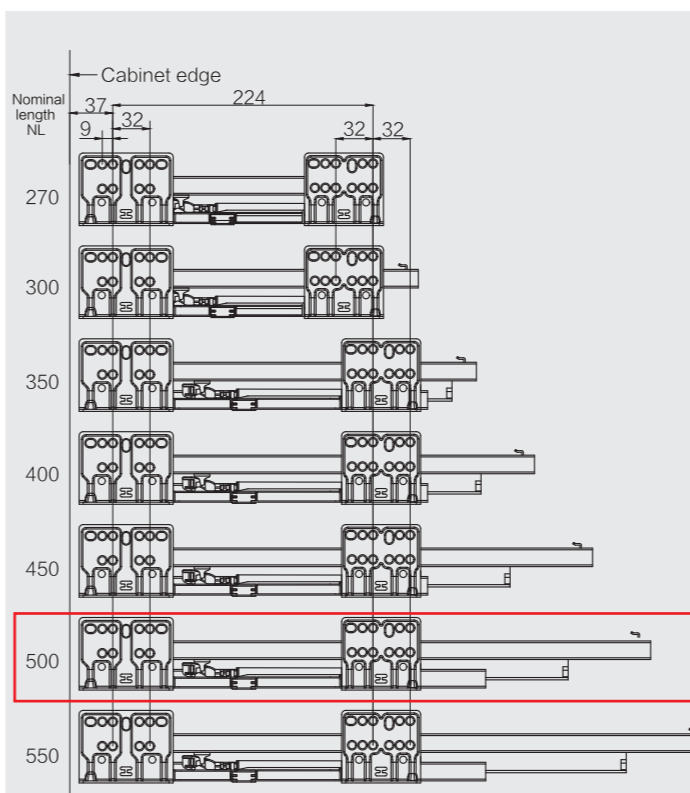
Nominal Slide Length=NL Internal Cabinet Depth=LT=NL+3



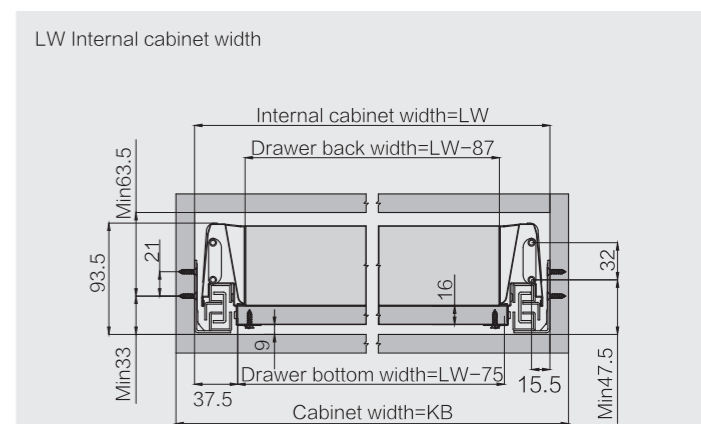
Drawer installation dimensions(mm)



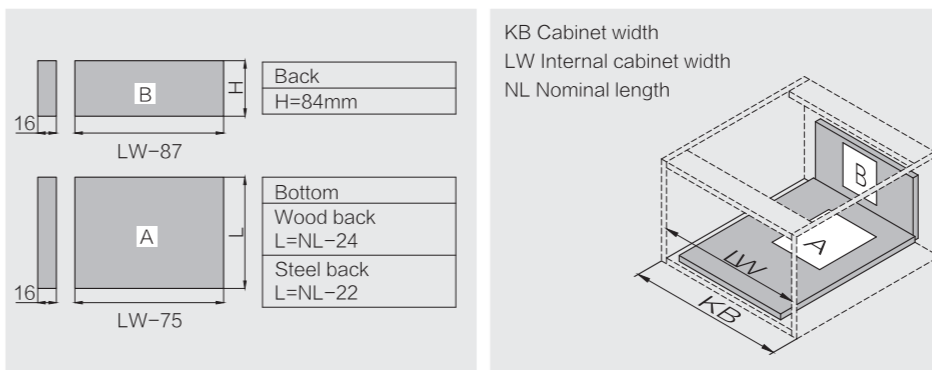
Screw Positions of the Sides(mm)



Installation Dimensions(mm)



Drawer Back and Bottom Dimensions(mm)



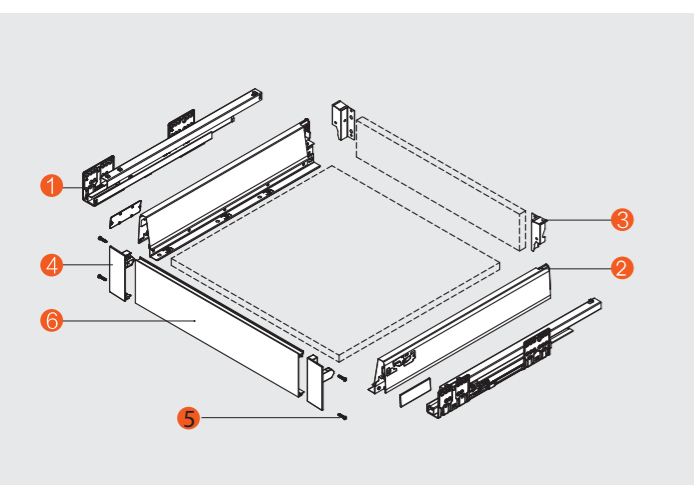
Double Wall Inner Drawer, Low Drawer Height

Code: 7273018 + 7293900 + 7273916



- Synchronized runners
- Loading capacity: 35 kgs
- 3D front panel adjustable
- Finish: Grey colour
- Nominal slide length (NL): 500mm

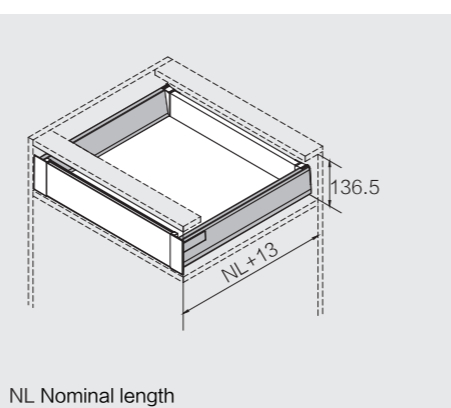
The basic components



Note: Front section not included in the kit package

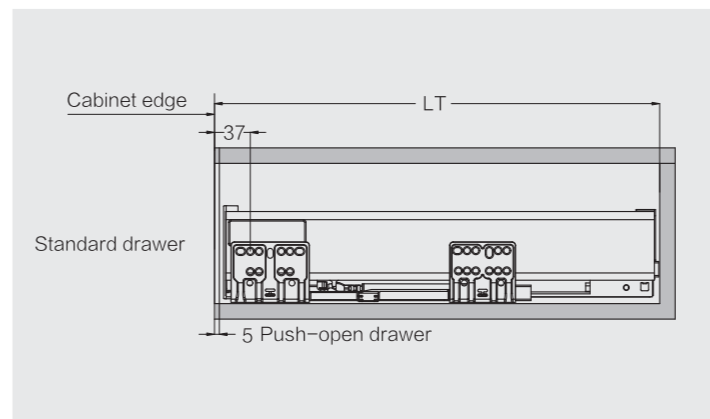
1. Synchronized runners (1 pair: 1 left + 1 right)
2. Drawer Sides (1 pair)
3. Back fixing bracket (1 pair)
4. Front panel connectors (1 pair)
5. Screws (4 pcs)
6. Front panel (length 1100mm)

Space Requirement

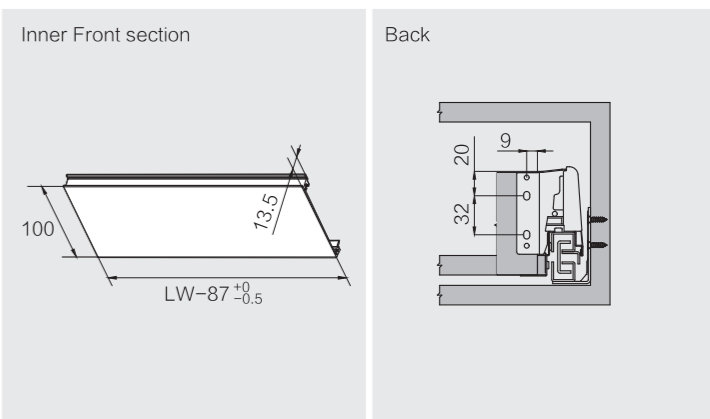


Installation dimensions(mm)

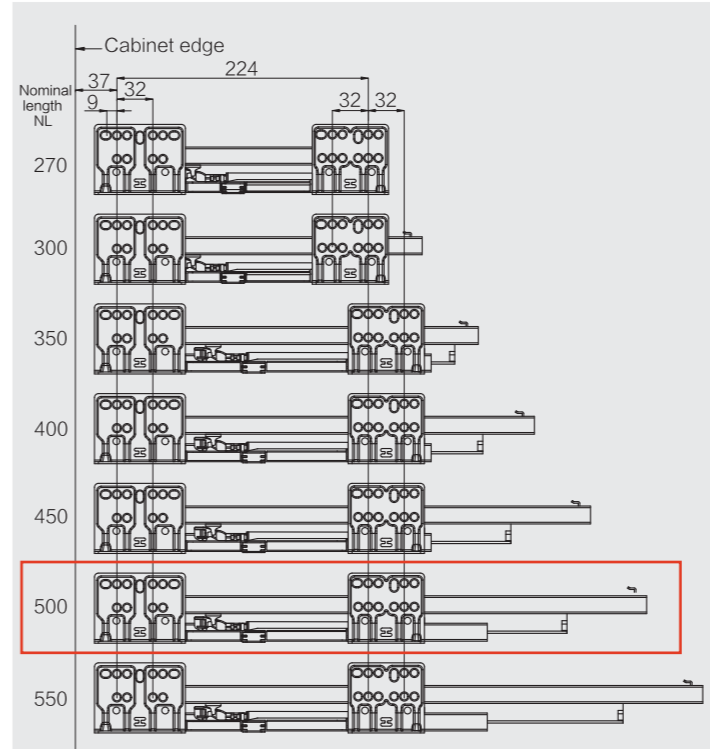
Nominal Slide Length=NL Internal Cabinet Depth=LT=NL+13



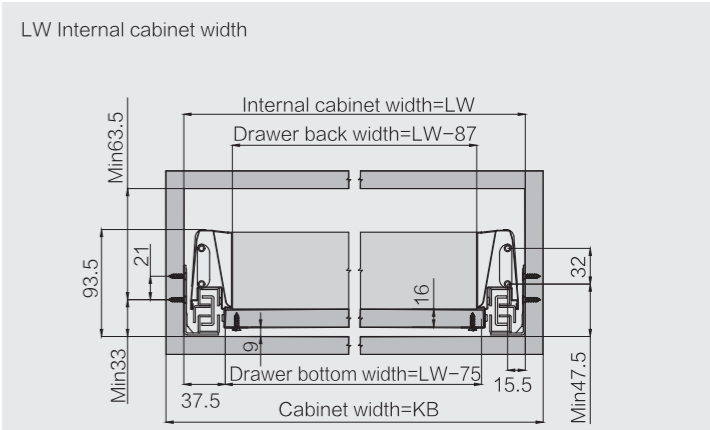
Drawer installation dimensions(mm)



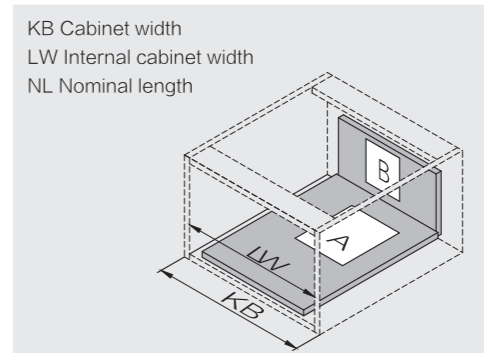
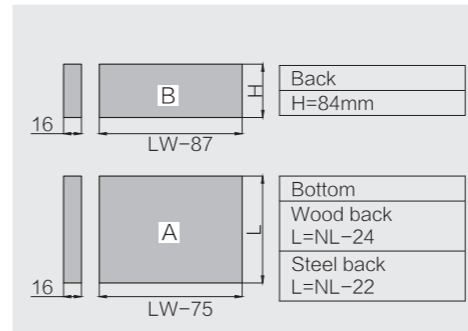
Screw Positions of the Sides(mm)



Installation Dimensions(mm)

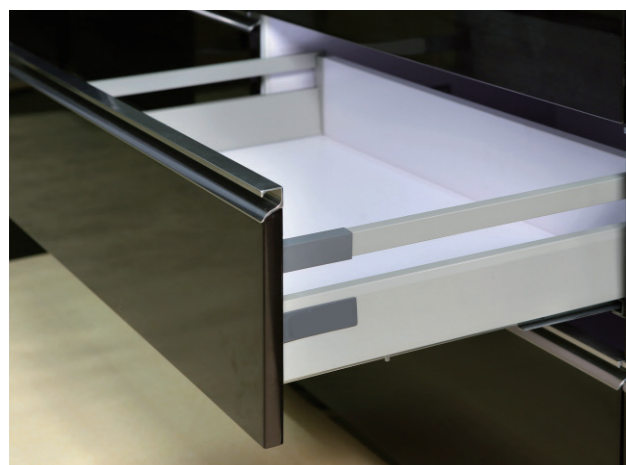


Drawer Back and Bottom Dimensions(mm)



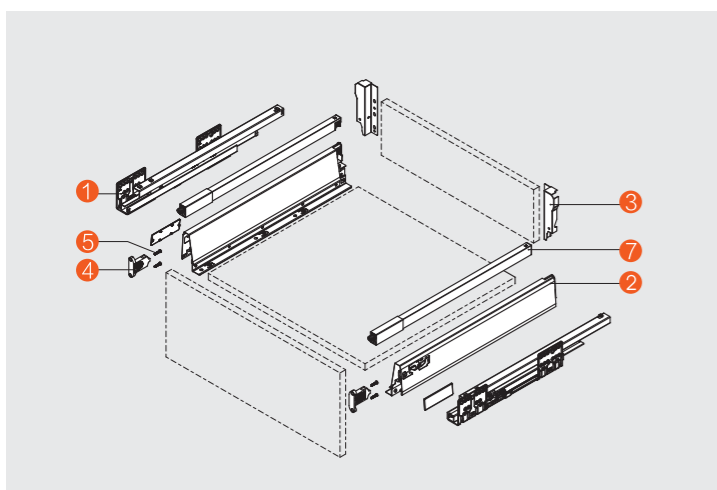
Double Wall Drawer, Medium Drawer Height

Code: 7273005



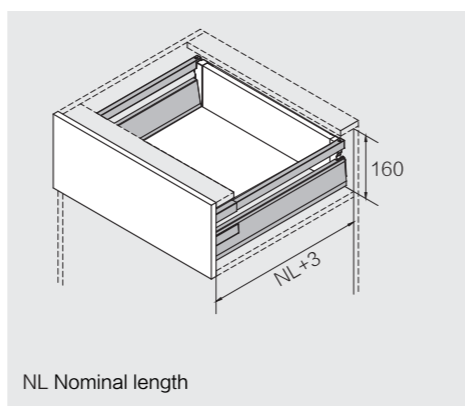
- Synchronized runners
- Loading capacity: 35 kgs
- 3D front panel adjustable
- Finish: Grey colour
- Nominal slide length (NL): 500mm

The basic components



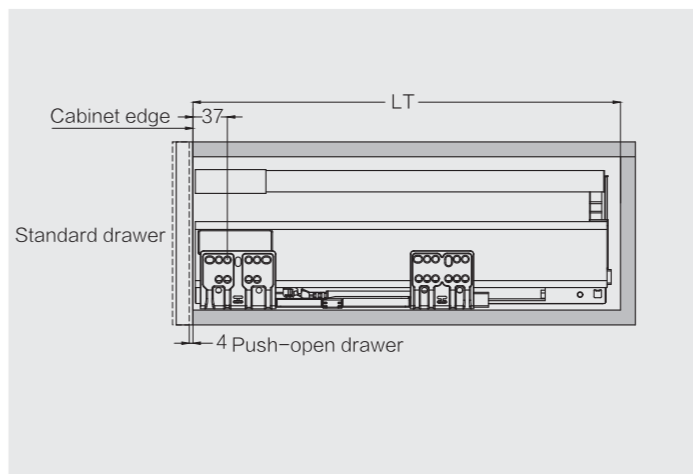
1. Synchronized runners (1 pair: 1 left + 1 right)
2. Drawer Sides (1 pair)
3. Back fixing bracket (1 pair)
4. Front connectors (1 pair)
5. Screws (4 pcs)
7. Square rail (1 pair)

Space Requirement

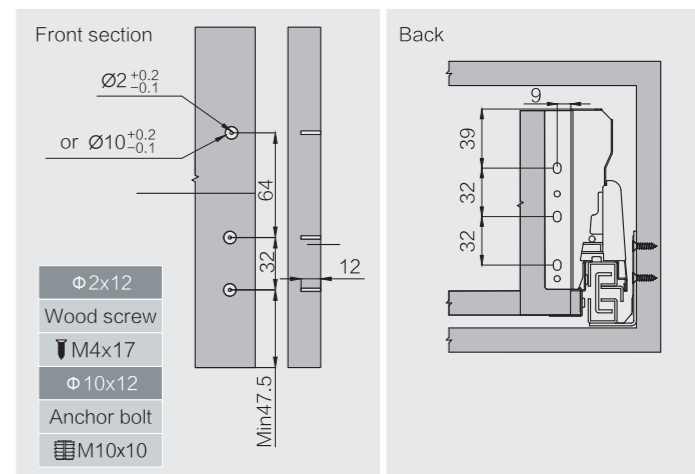


Installation dimensions(mm)

Nominal Slide Length=NL Internal Cabinet Depth=LT=NL+3



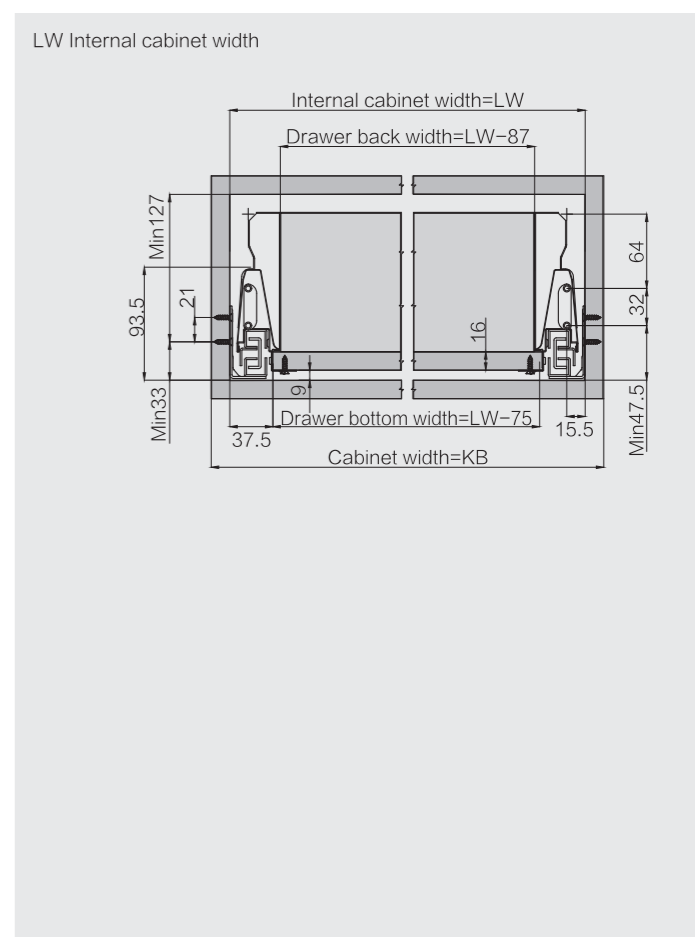
Drawer installation dimensions(mm)



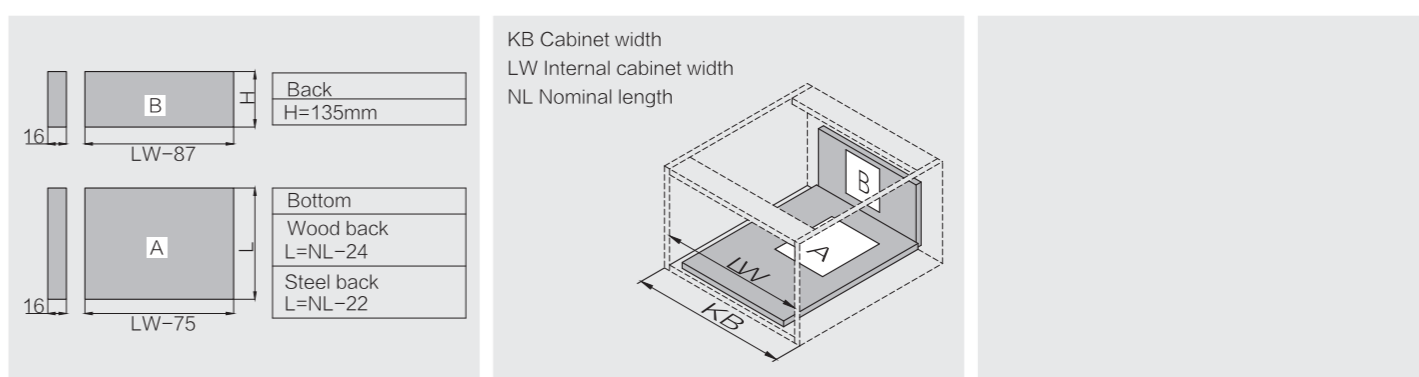
Screw Positions of the Sides(mm)



Installation Dimensions(mm)

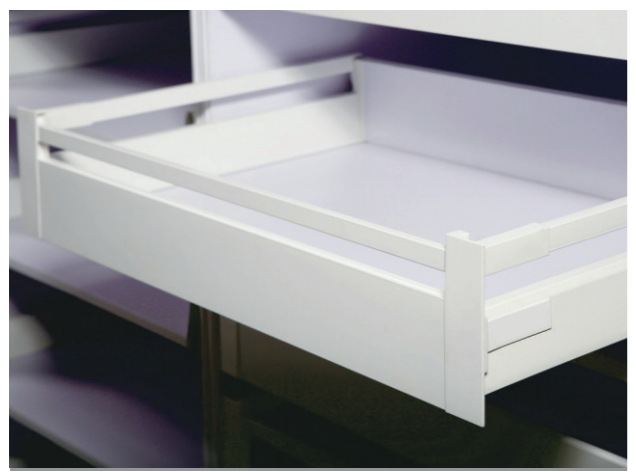


Drawer Back and Bottom Dimensions(mm)

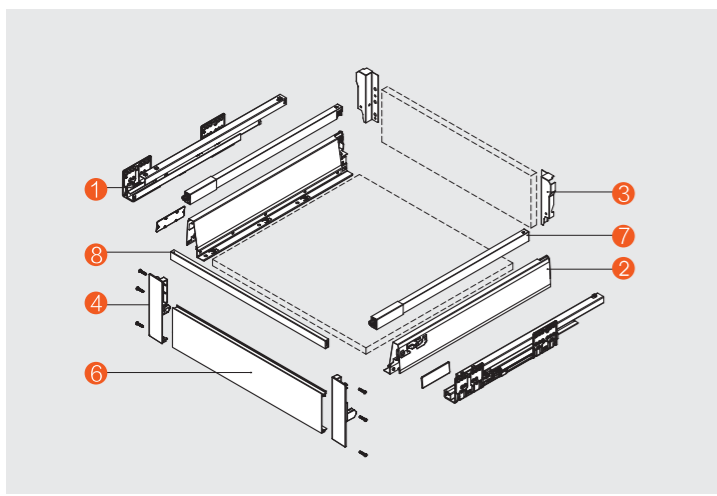


Double Wall Inner Drawer, Medium Drawer Height
Code: 7273019 + 7293901 + 7273916 + 7273915

- Synchronized runners
- Loading capacity: 35 kgs
- 3D front panel adjustable
- Finish: Grey colour
- **Nominal slide length (NL): 500mm**



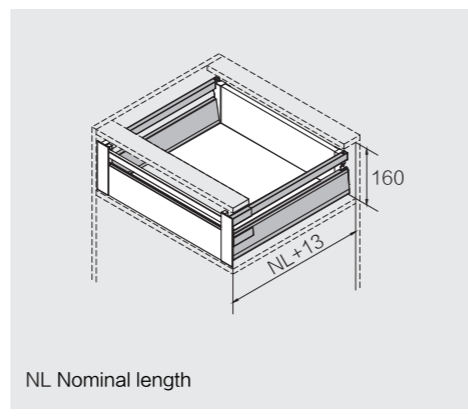
The basic components



Note: Front section Cross Square Rail not included in the kit package

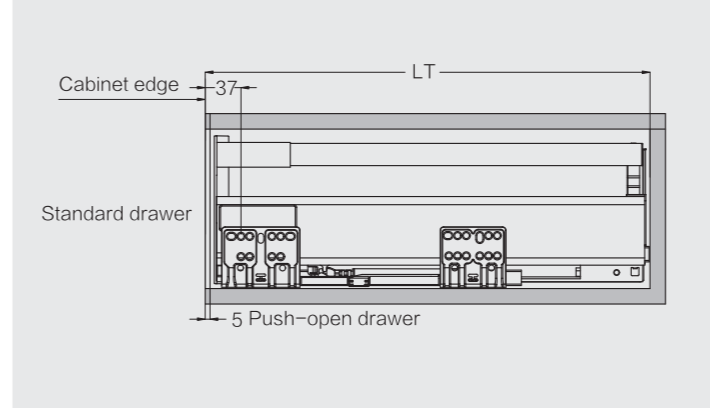
1. Synchronized runners (1 pair: 1 left + 1 right)
2. Drawer Sides (1 pair)
3. Back fixing bracket (1 pair)
4. Front panel connectors (1 pair)
5. Screws (4 pcs)
6. Front panel (length 1100mm)
7. Square rail (1 pair)
8. Cross square rail (length 1100mm)

Space Requirement

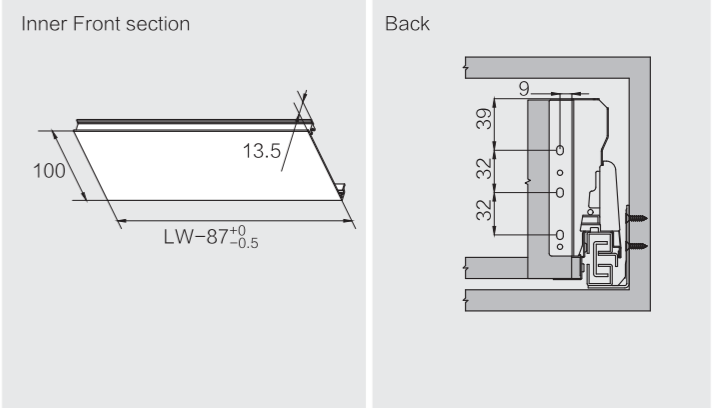


Installation dimensions(mm)

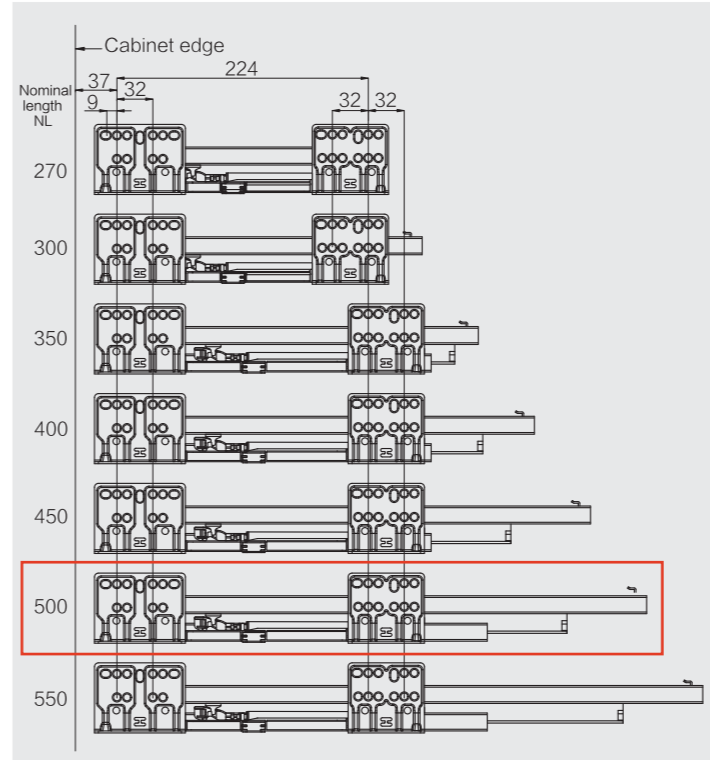
Nominal Slide Length=NL Internal Cabinet Depth=LT=NL+13



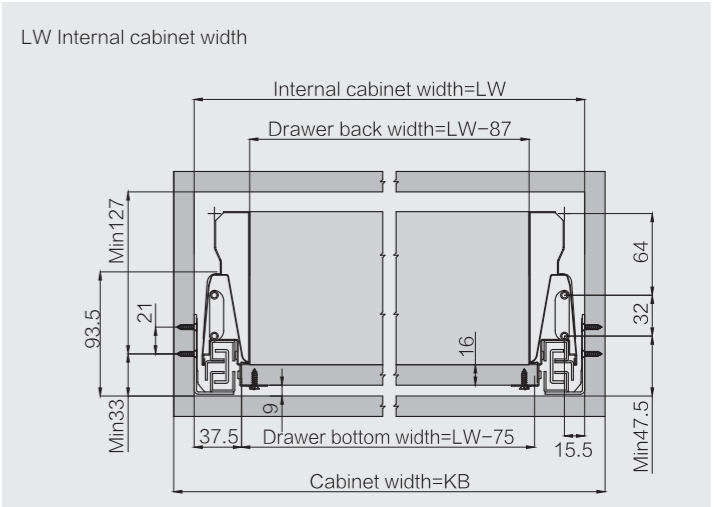
Drawer installation dimensions(mm)



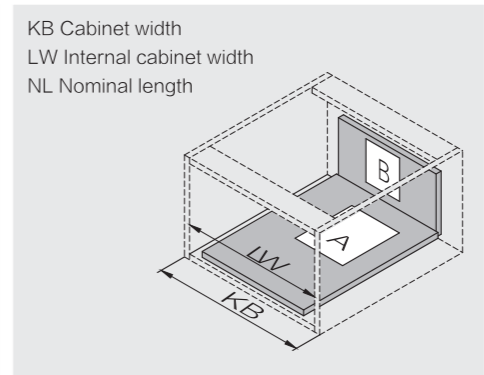
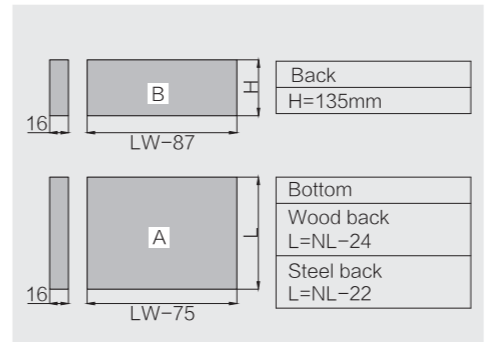
Screw Positions of the Sides(mm)



Installation Dimensions(mm)



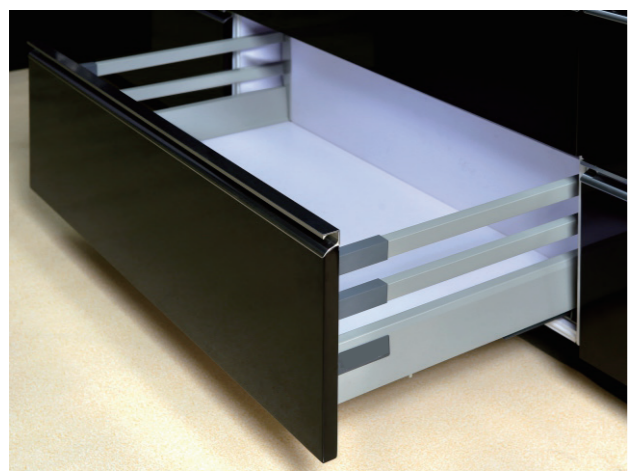
Drawer Back and Bottom Dimensions(mm)



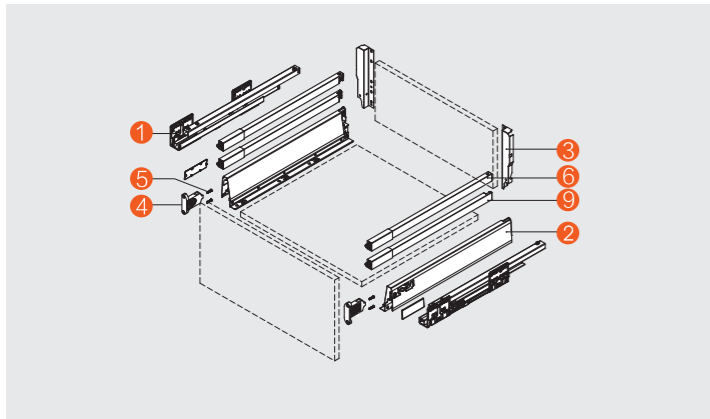
Double Wall Drawer, High Drawer Height

Code: 7273008

- Synchronized runners
- Loading capacity: 35 kgs
- 3D front panel adjustable
- Finish: Grey colour
- Nominal slide length (NL): 500mm

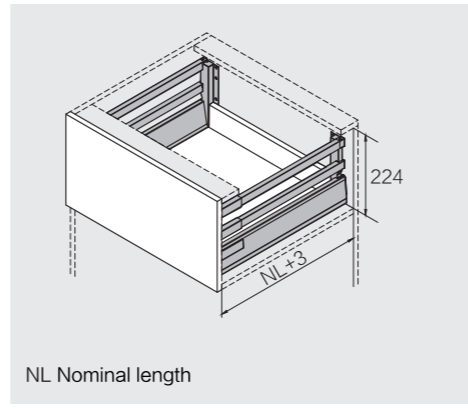


The basic components

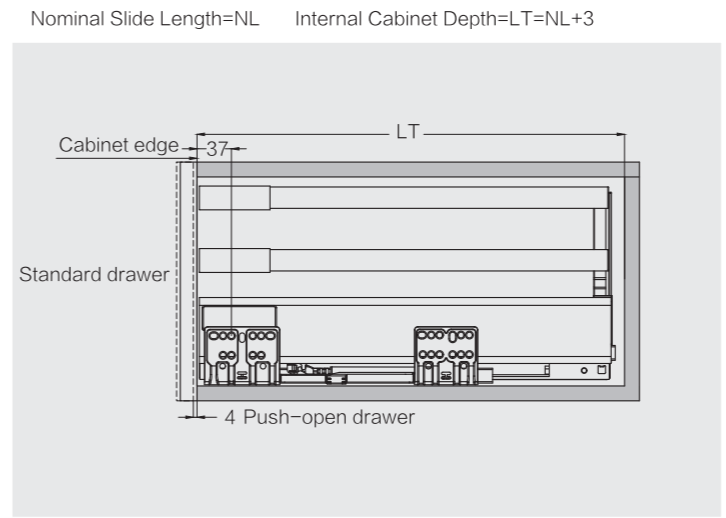


1. Synchronized runners (1 pair: 1 left + 1 right)
2. Drawer Sides (1 pair)
3. Back fixing bracket (1 pair)
4. Front connectors (1 pair)
5. Screws (4 pcs)
6. Top square rail (1 pair)
9. Middle square rail (1 pair)

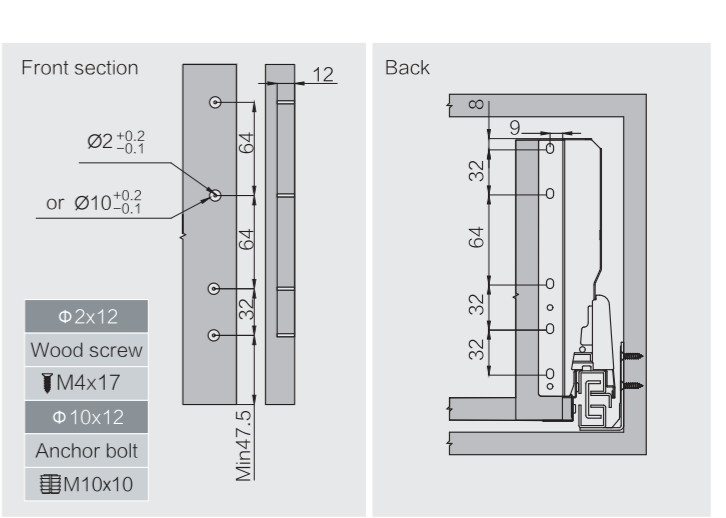
Space Requirement



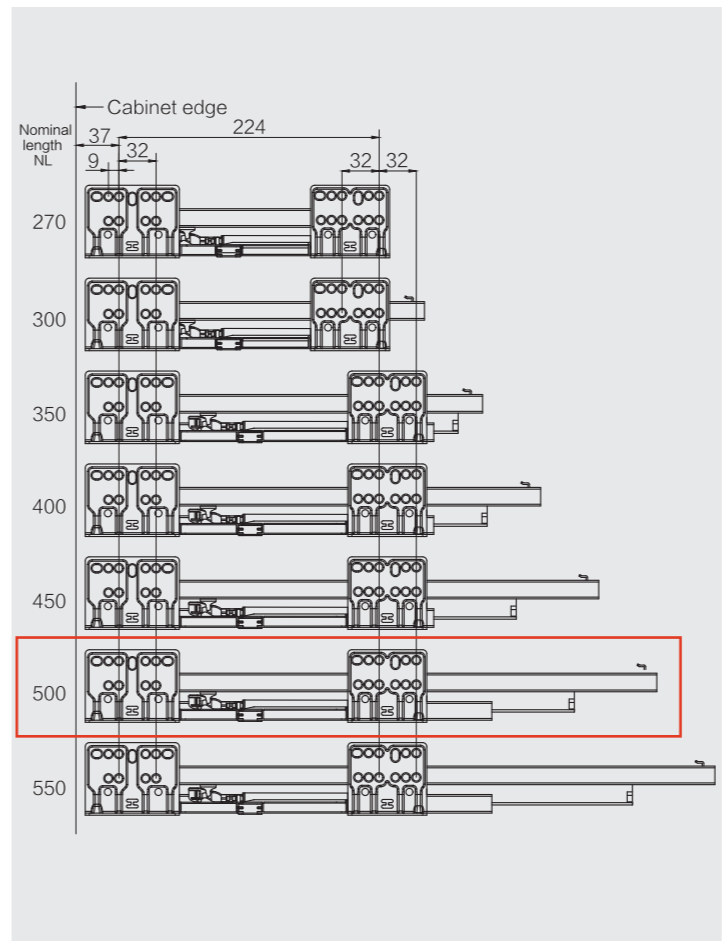
Installation dimensions(mm)



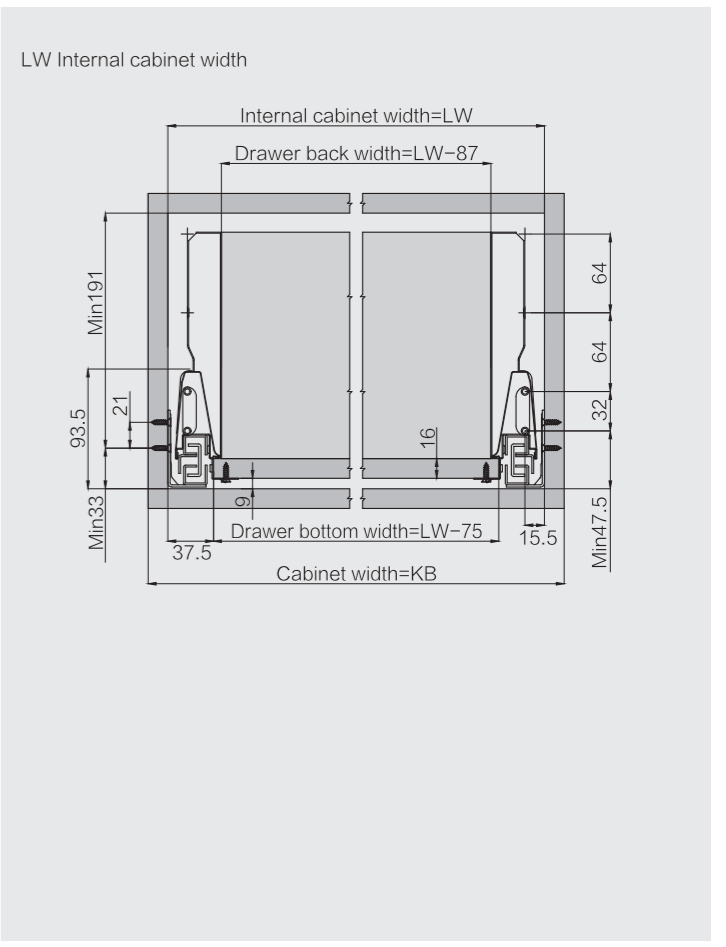
Drawer installation dimensions(mm)



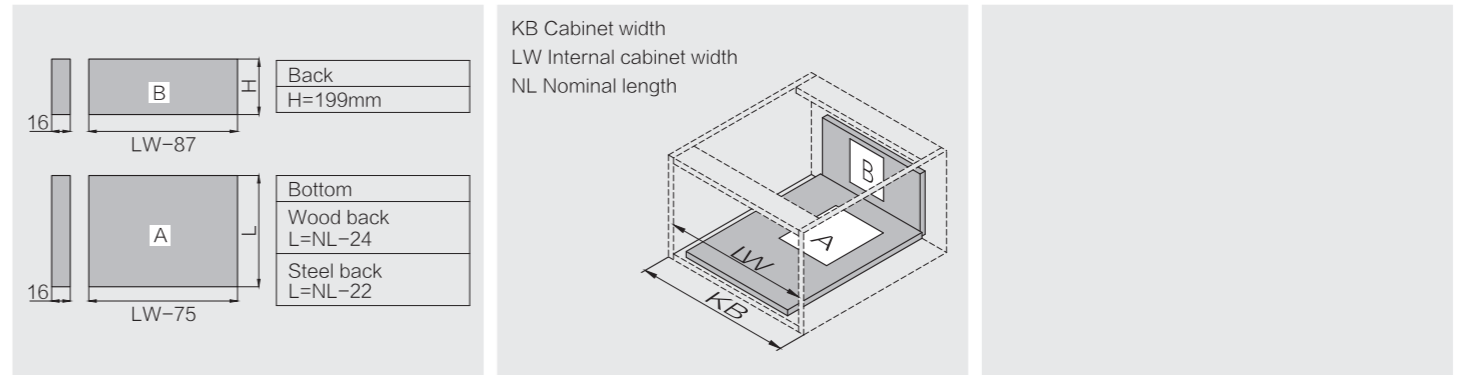
Screw Positions of the Sides(mm)



Installation Dimensions(mm)



Drawer Back and Bottom Dimensions(mm)



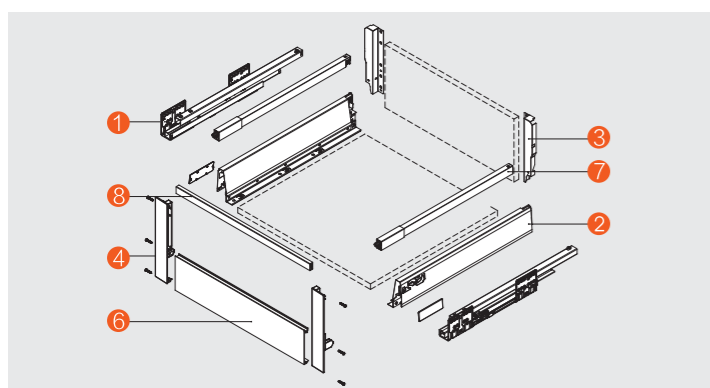
Double Wall Inner Drawer, High Drawer Height

Code: 7273020 + 7293902 + 7273916 + 7273915

- Synchronized runners
- Loading capacity: 35 kgs
- 3D front panel adjustable
- Finish: Grey colour
- **Nominal slide length (NL): 500mm**



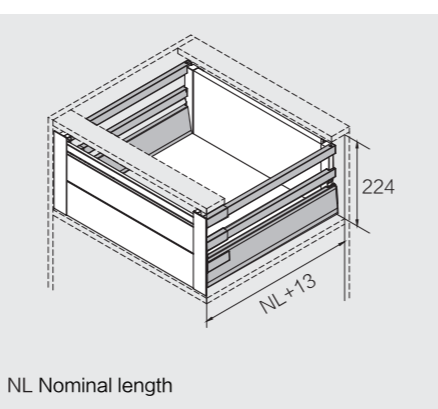
The basic components



Note: Front section, Cross Square Rail not included in the kit package

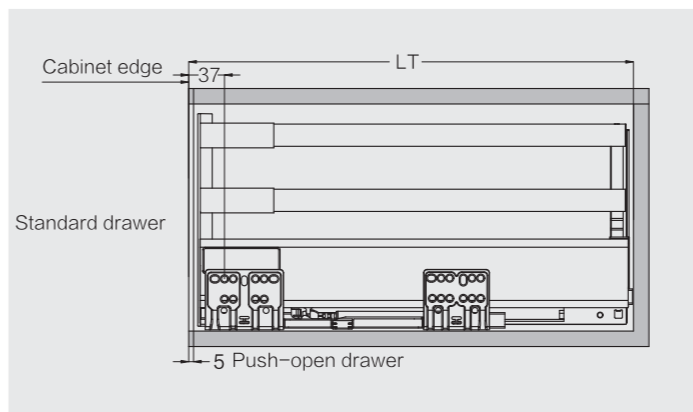
1. Synchronized runners (1 pair: 1 left + 1 right)
2. Drawer Sides (1 pair)
3. Back fixing bracket (1 pair)
4. Front panel connectors (1 pair)
5. Screws (4 pcs)
6. Front panel (length 1100mm)
7. Top square rail (1 pair)
8. Cross square rail (length 1100mm)

Space Requirement

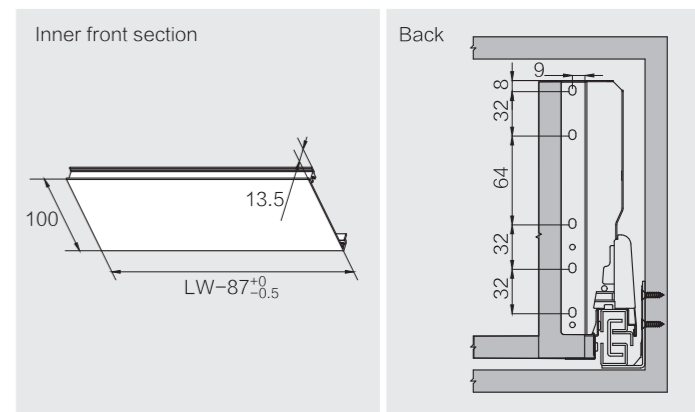


Installation dimensions(mm)

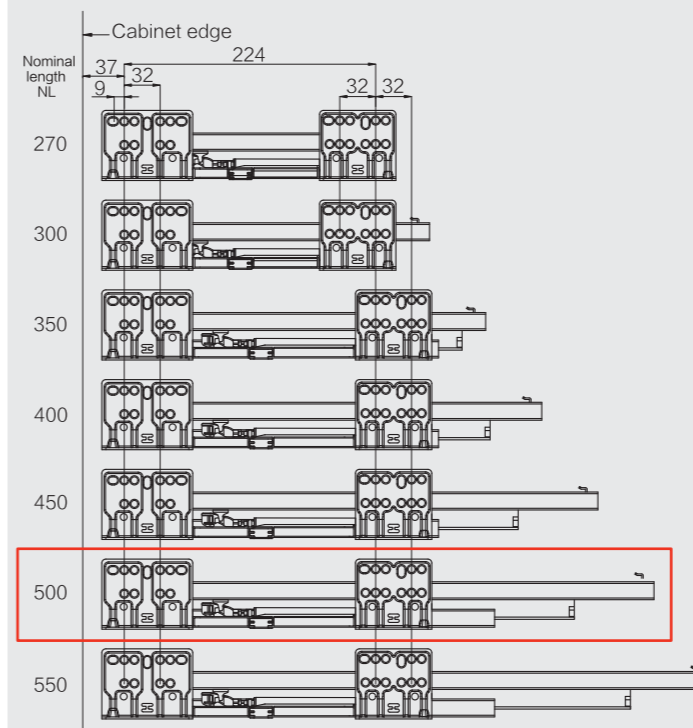
Nominal Slide Length=NL Internal Cabinet Depth=LT=NL+13



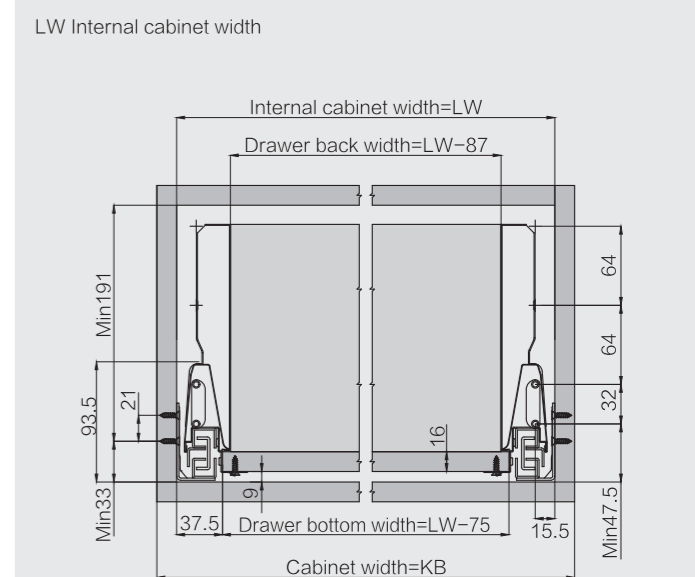
Drawer installation dimensions(mm)



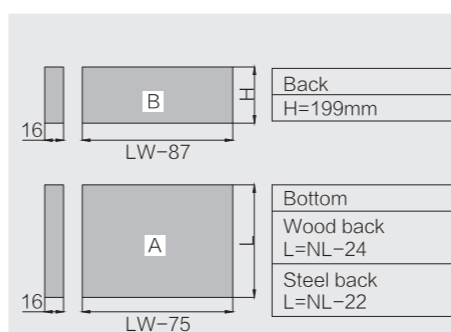
Screw Positions of the Sides(mm)



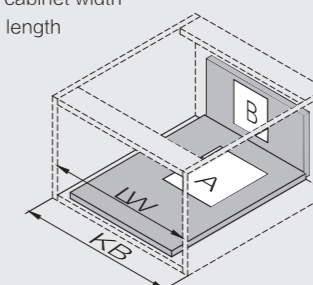
Installation Dimensions(mm)



Drawer Back and Bottom Dimensions(mm)



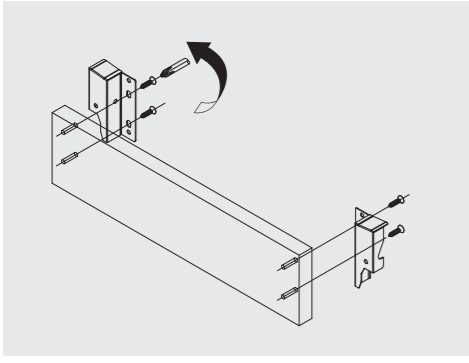
KB Cabinet width
LW Internal cabinet width
NL Nominal length



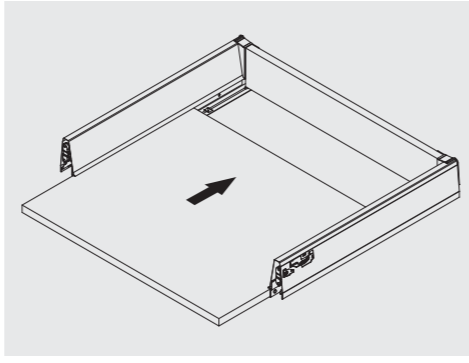
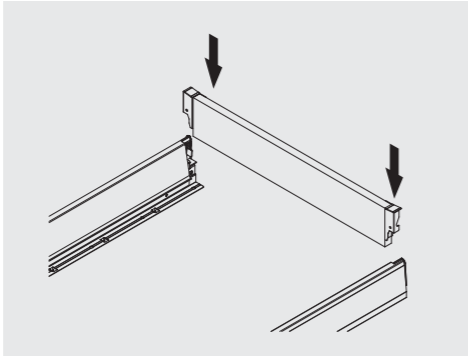
Double Wall Drawer Assembly, Removal and Adjustment

Double Wall Inner Drawer Assembly, Removal and Adjustment

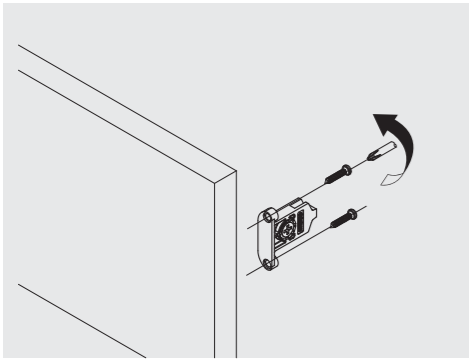
Drawer installation



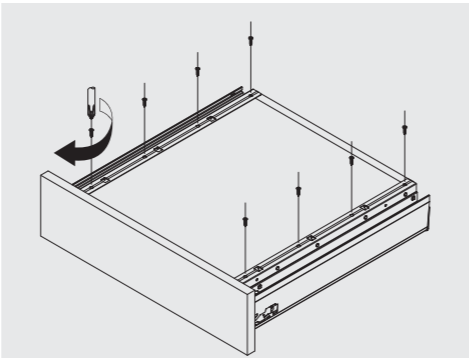
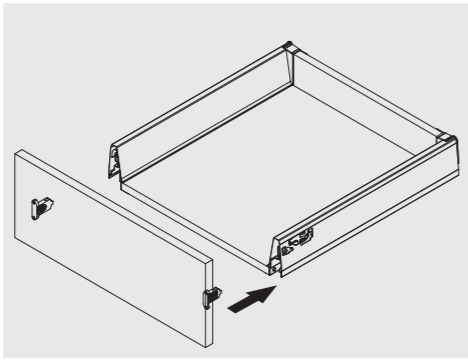
Back assembly



Bottom assembly

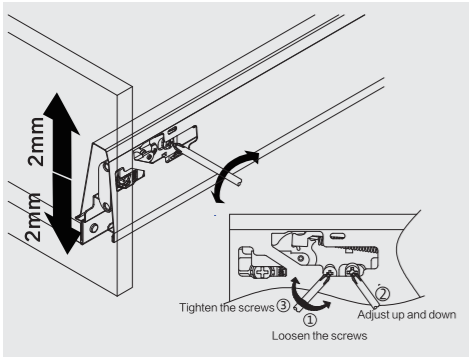


Front assembly

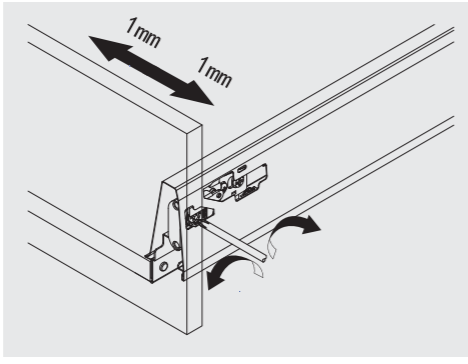


Fix screws

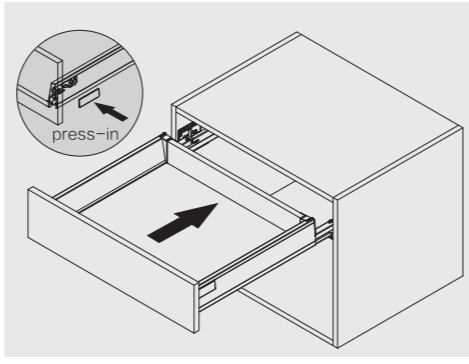
Adjustment



Up&down adjustment

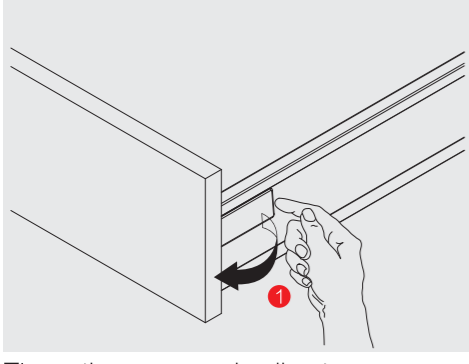


Left&right adjustment

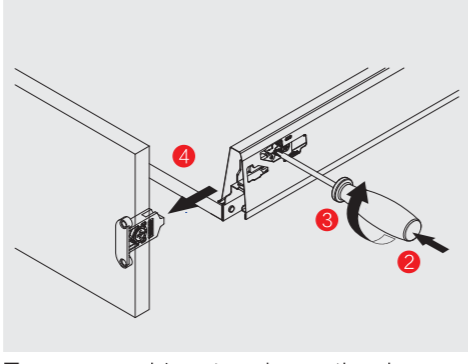


Slide into the cabinet

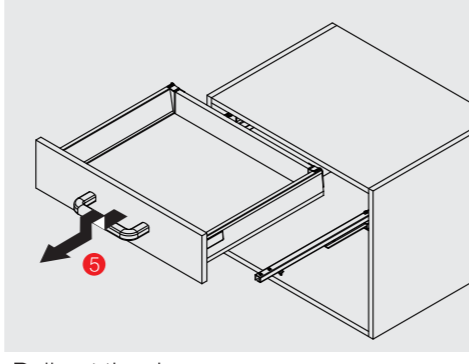
Removal



Tip up the cover and pull out

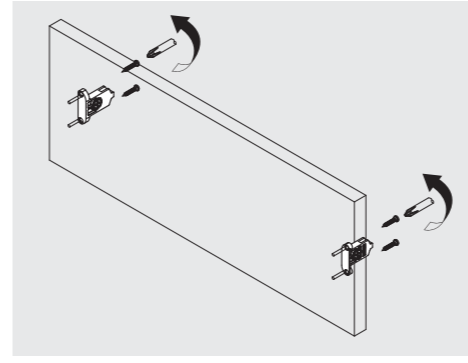


Turn screw driver to release the drawer

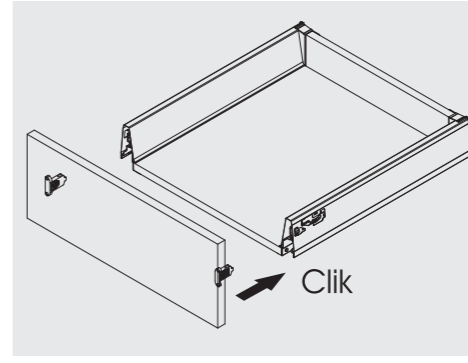


Pull out the drawer

Lower Drawer

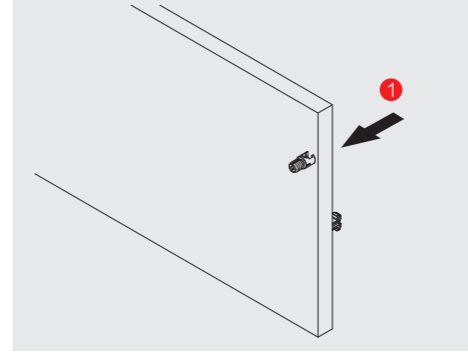


Front assembly

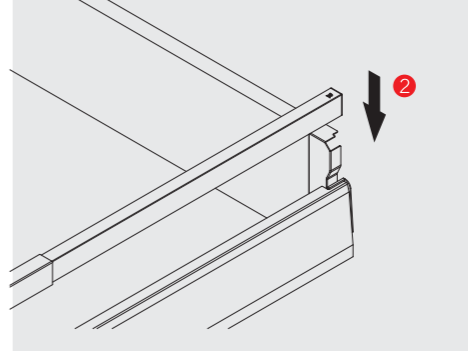


Clik

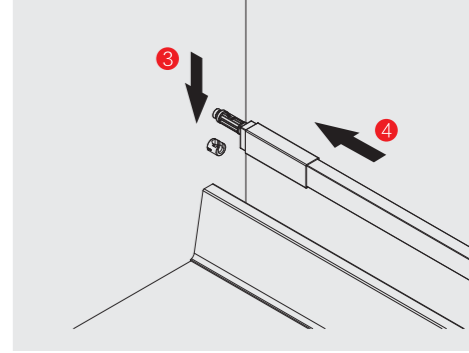
Mid Drawer



Front assembly

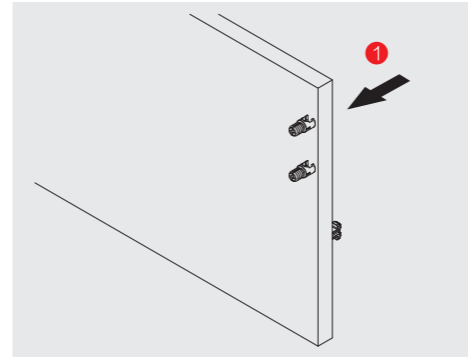


Back assembly

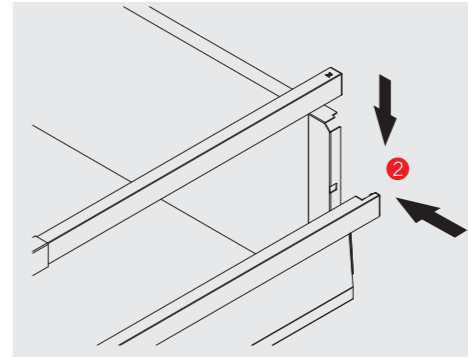


Fit the front

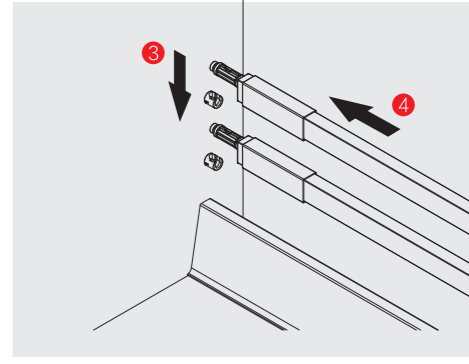
High Drawer



Front assembly

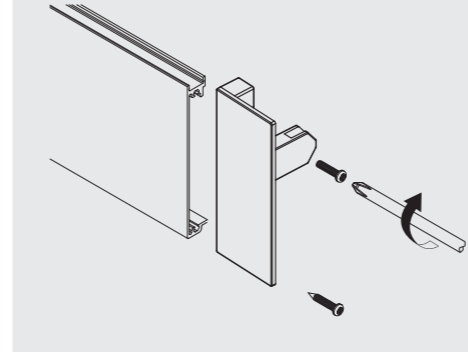


Back assembly

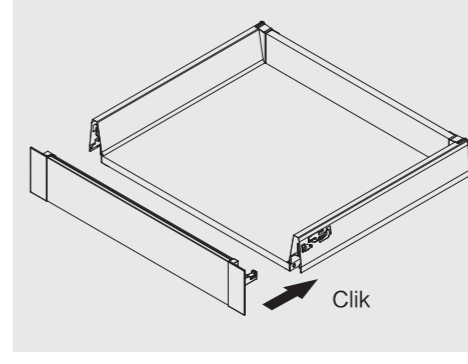


Fit the front

Inner Drawer



Front assembly

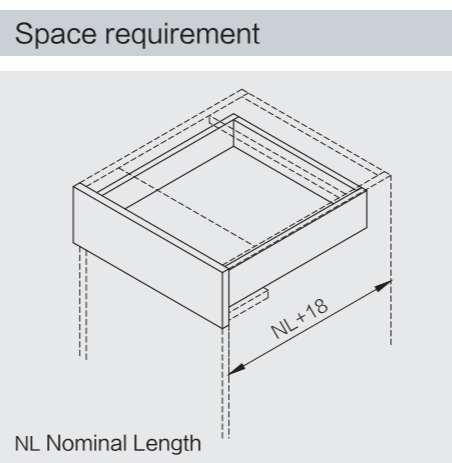


Clik

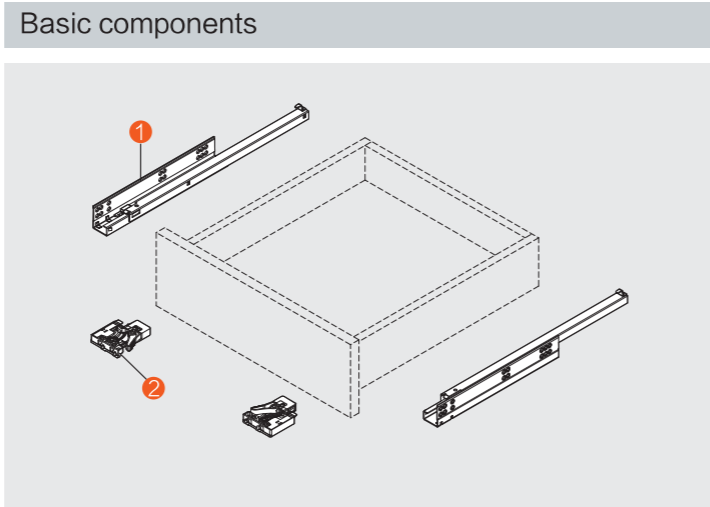
Soft Closing Single Extension Undermount Slide With Locking Brackets



- Perfect light, smooth, silent self & soft close system
- Quick and easy assembling and dismantle the drawer
- Height adjustment 0 ~ +3mm
- Loading capacity 25KG

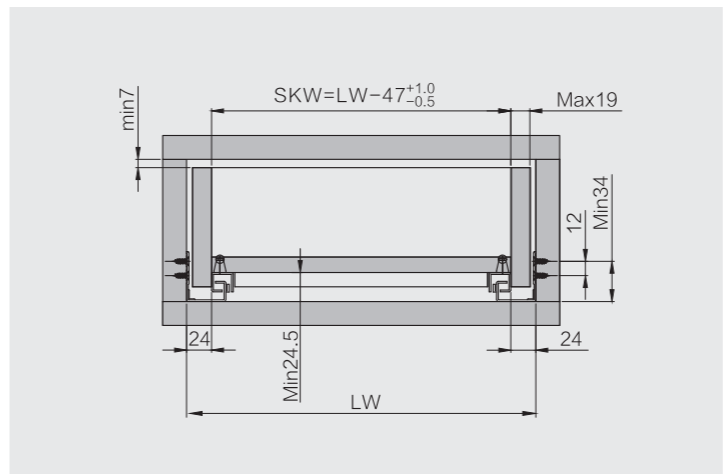


IM code	SAP code	Nominal Length
7272130	220001112	300mm
7272135	220001113	350mm
7272140	220001114	400mm
7272145	220001115	450mm
7272150	220001116	500mm

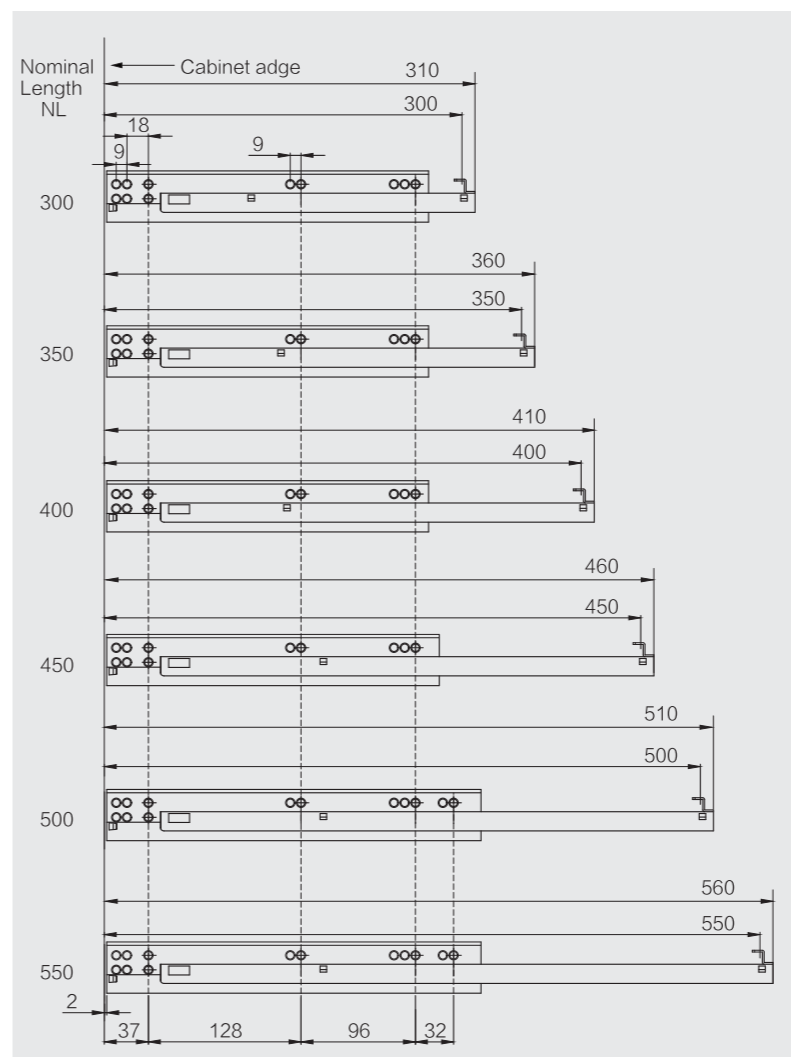


Installation Dimensions (mm)

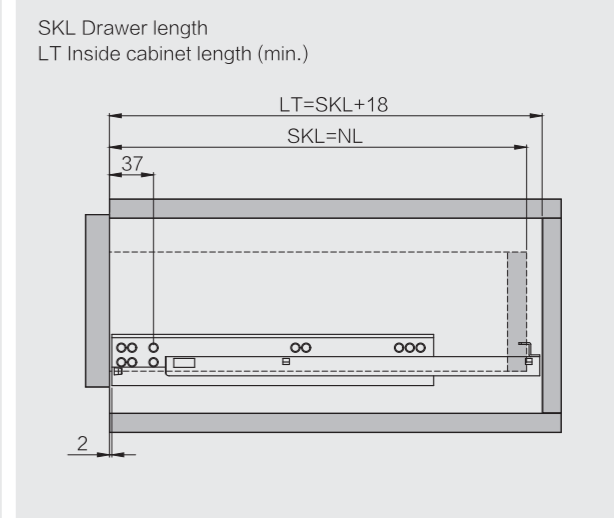
Installation for drawer with max 19mm thick drawer side
 LW=Internal Cabinet Width SKW=Internal drawer Width



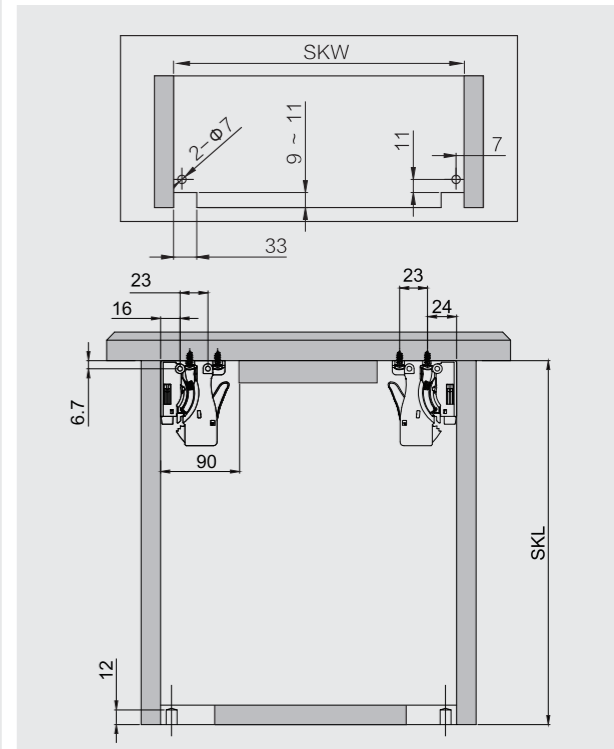
Installation Dimensions (mm)



Drawer Dimensions (mm)



Drawer box specification (mm)

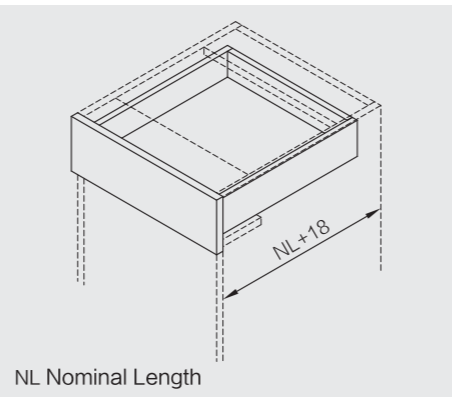


Soft Closing Full Extension Undermount slide With 3D Locking Brackets



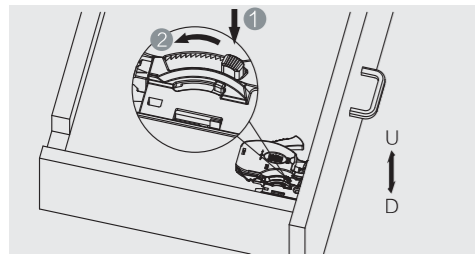
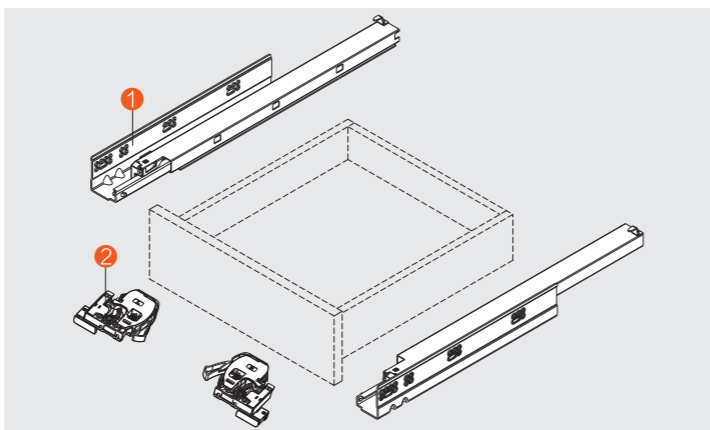
- Perfect light, smooth, silent self & soft close system
- Quick and easy assembling and dismantle the drawer
- Height adjustment 0~+3mm
- * Side adjustment ± 1.5mm
- Depth (In and Out) adjustment 0~+3mm
- Loading capacity 30KG

Space requirement

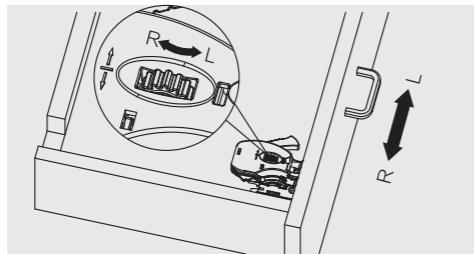


IM code	SAP code	Nominal Length
7272430	220001117	300mm
7272435	220001118	350mm
7272440	220001119	400mm
7272445	220001120	450mm
7272450	220001121	500mm

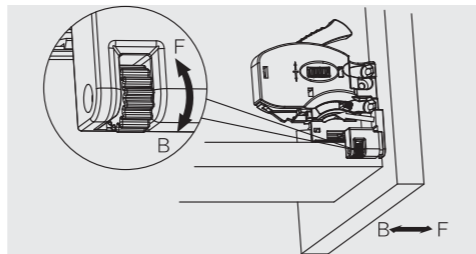
Basic components



Height adjustment 0~+3mm



* Side adjustment ± 1.5mm

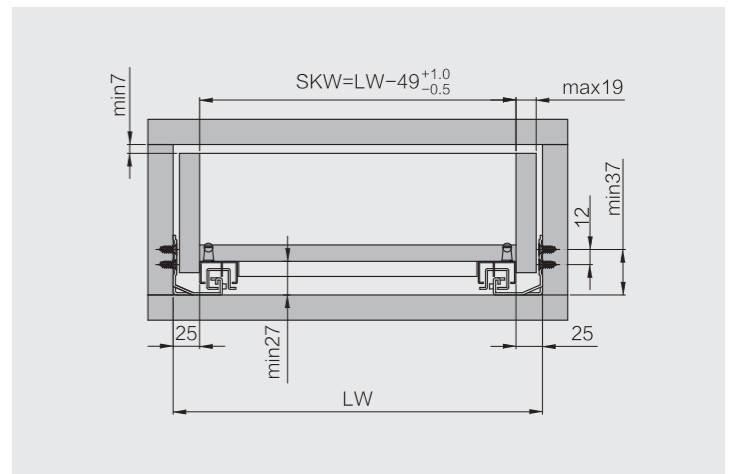


Depth (In and Out) adjustment 0 ~ +3mm

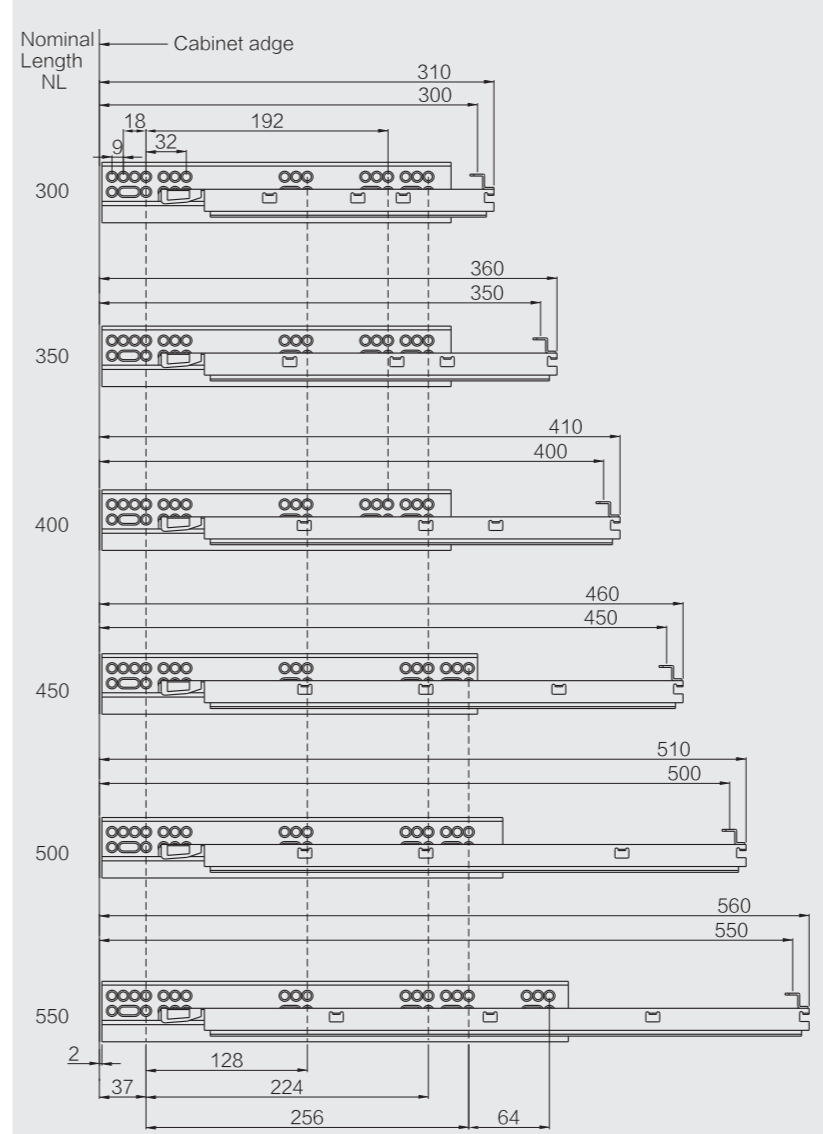
* Side adjustment ± 1.5mm ,provided that the width of the drawer is within tolerance.

Installation Dimensions (mm)

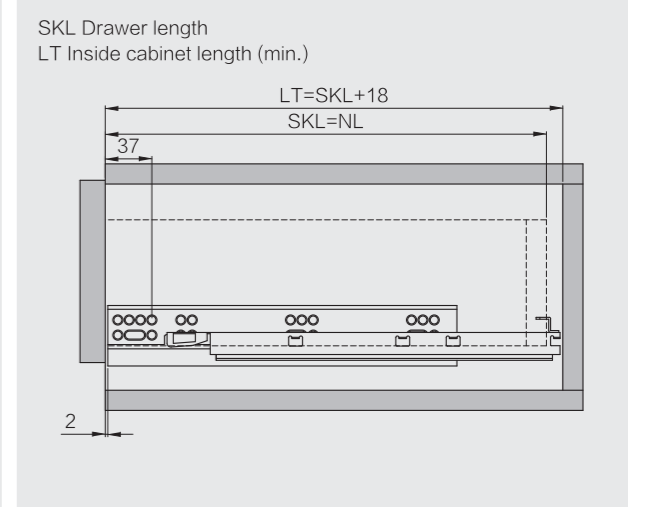
Installation for drawer with max 19mm thick drawer side
LW=Internal Cabinet Width SKW=Internal drawer Width



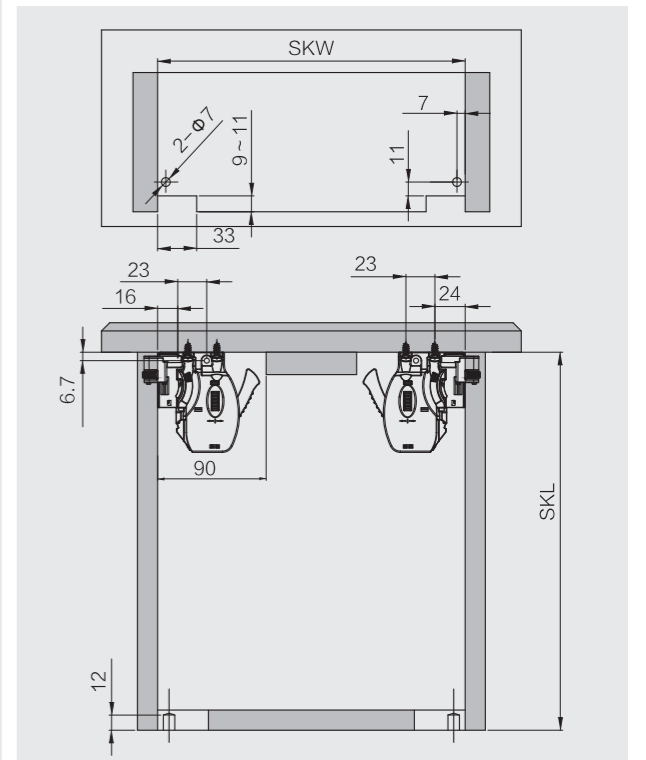
Installation Dimensions (mm)



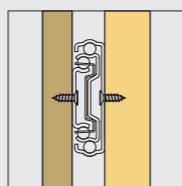
Drawer Dimensions (mm)



Drawer box specification (mm)



Side clearance $12.7^{+0.1}_{-0.2}$ mm (1/2")
Loading capacity 45kg(100lbs)



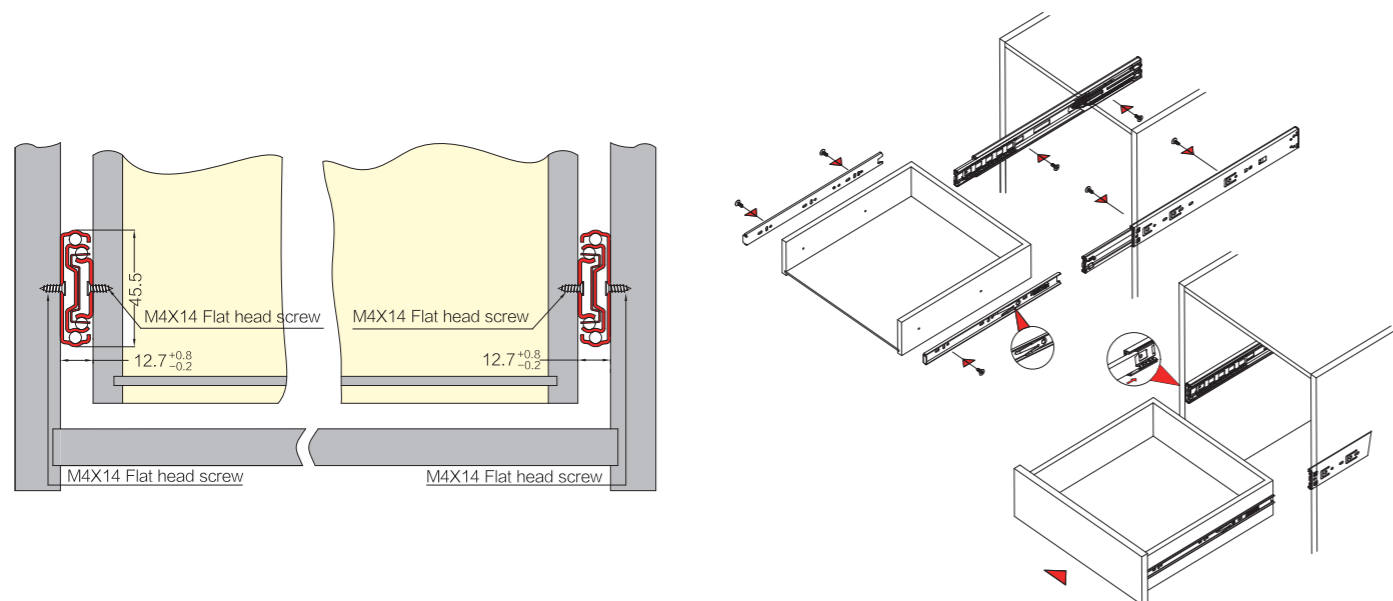
Suitable for wooden cabinets



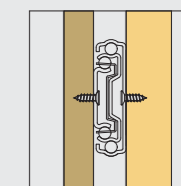
- Application: General home furniture or other drawer applications.
- Feature: Full extension. Lever disconnect for drawer removal. Less noise at closing and opening.
- Loading capacity: 45KGS/100lbs.
- Material: Cold rolled steel.
- Finishes: Electro-zinc with bright, yellow, blue or black oxidized.
- Size: 300mm-700mm.
- Side clearance: minimum 12.5mm; Maximum 13.5mm. The ultimate clearance 12.7mm-13.2mm.
- Soft closing time: 1.2 - 1.8s.
- Opening force: 2.4 - 3kgf/pair
- Soft closing distance: 40mm

IM code	SAP code	Nominal Length
7271430	220001122	300mm
7271435	220001123	350mm
7271440	220001124	400mm
7271445	220001125	450mm
7271450	220001126	500mm

Assembly

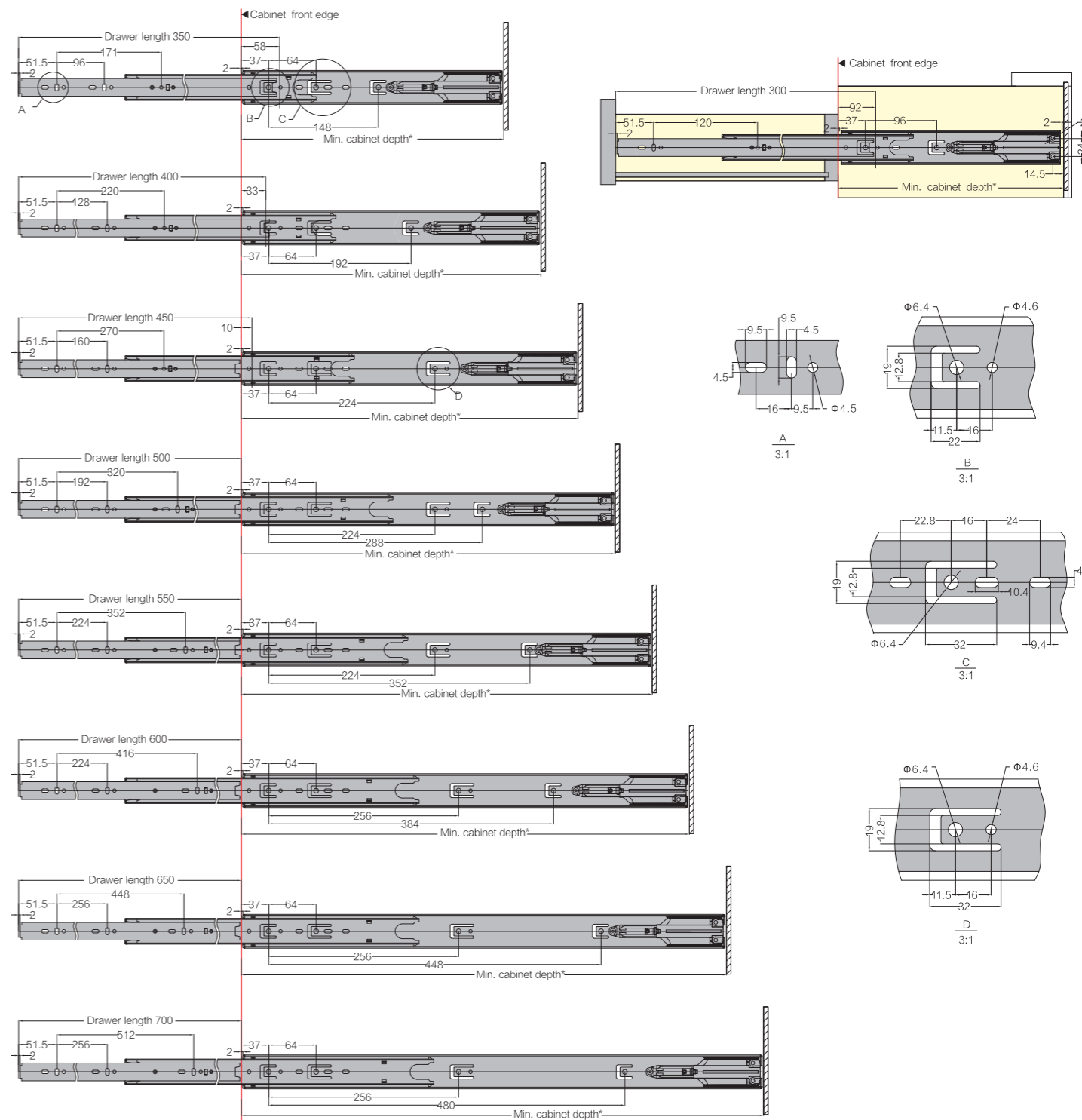


Side clearance $12.7^{+0.1}_{-0.2}$ mm (1/2")
Loading capacity 45kg(100lbs)



Suitable for wooden cabinets

Hole pattern for drawers and cabinets



*Min. cabinet depth = drawer length + 4

Full extension over travel ball bearing slide
Side clearance $12.7^{+0.1}_{-0.2}$ mm (1/2")
Loading capacity 45kg(100lbs)



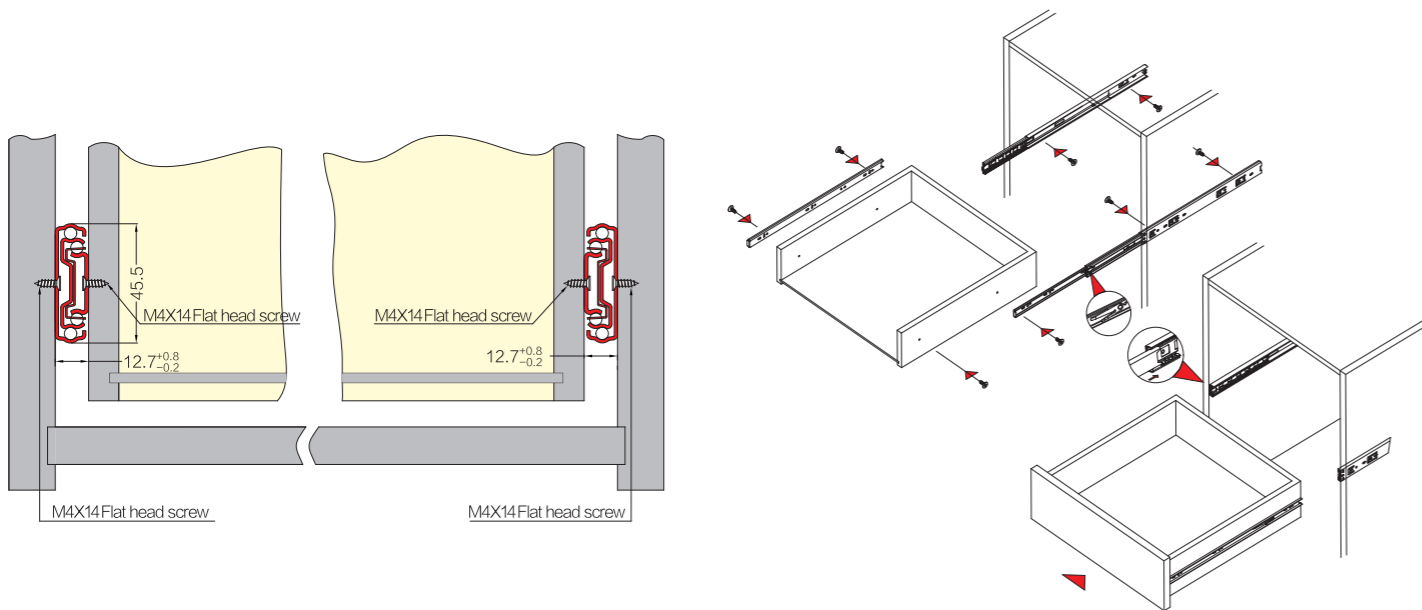
Suitable for wooden cabinets

- Application: Office furniture, general home furniture or other drawer applications.
- Feature: Full extension. Lever disconnect for drawer removal. Less noise at closing and opening.
- loading capacity: 45KGS/100lbs.
- Material: Cold rolled steel.
- Finishes: Electro-zinc with bright, yellow, blue or black oxidized.
- Size: 250mm-700mm.
- Side clearance: minimum 12.5mm;Maximum 13.5mm. The ultimate clearance 12.7mm-13.2mm.
- Opening force: 2.4-3.0kg.f for 1 pair.



IM code	SAP code	Nominal Length
7271330	220001127	300mm
7271335	220001128	350mm
7271340	220001129	400mm
7271345	220001130	450mm
7271350	220001131	500mm

Assembly

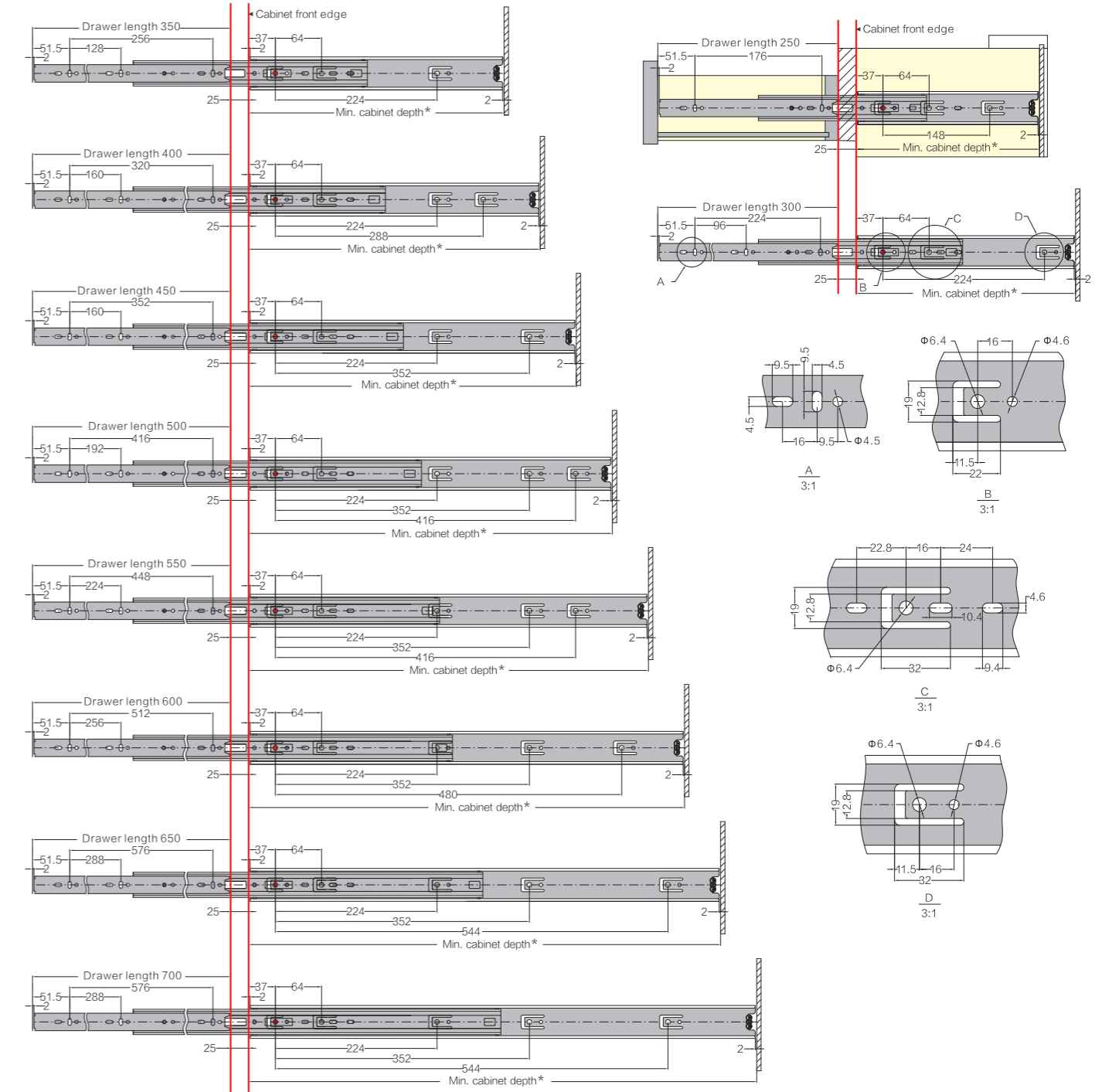


Full extension over travel ball bearing slide
Side clearance $12.7^{+0.1}_{-0.2}$ mm (1/2")
Loading capacity 45kg(100lbs)



Suitable for wooden cabinets

Hole pattern for drawers and cabinets



*Min. cabinet depth = drawer length +4