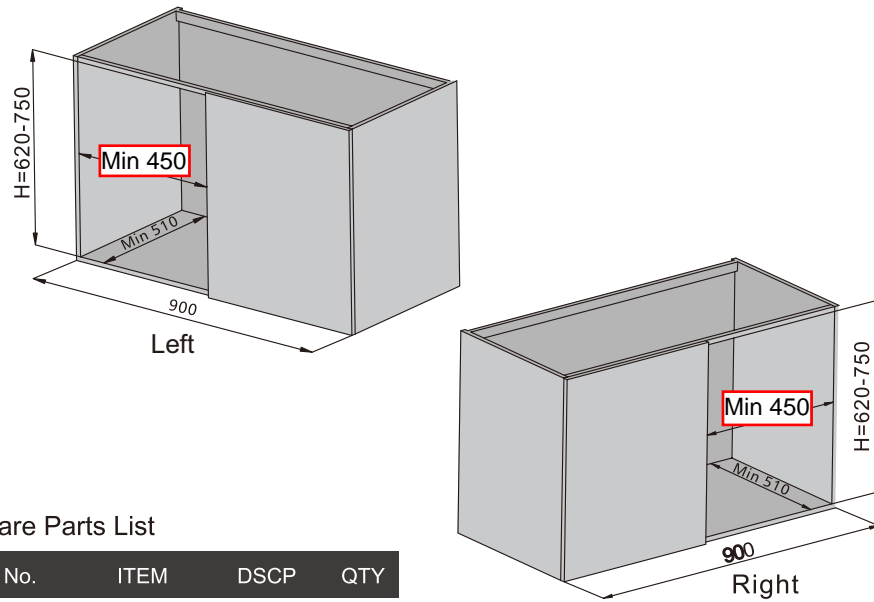












**SOFT-STOP MAGIC CORNER
INSTRUCTION MANUAL**






1.0 CABINET MATCHING ILLUSTRATION

Firstly check and make sure your cabinet is matching the items (See below)



Spare Parts List

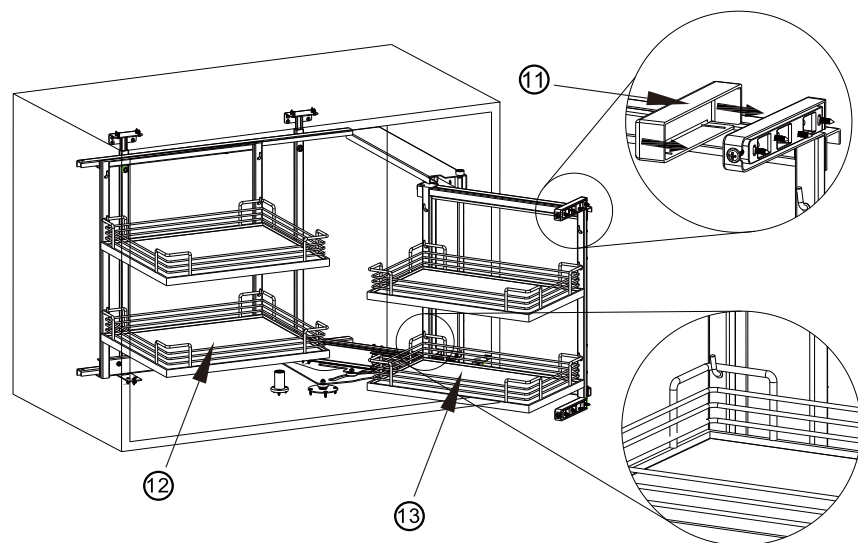
No.	ITEM	DSCP	QTY
①		ST3.5x16	50
②		Limiter	1
③		Door Plug-in Part	1Pair
④		Door Fixing Part	2
⑤		Template	1
⑥		Rear frame connecting part	2
⑦		Rear Frame	1
⑧		Side Fixing Bracket	1

No.	ITEM	DSCP	QTY
⑨		Swivel Frame	1
⑩		Swivel Connection	1
⑪		Decorative Cover	1Pair
⑫		Large Tray	2
⑬		Small Tray	2

The Intallation Manul Is For Bellow Cabinet Size:

NAME	CABINET	PRODUCT SIZE
Soft Stop Magic Corner(Left)	900 mm	857*502*(620-750)
Soft Stop Magic Corner(Right)	900 mm	857*502*(620-750)

13.0 TRAYS HANGING AND DECORATIVE COVER ILLUSTRATION

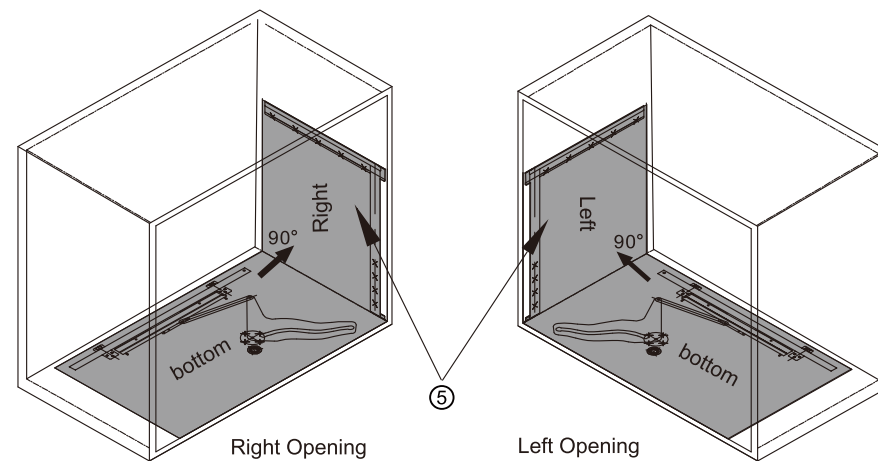


2.0 DRILLING TEMPLATE ILLUSTRATION

As illustrated, fold the template by the dot line and position in the cabinet

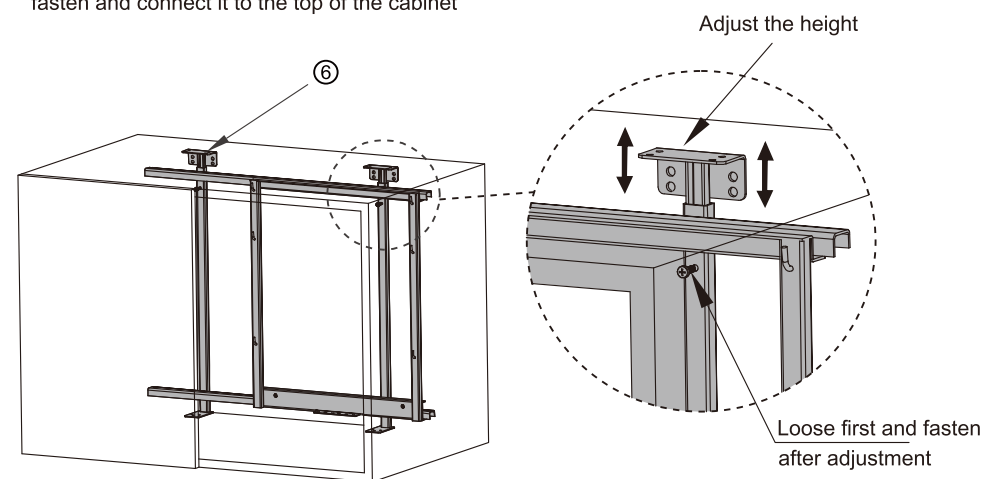
Drill holes with $\phi 2.5$ accordingly

Remark: The template has to be aligned to the cabinet edge



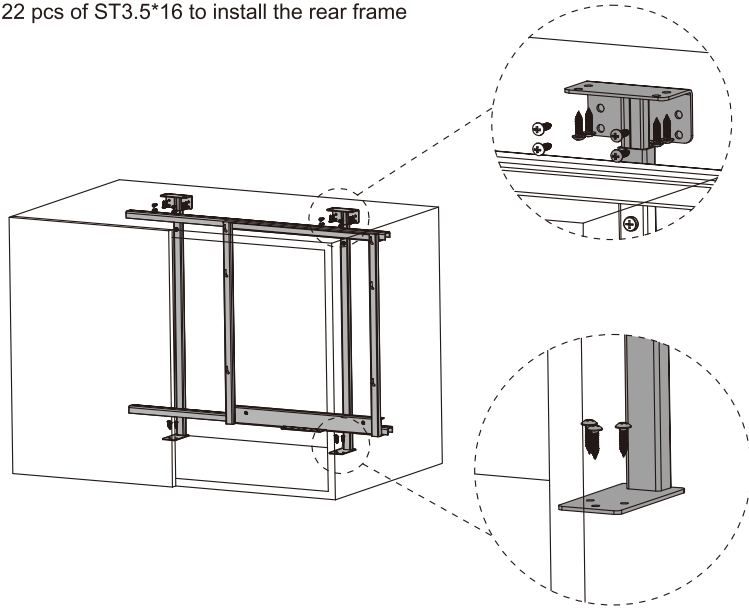
3.0 REAR FRAME ADJUSTING BRACKET ILLUSTRATION

Loose the 2 screws as illustrated below, adjust the bracket height, fasten and connect it to the top of the cabinet



4.0 RARE FRAME FIXING ILLUSTRATION

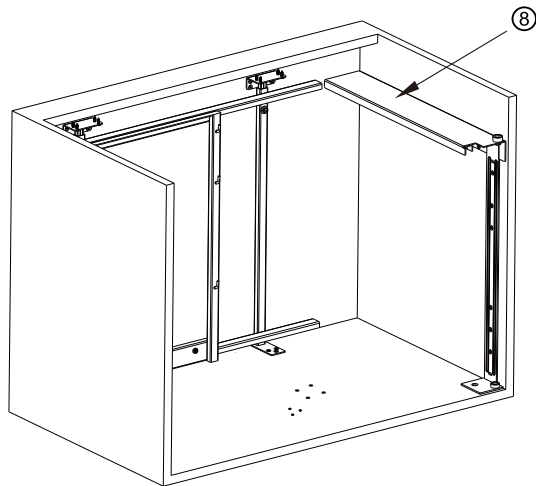
Use 22 pcs of ST3.5*16 to install the rear frame



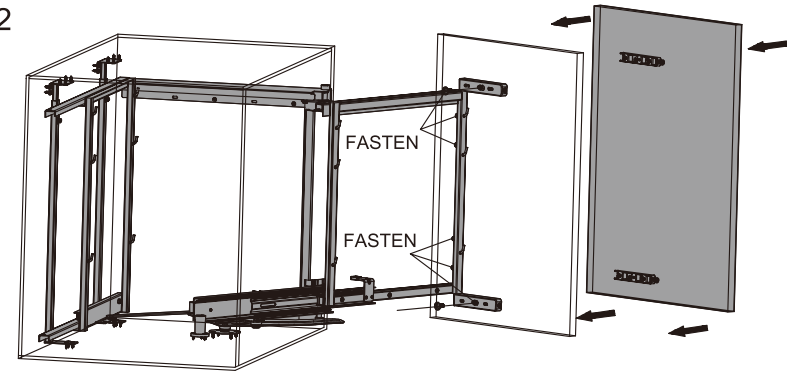
5.0 SIDE SWIVEL FRAME FIXING ILLUSTRATION

Use 12 pcs of ST3.5*16 to install the side swivel frame

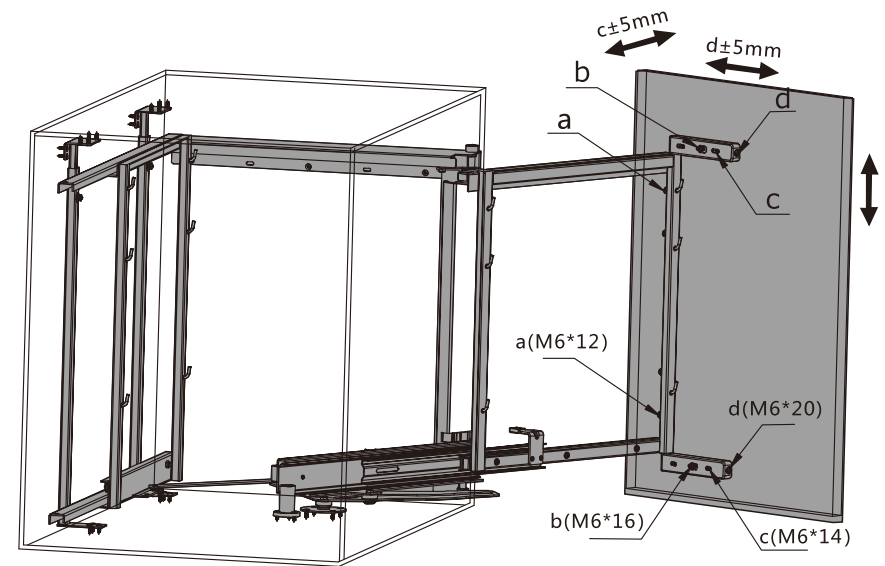
5.1



11.2



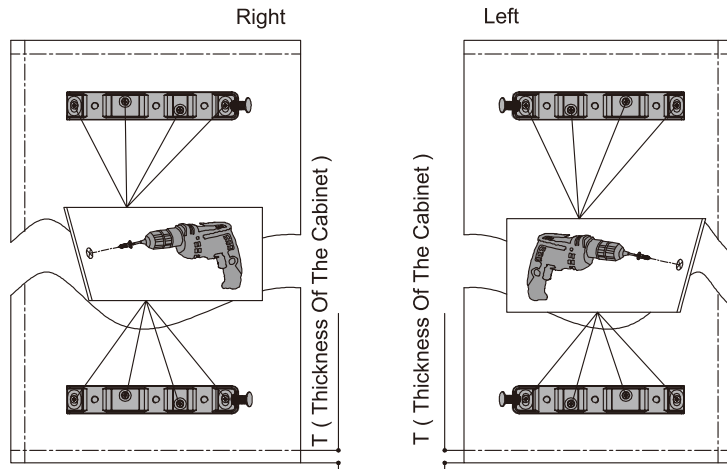
12.0 DOOR ADJUSTMENT ILLUSTRATION



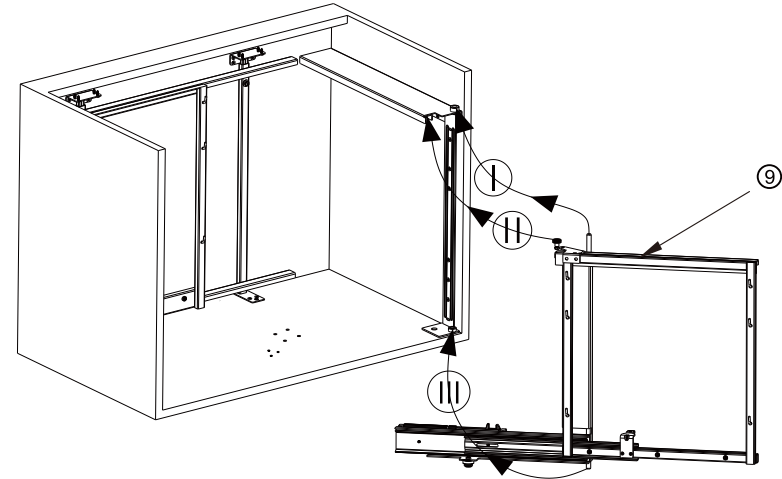
- a:Loose a to vertically adjust the door
- b:Fasten the door
- c:Fasten or loosen c to adjust the tilt of the door $\pm 1^\circ$, make sure to loose b before c
- d:Loose a to horizontally adjust the door,make sure to loose b before d

10.0 ►► INSTALLATION OF DOOR BRACKET

Use 8 pcs of ST3.5*16 to install the door bracket

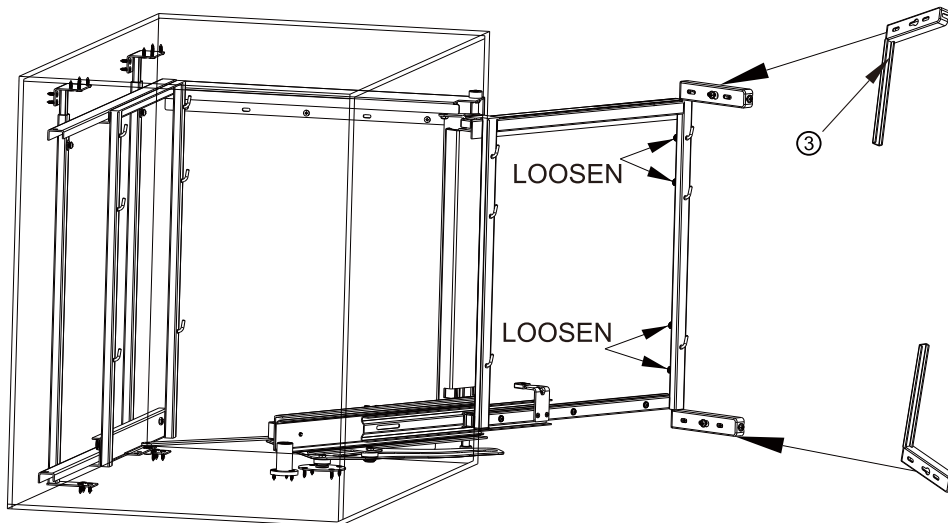


5.2

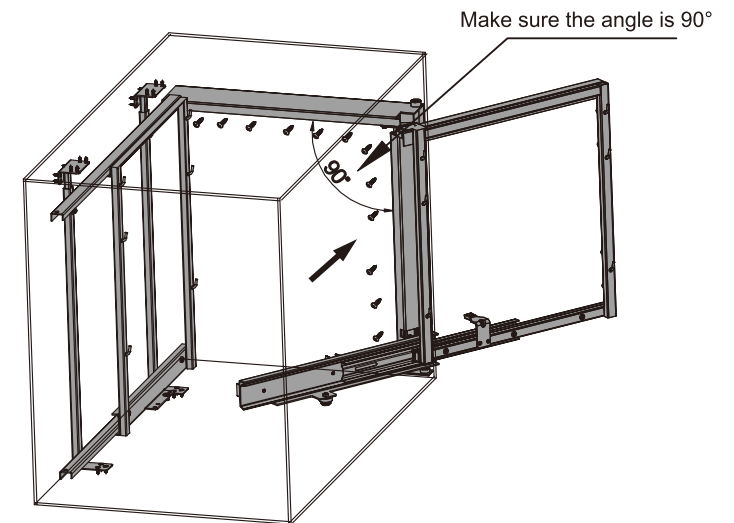


11.0 ►► INSTALLATION OF DOOR BRACKET

11.1

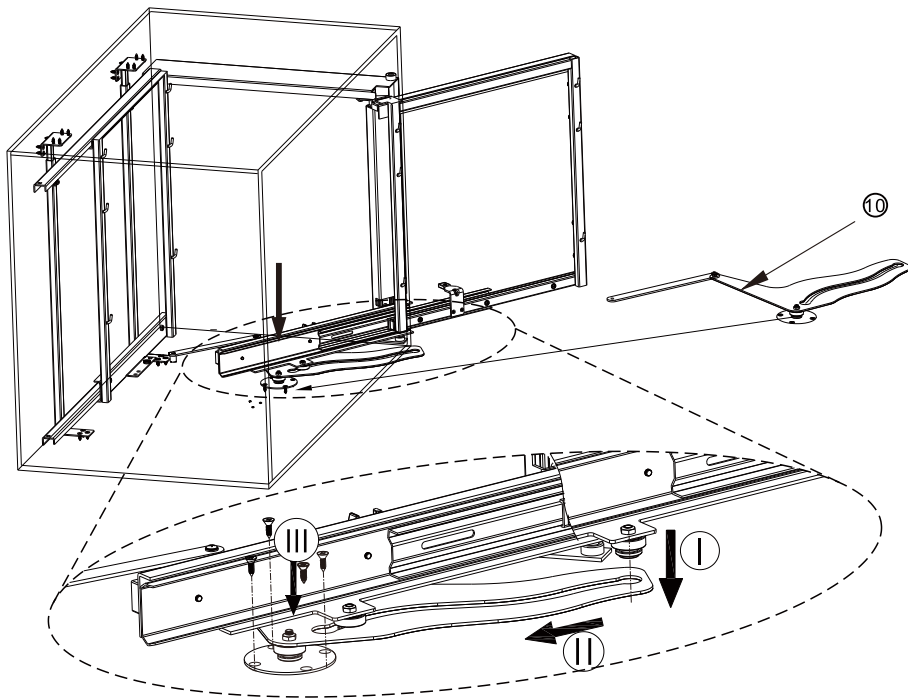


5.3



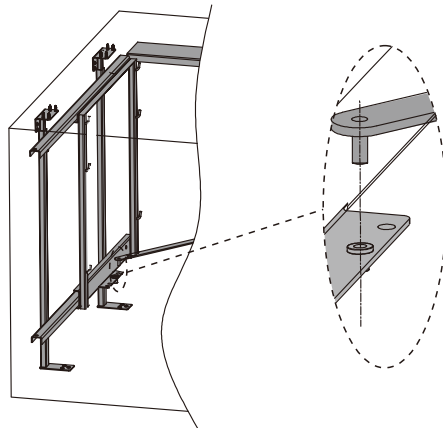
6.0 SIDE SWIVEL SLIDER ILLUSTRATION

Use 4 pcs of ST3.5*16 to install the swivel connection on the bottom of the cabinet
make sure the wheels go into the rail of swivel connection



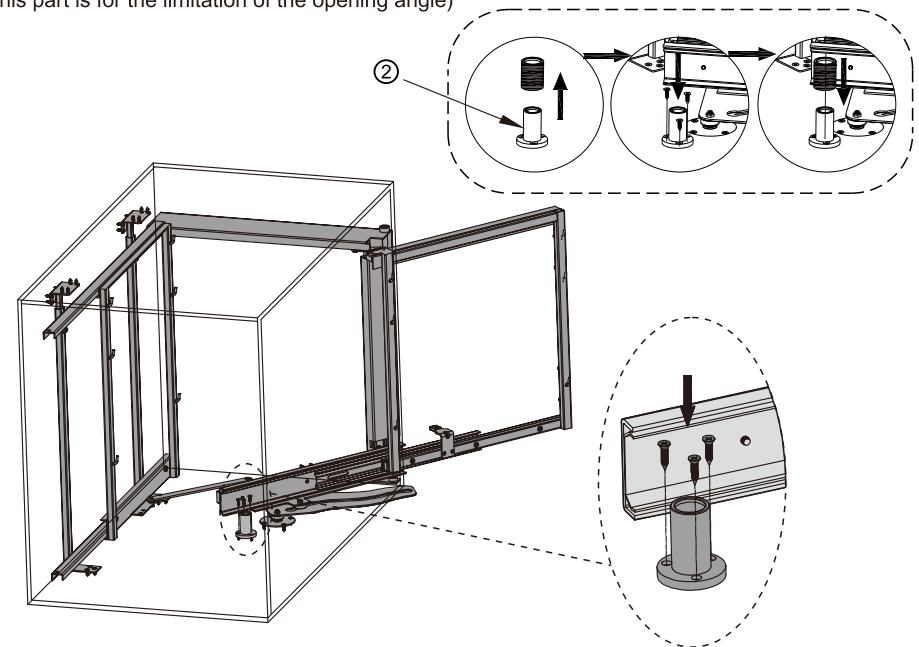
7.0 SWIVEL POLE ILLUSTRATION

Connect the side and rear frame



8.0 LIMITER ILLUSTRATION

Use 3 pcs of ST3.5*16 to install the limiter
(This part is for the limitation of the opening angle)



9.0 DRILL 8 HOLES FOR POSITIONING THE DOOR BRACKET

