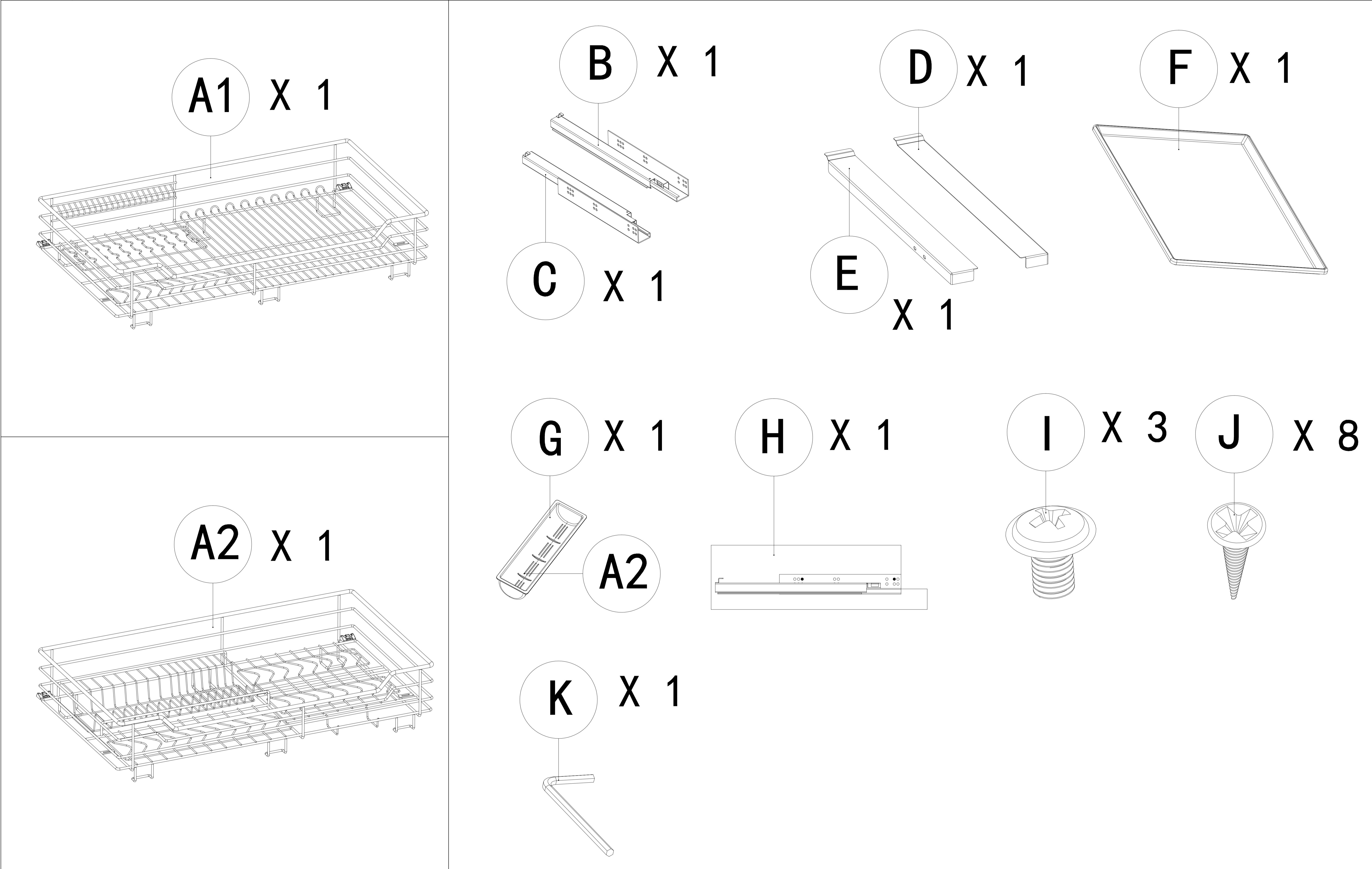
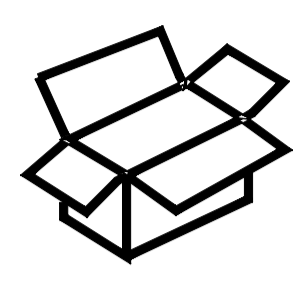


# IMUNDEX

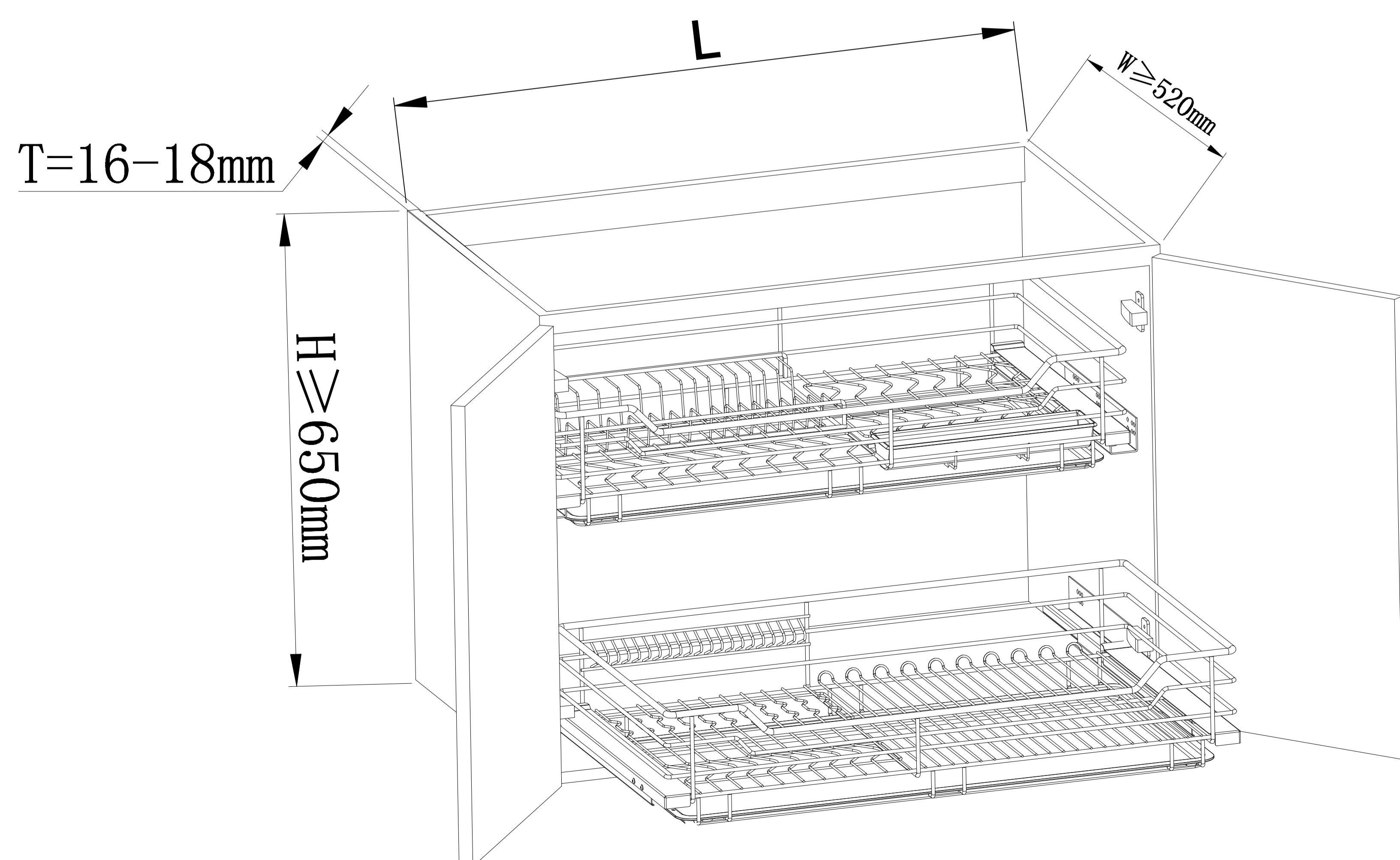
## Four side Basket Installation Instruction

7809116 7809120  
 7809117 7809121  
 7809118 7809122  
 7809119 7809123



**i**

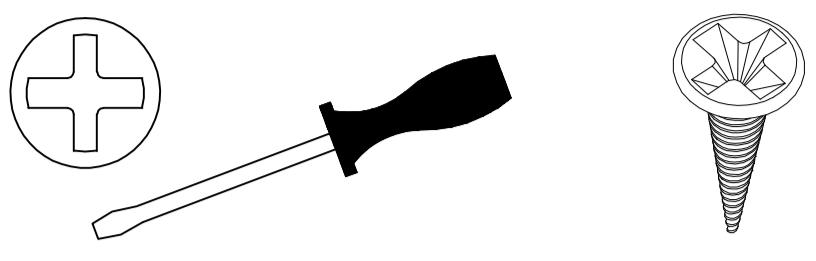
**mm**



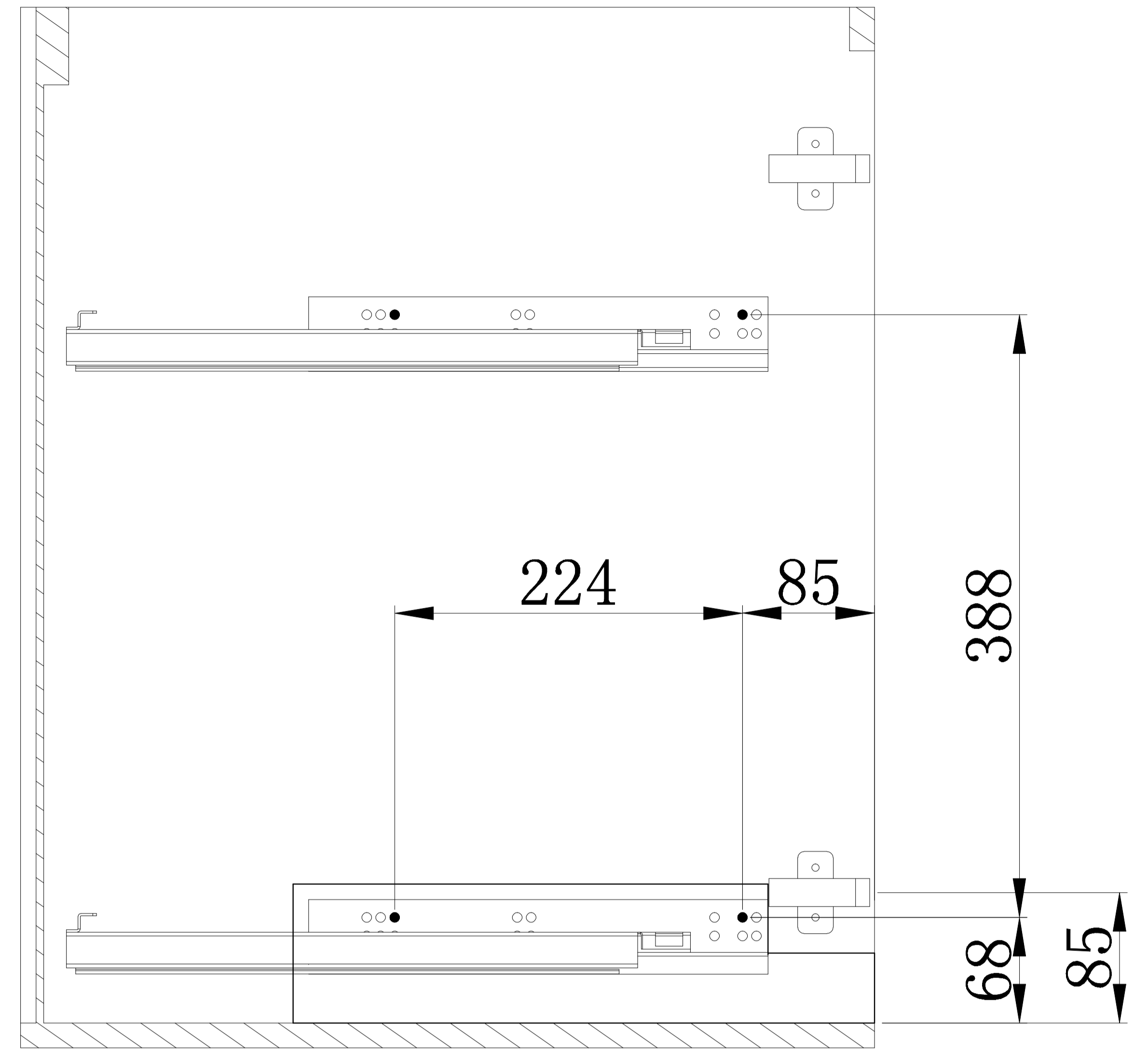
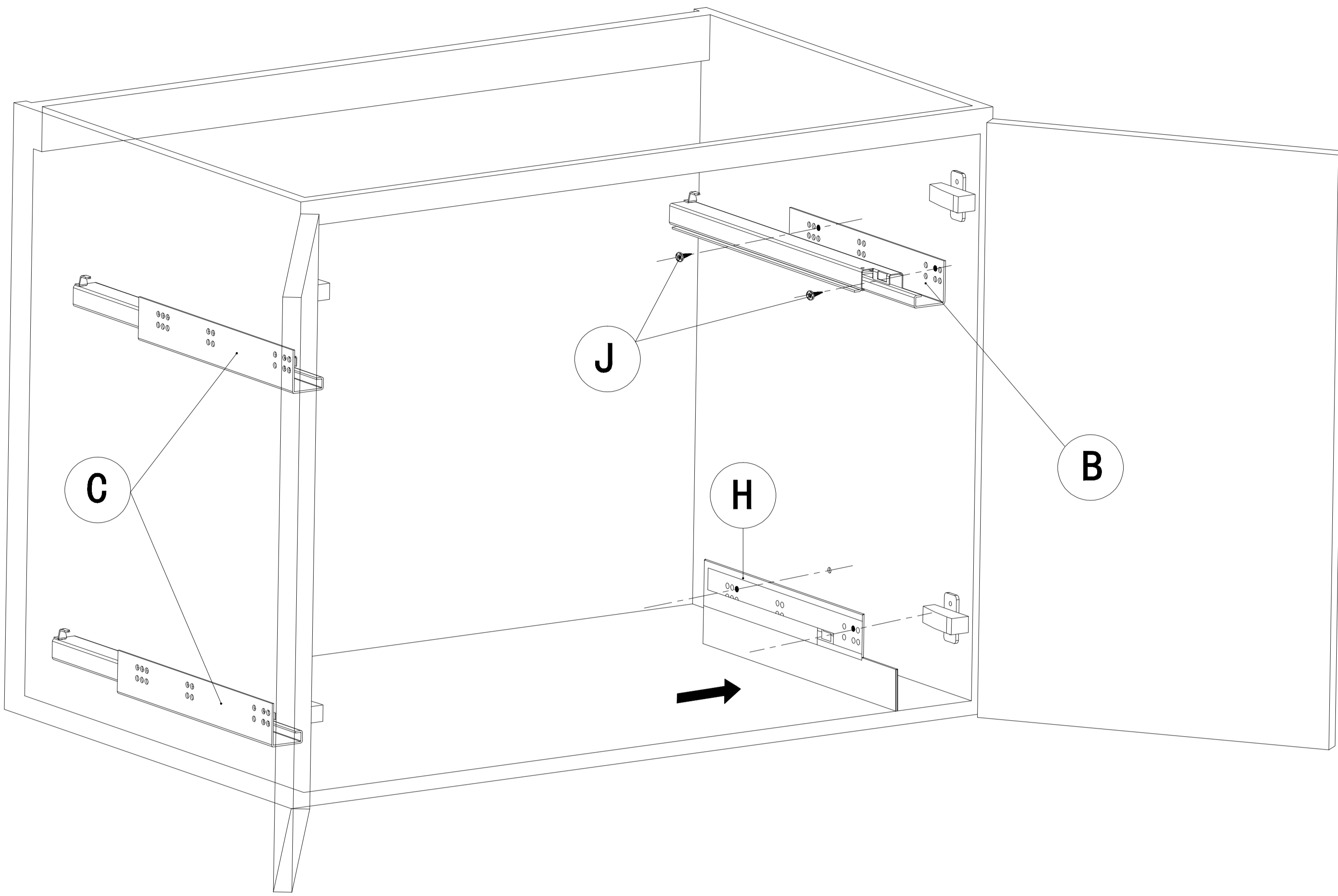
L
600
700
800
900

# IMUNDEX

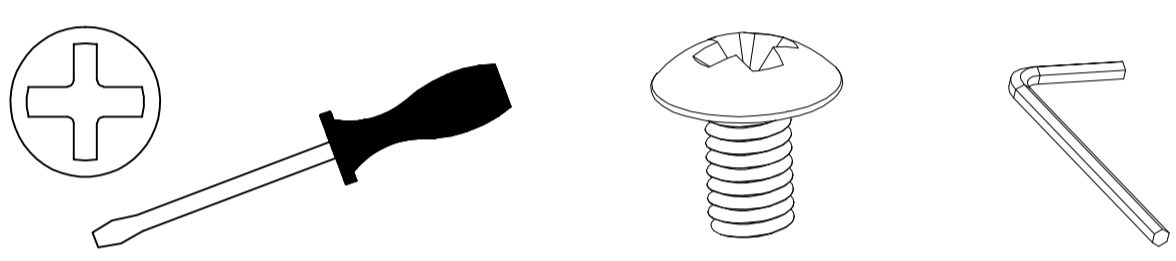
1



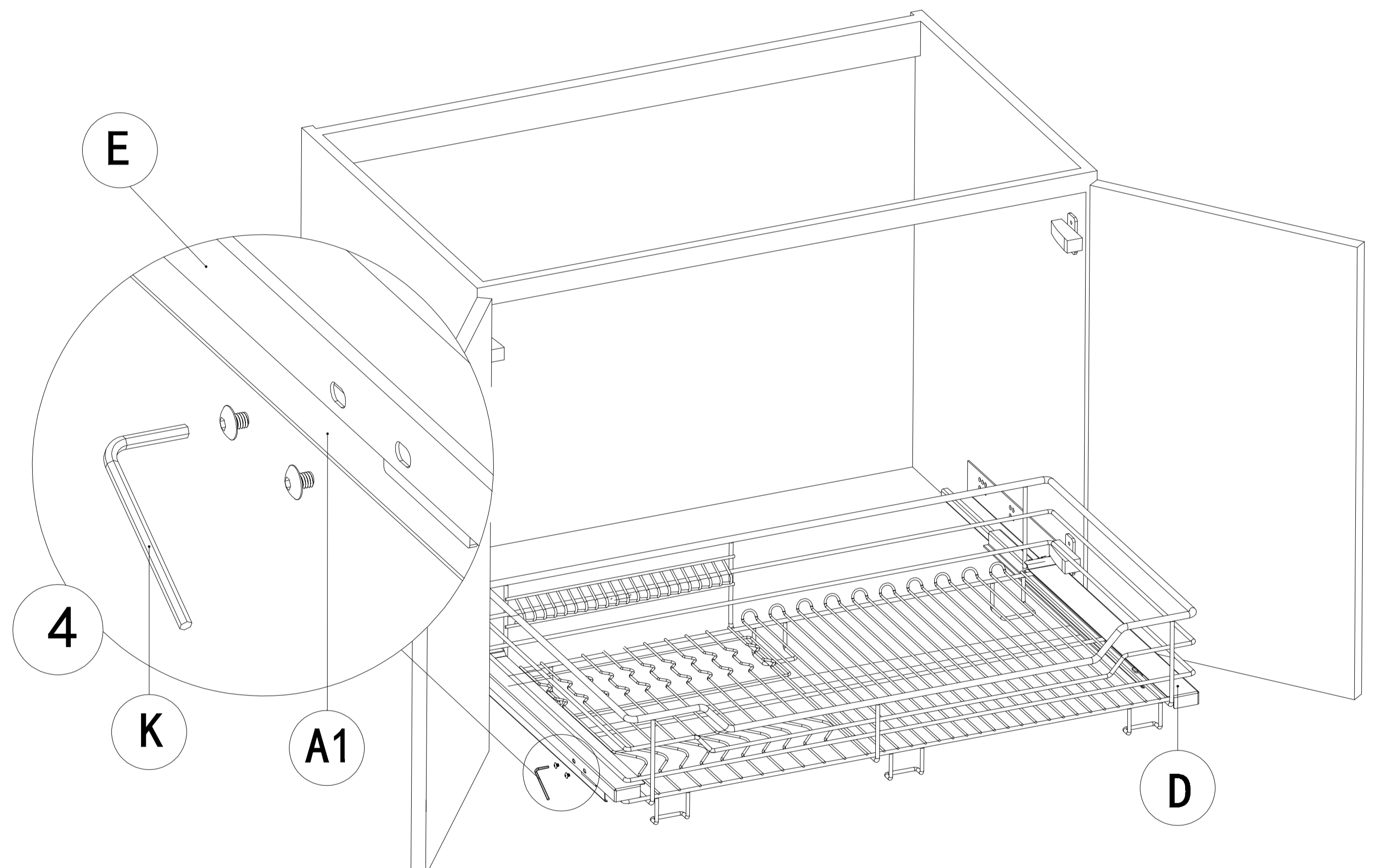
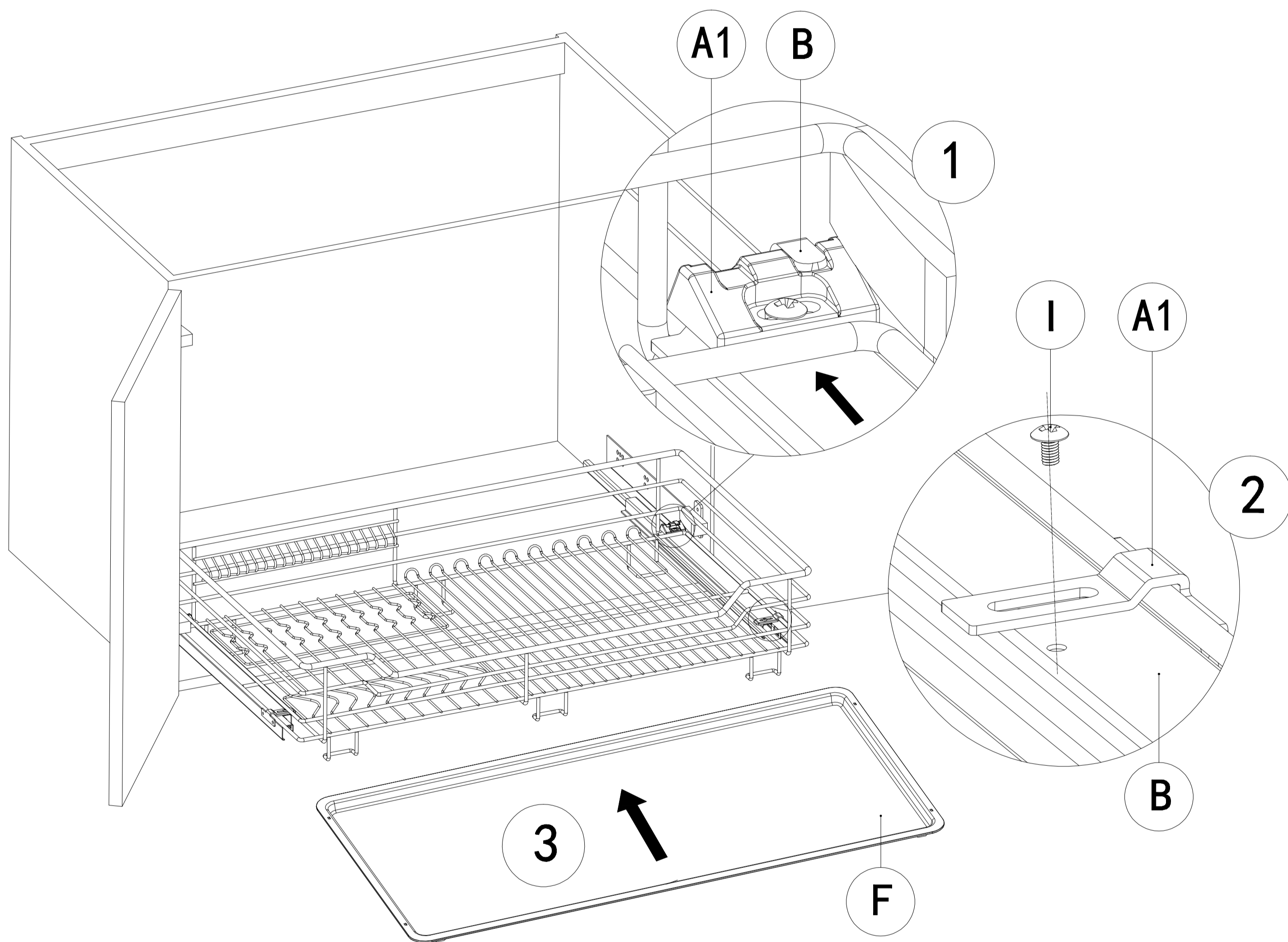
mm



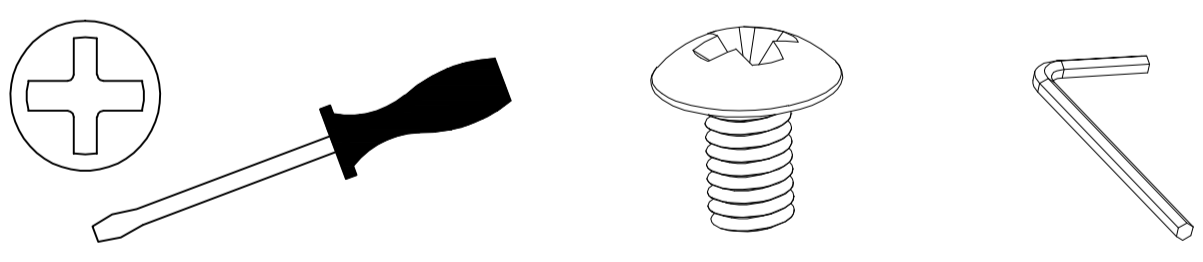
2



mm



3



mm

