



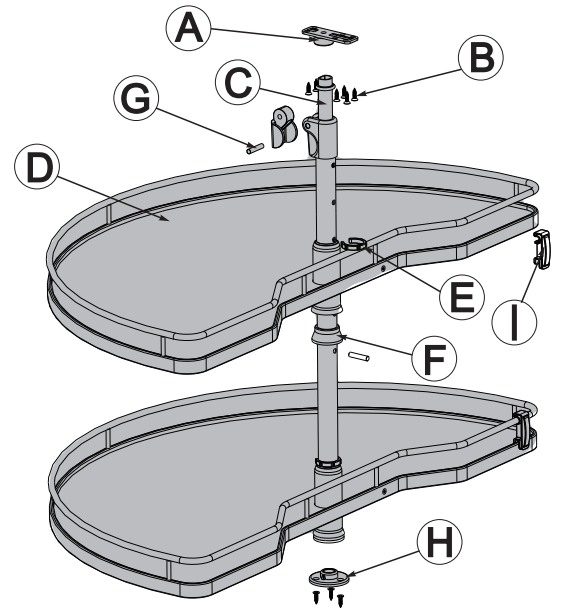
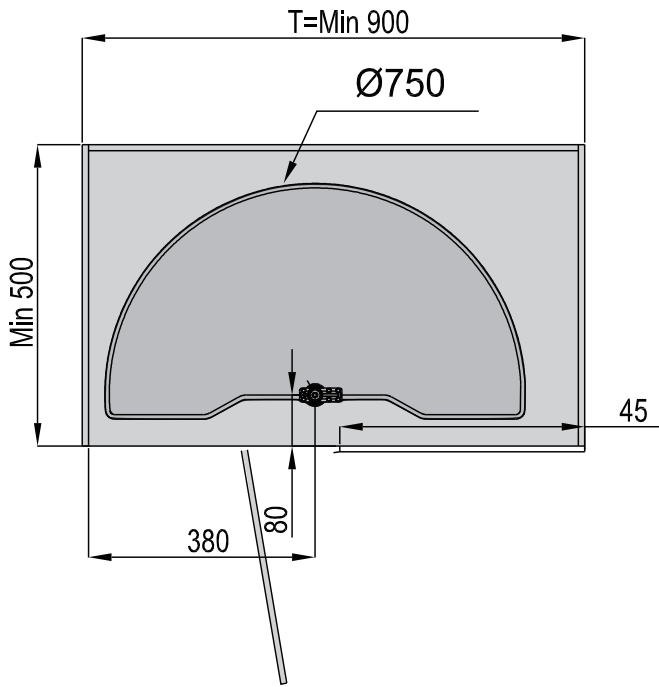
Member of the Feddersen Group – Germany



INSTALLATION INSTRUCTIONS FOR CORNET UNIT SWIVEL PULL-OUT 180-DEGREE
ITEM CODE: 7803702
HƯỚNG DẪN LẮP ĐẶT KỆ GÓC XOAY 180 ĐỘ
MÃ SỐ: 7803702



This instruction is fit for the following item numbers



Name	T=Cabinet	Width*Depth*Height
180°Revoling baske	900 mm	750*420(600-700)

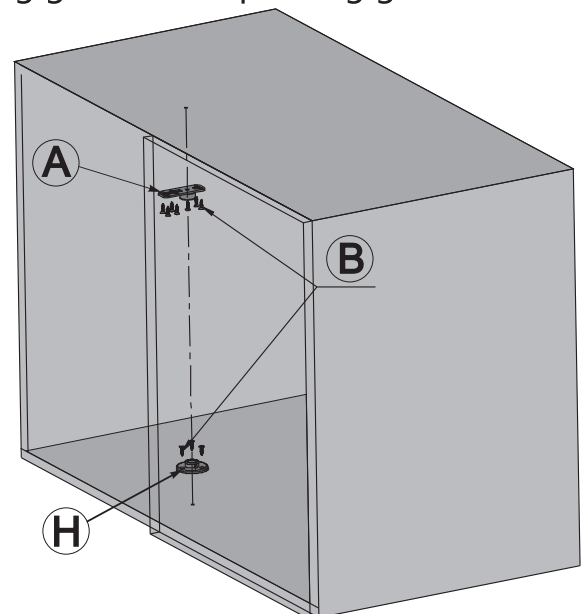
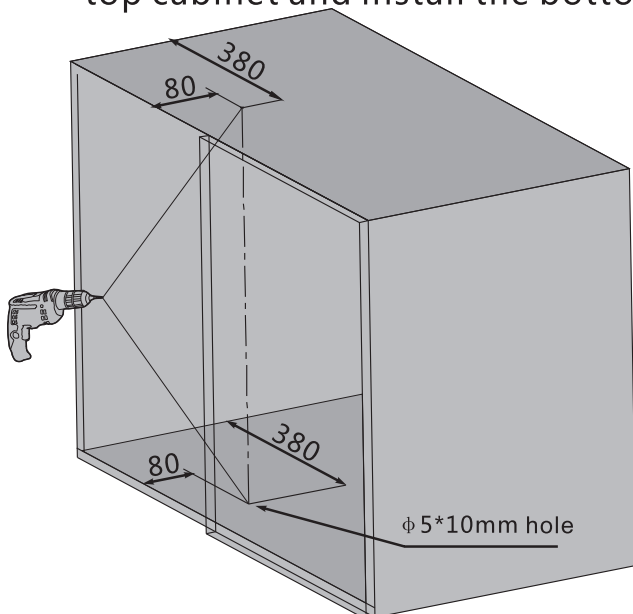
parts list

A		B	
	1PCS		10 PCS
C		D	
	1PCS		2PCS
E		F	
	2PCS		2PCS
G		H	
	2PCS		1PCS
		I	
			2PCS

Wire basket not worthy

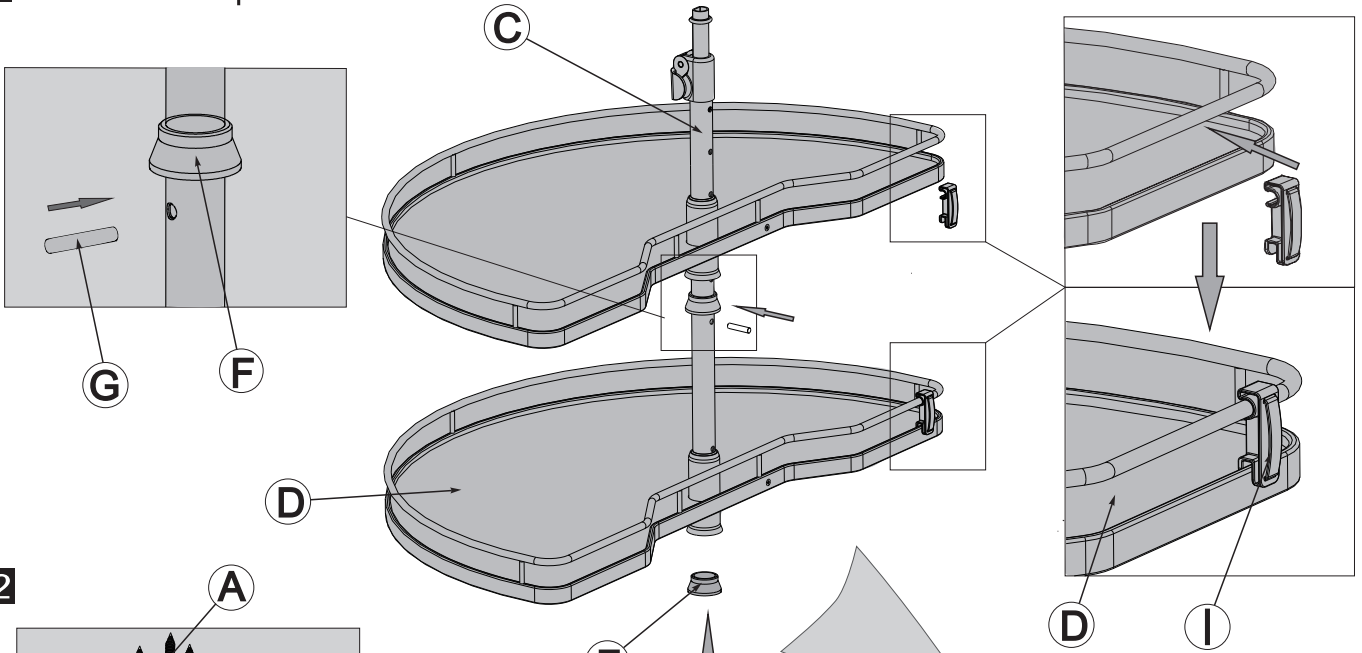
Step 1

1.1 As shown,drill a $\phi 5*10$ mm hole in the left bottom cabinet,make a mark in the top cabinet and install the bottom fixing glue and top fixing glue.



Step 2

2.1 Install the product into the cabinet.



2.2

