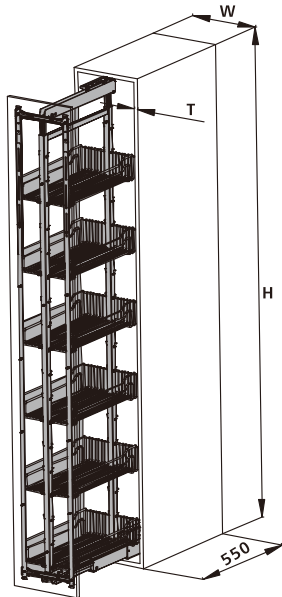


# Soft Stop Tall Unit Instruction Manual



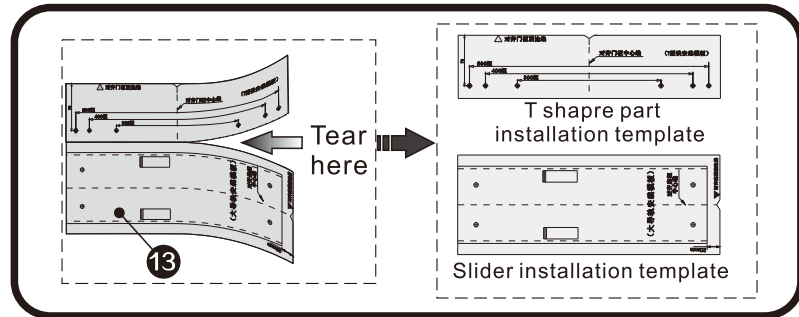
 <b>1 x 1</b>	 <b>2 x (1/2/3)</b>	 <b>3 x 2</b>	 <b>4 x 1</b>
 <b>5 x 1</b>	 <b>6 x 2</b>	 <b>7 x 2</b>	 <b>8 x 8</b> ST3.5*20
 <b>9 x 26/30</b> ST3.5*16	 <b>10 x 11</b> ST3.5*18	 <b>11 x 2</b>	 <b>12</b> QTY is according to the actual item
			 <b>13</b> Installation Template

Warmly reminder :

This manual is only for reference , the installation height should be based on the actual unit.

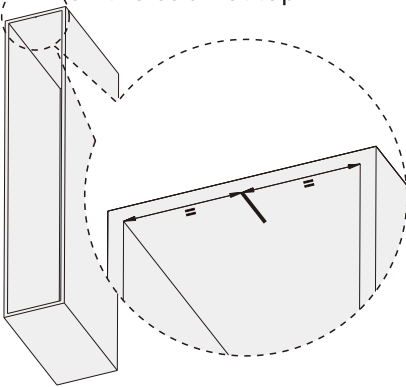
Remark:

1、 Before installation , please carefully study this manul , and choose the suitable size of cabinet according to the actual item.

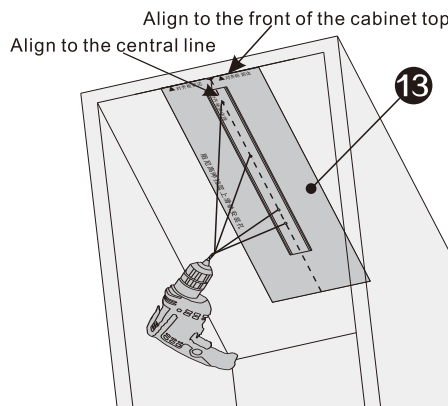


## 1 Installation for upper slider

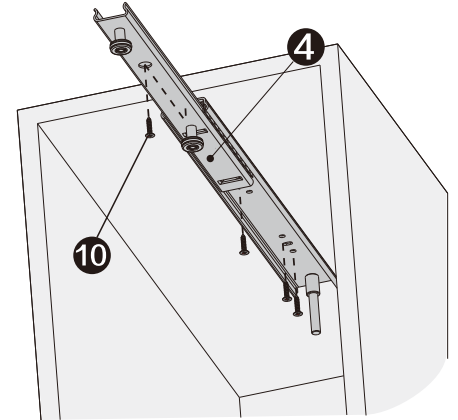
**1.1** Draw the central line on the cabinet top



**1.2** Predrill 4xΦ2.5mm on the template

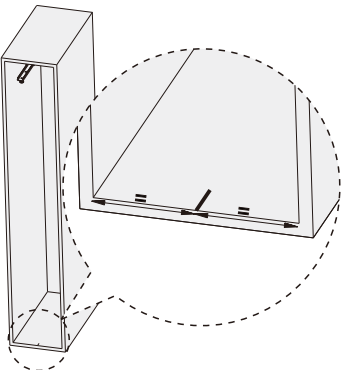


**1.3** Fasten the upper slider with 4 ST screws

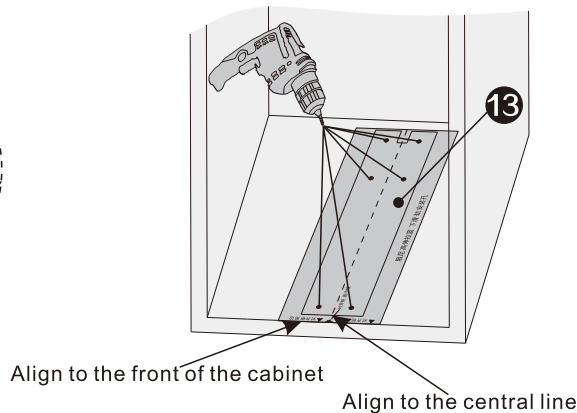


## 2 Installation for lower slider

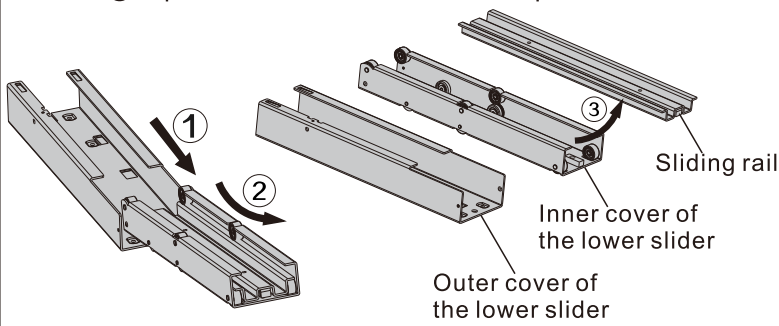
**2.1** Draw the central line on the bottom of cabinet



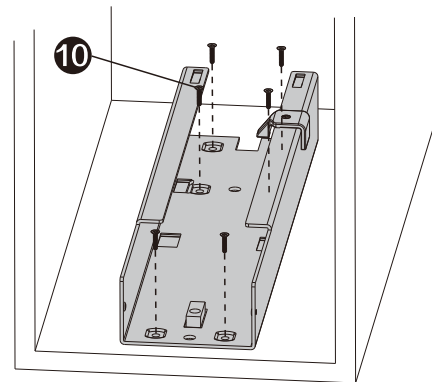
**2.2** Predrill 6 x Φ2.5mm on the template



- 2.3** ① Slide the rail to the end, and  
 ② Take out part 2  
 ③ separate the lower slider into 3 parts

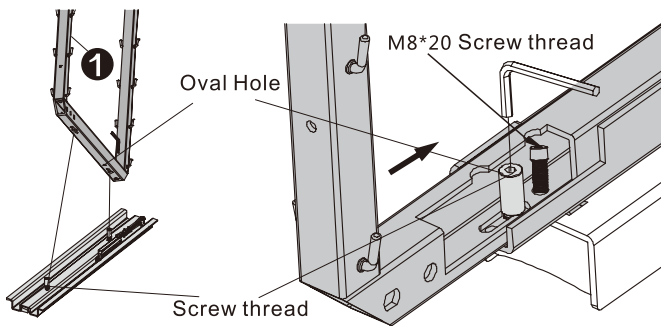


- 2.4** Fasten the outer cover slider with 6 screws.



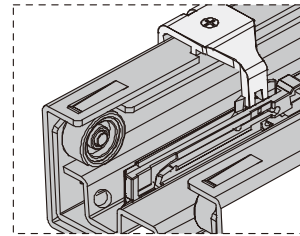
### 3 Installation and adjustment of the frame

- 3.1** Put the frame into the lower slider, the base of the oval hole and the screw thread have to be in level.

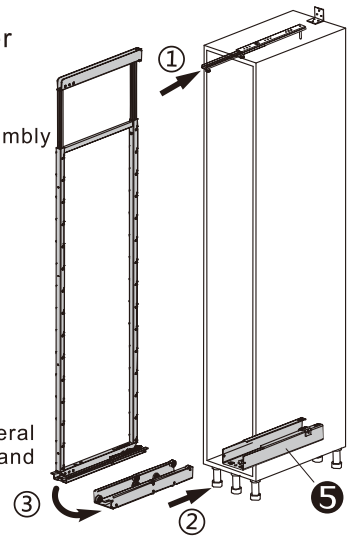


- 3.2** Installation for the inner cover and sliding rail

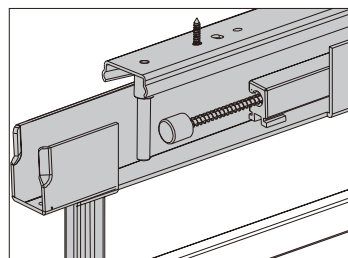
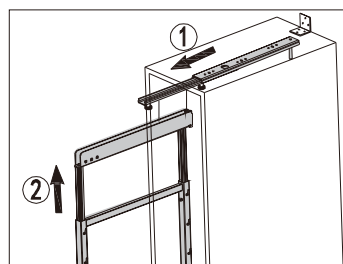
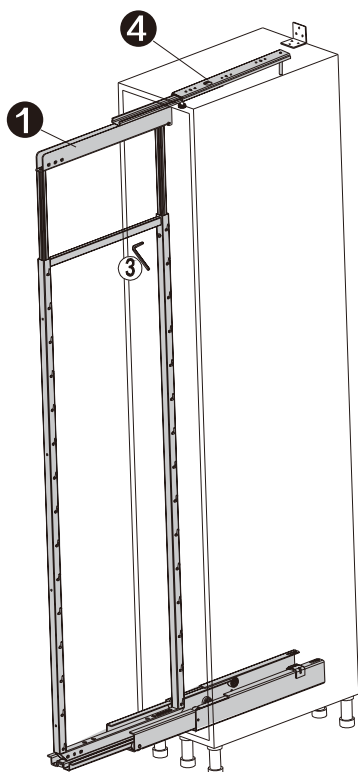
Please clean the slider before assembly make sure the sliding is smooth



After assembly, test and slide for several times, ensure the rebounding device and the rebounding stopper matches.



- 3.3** Attach the frame to the upper slider

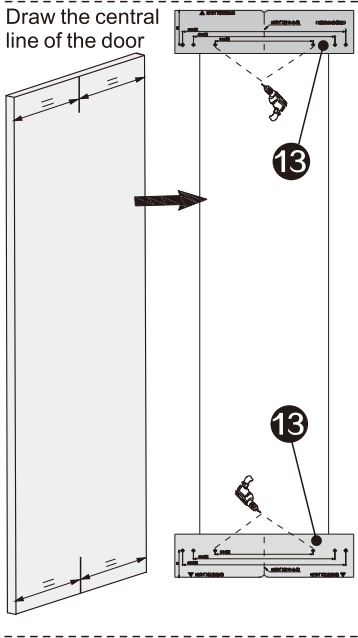


After installation, slide the frame back and forth for several times, make sure the spring can run into the top pole.

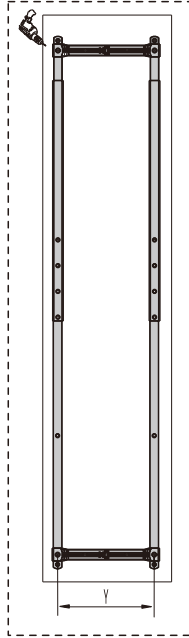
1. Complete slide out the top rail①
2. Adjust the height of the frame②,ensure the wheel of the upper slider is running smoothly in the U shape groove
3. Adjust ③ and fasten the frame

## 4 Installation for the door

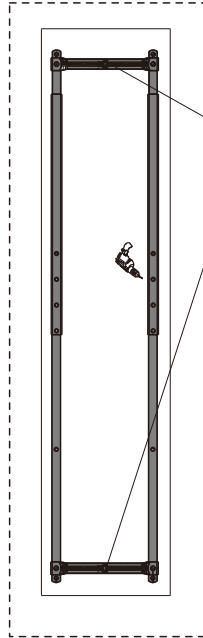
### 4.1 Predrill 4 x $\Phi 2.5\text{mm}$ according to the template



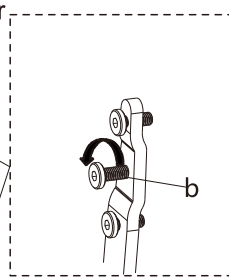
### 4.2 Installation for the T shape part.



### 4.3 Installation for the frame locker

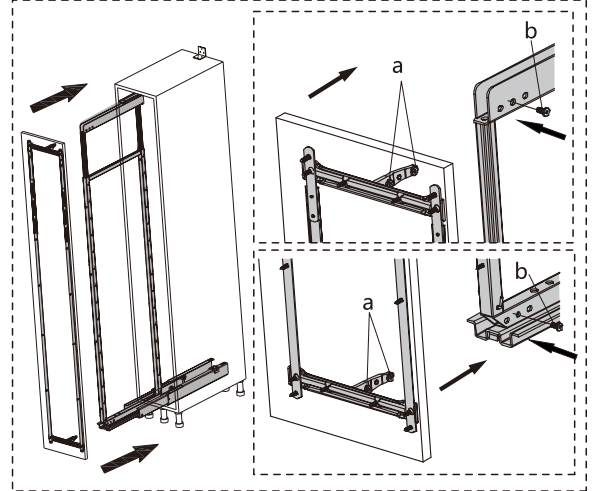


### 4.4 Unscrew B



1. Drill and fasten the T shape parts on the door
2. Drill and fasten the frame lockers on the door .
3. Loose "B" on the T shape part.
4. Assemble the door with the frame and fasten "b"

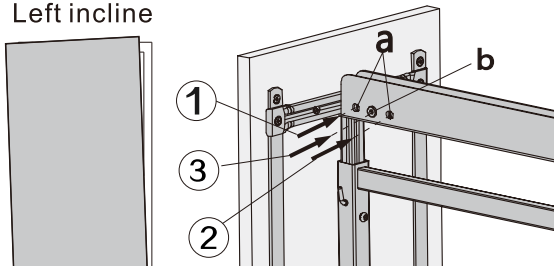
### 4.5 Installation for the screws of the upper and lower T shape part



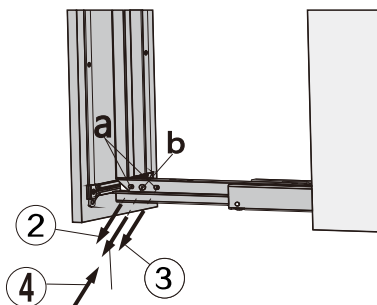
Cabinet	Y
200	125mm
300	225mm
400	325mm
500	425mm

## 5 Adjustment for the door

### Left incline

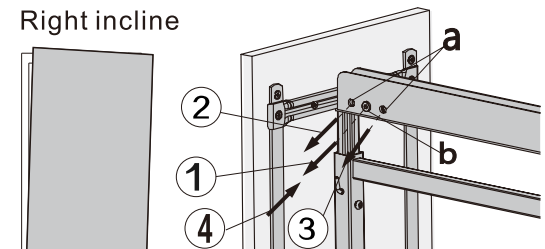


Screw "a" according to ①② , and finally fasten "b" also

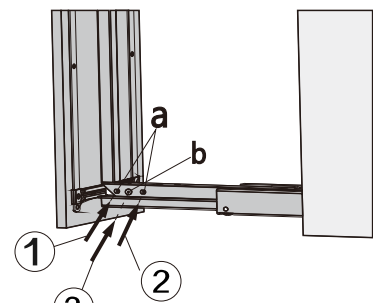


Unscrew "b" according to ① , then unscrew "a" according to ②③, finally fasten "b" as ④

### Right incline

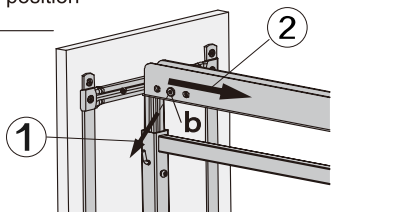


Unscrew "b" according to ①, and then unscrew "a" according to ②③ , finally fasten screw "b"

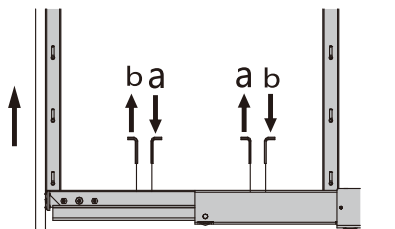


Screw "a" according to ①② , and finally fasten screw "b"

Gap in the upper position of the door



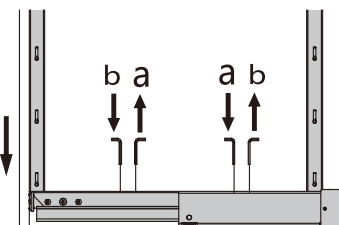
Loose screw "b" by following ①, and push the door inward



If there is gap still, fasten "a" or loose "b" to adjust.



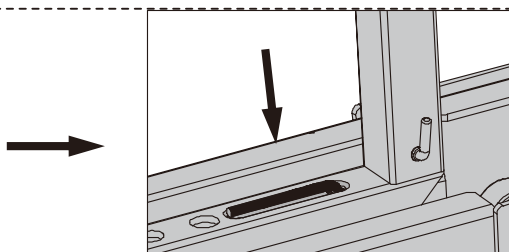
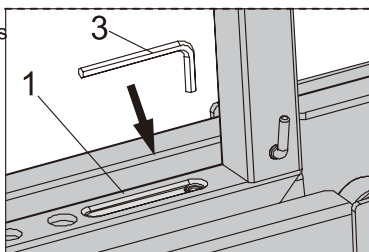
Loose screw "b" by following ①, and push the door inward



If there is gap still, fasten "b" or loose "a" to adjust

Gap in the lower position of the door

The adjusting bolt positions behind the frame



## 6 Installation for the "Bridge shape part" and baskets

Notice:  
The installation of "Bridge shape part" should be equipped averagely on the door.

Notice:  
It is a must to equip the "Bridge shape parts", and make sure the unit is firm and stable.

