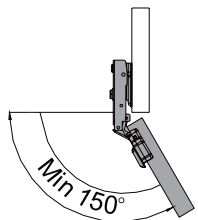
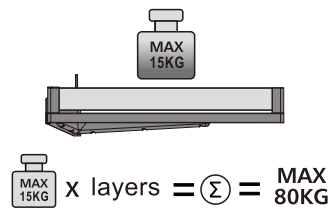
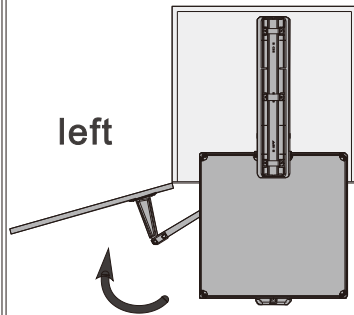
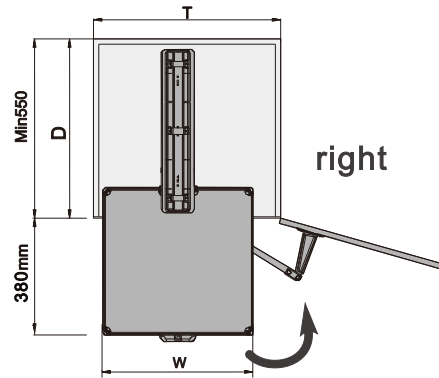
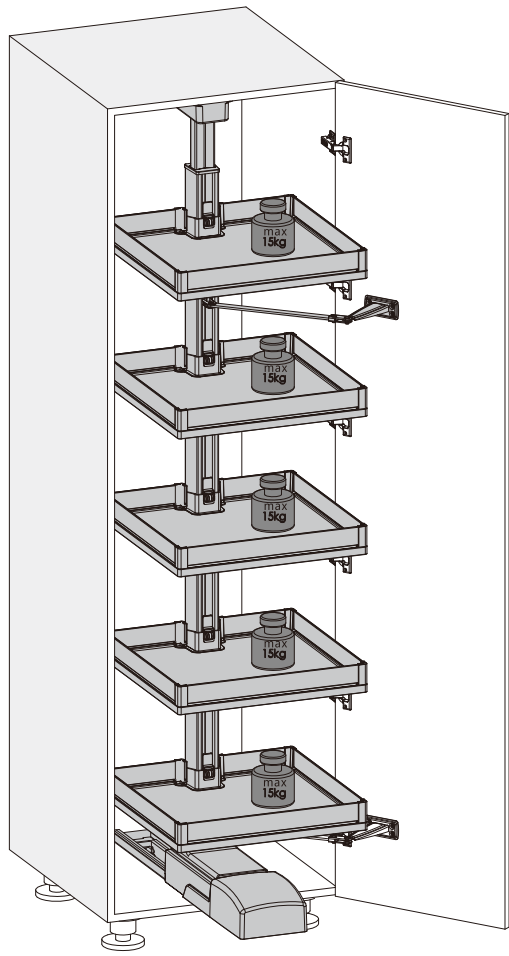




Instruction for
Space Swivel Pull-out




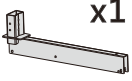
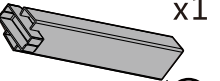
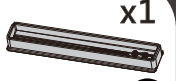
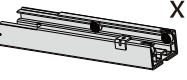
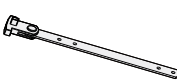
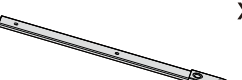


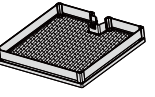
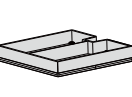











WARM PROMPT:

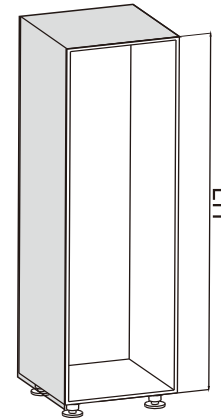
Product match 165° soft closing hinge

4 layers needs 5 hinges
5 layers needs 5 hinges
6 layers needs 5 hinges

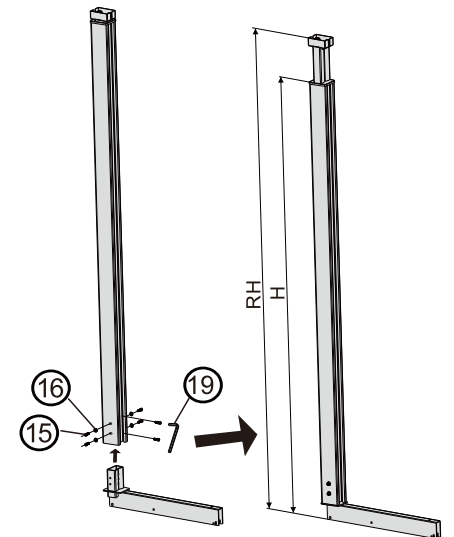


Accessories

 +  x1	 x1	 x1	
 x1	 x2	 x2	 x2
 x2	Depends on layers or   x1	 x1	 x5
 x2	 x24 ST3.5*16  x10 M5*6	 x6 M6*12	 x4
 x1 M6*20	 x2 M6*12	 x2	 x4 M5*6

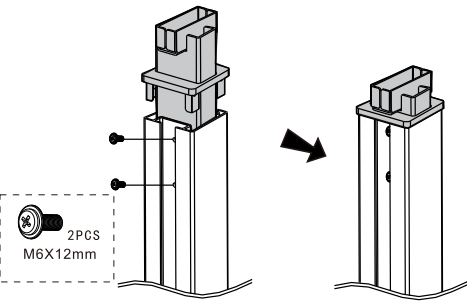


LH	RH	H
1420-1720	1360-1640	1316
1720-2020	1660-1940	1616
2020-2320	1960-2240	1916

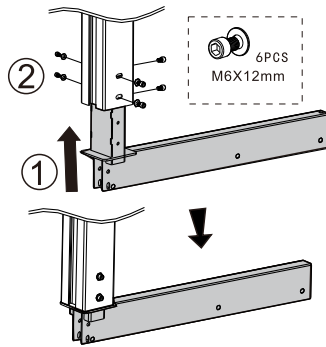


1 Frame component assembly

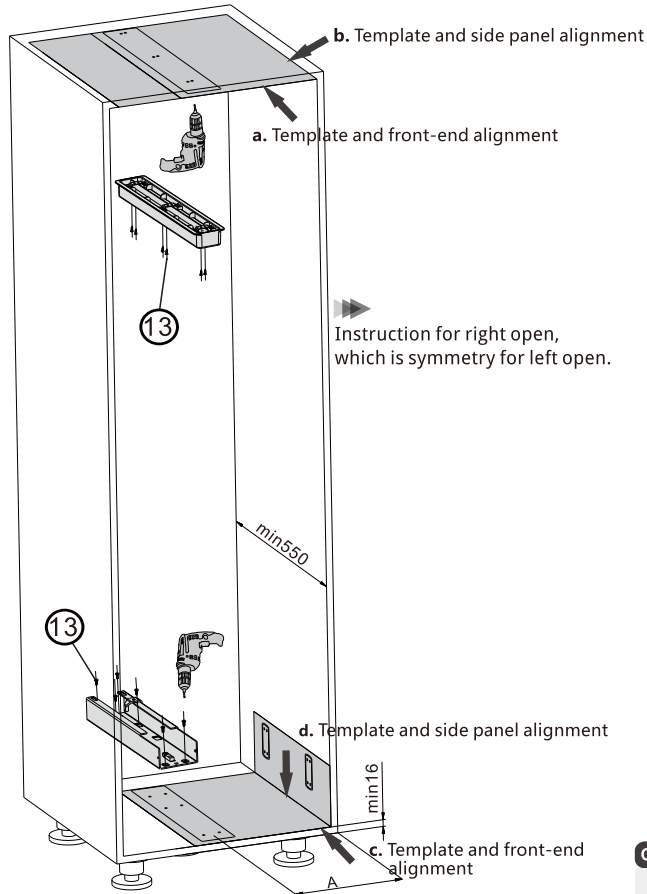
Assemble adjustable upper tube



Assemble down frame

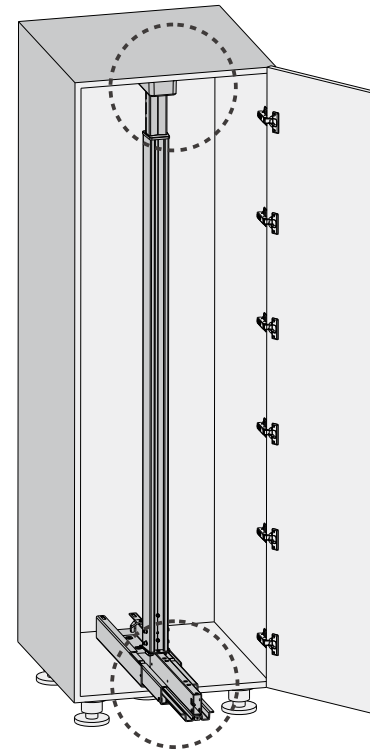


2 Slide Install Instruction

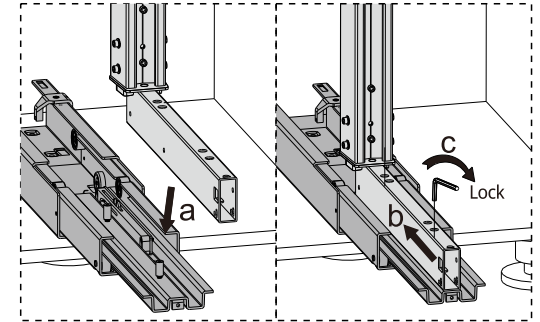


Cabinet	500mm	600mm
A	265	310

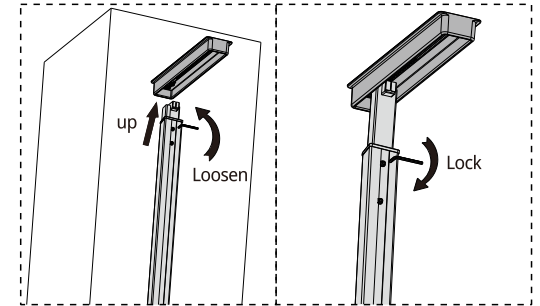
3 Installation for Frame & Slide



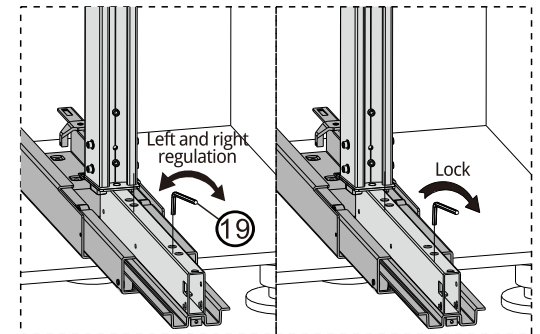
3.1 Installation for frame & down slide



3.2 Installation for adjustment frame & top slide

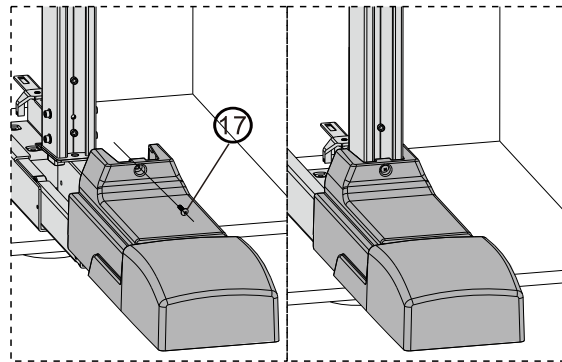


3.3 Adjust frame vertical degree



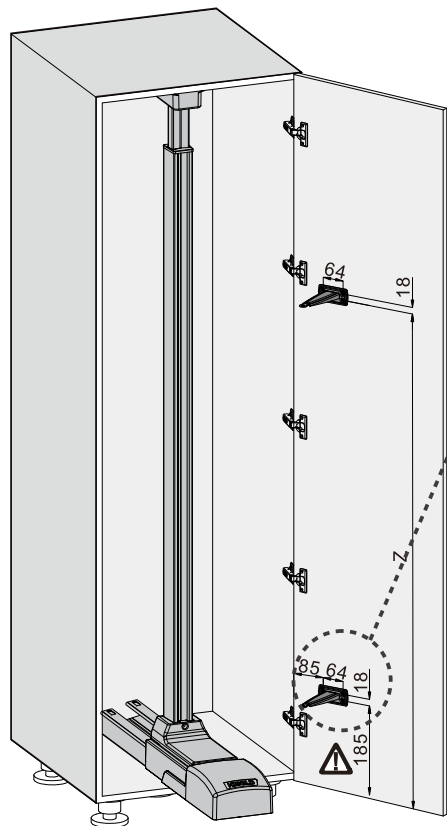
WARM PROMPT

▶▶ Install slide cover

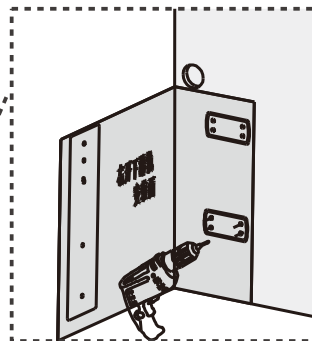


4 Install the door

4.1 Install connecting bar fitting



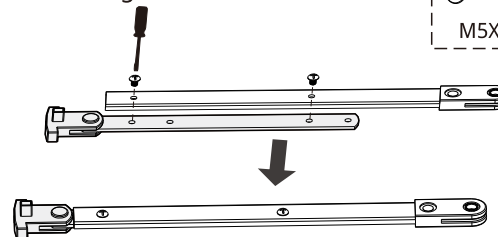
Instruction for template



▶▶ 4.2 Install connecting bolt

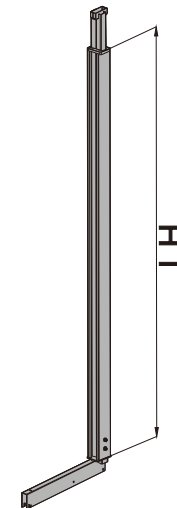
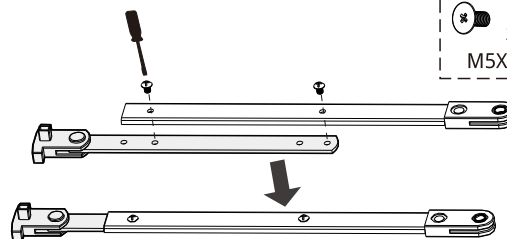
For 500MM cabinet, connecting the bolt through first and third hole

2PCS
M5X6mm



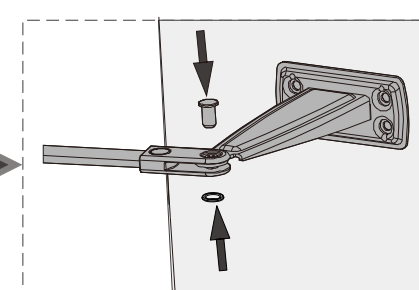
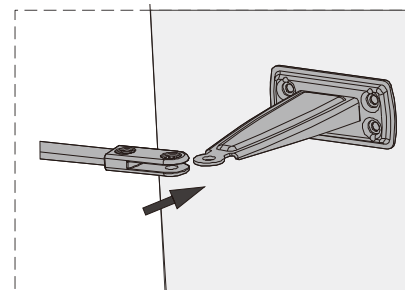
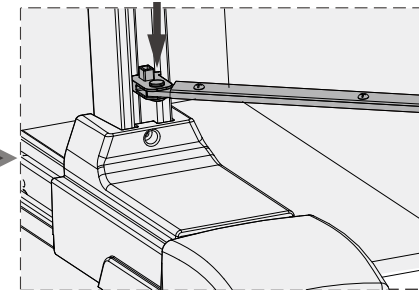
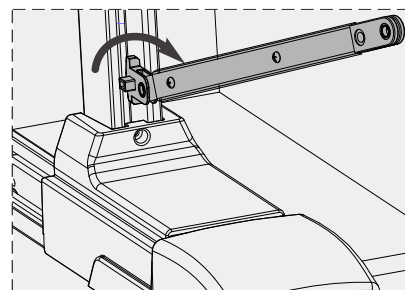
For 600MM cabinet, connecting the bolt through second and fourth hole

2PCS
M5X6mm



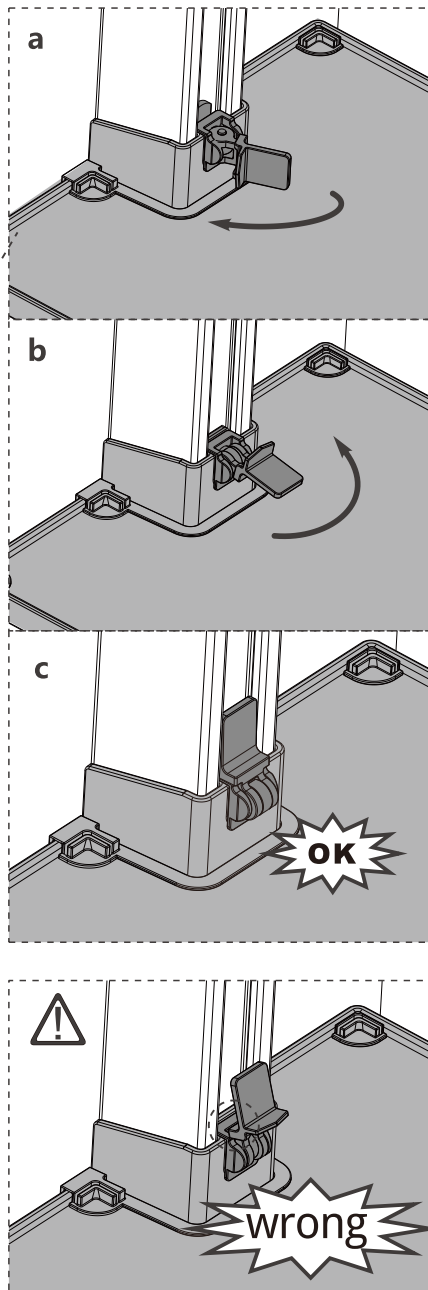
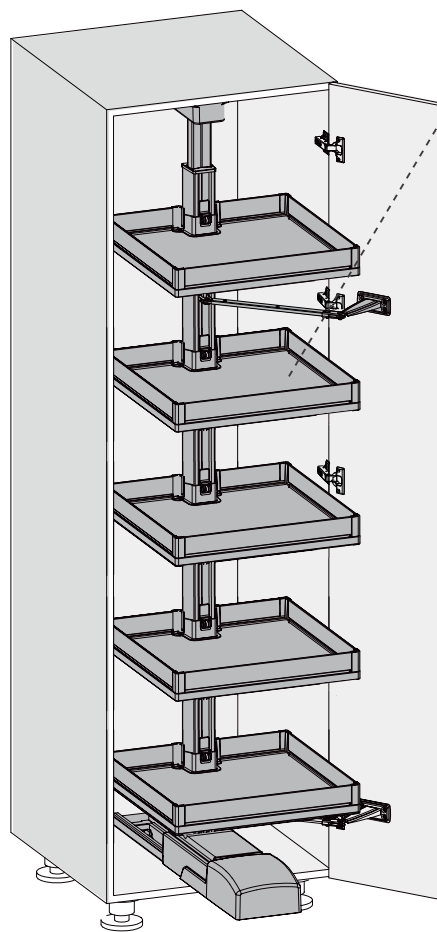
LH	Z
1250	1165
1550	1465
1850	1765

4.3 Install connecting bar



5 Installation for fittings

5.1 Install tray

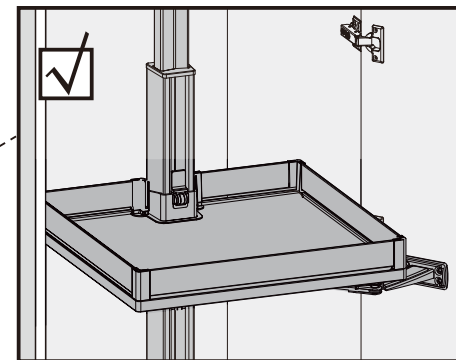


WARM PROMPT

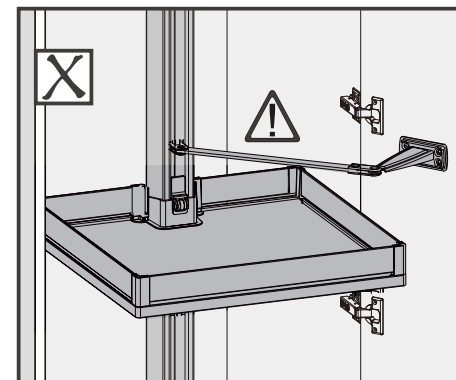


Attention for tray installation

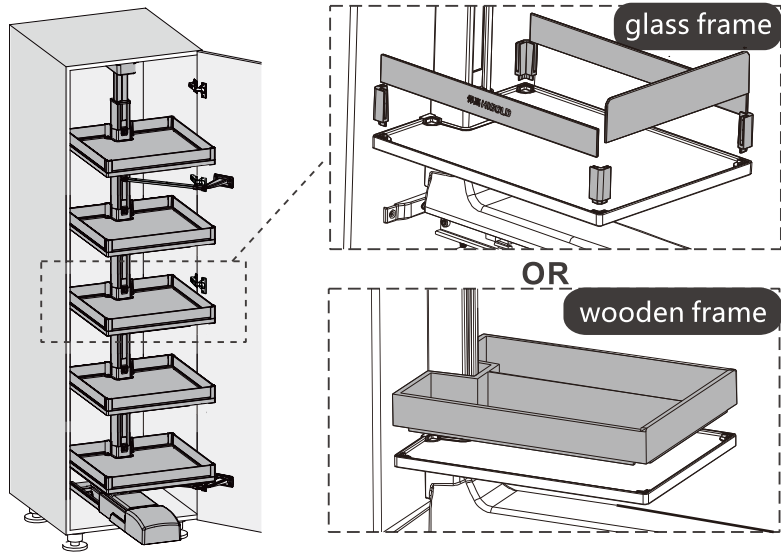
Tray above connecting bar
no impact when close door



Tray beneath connecting bar
have impact when close door

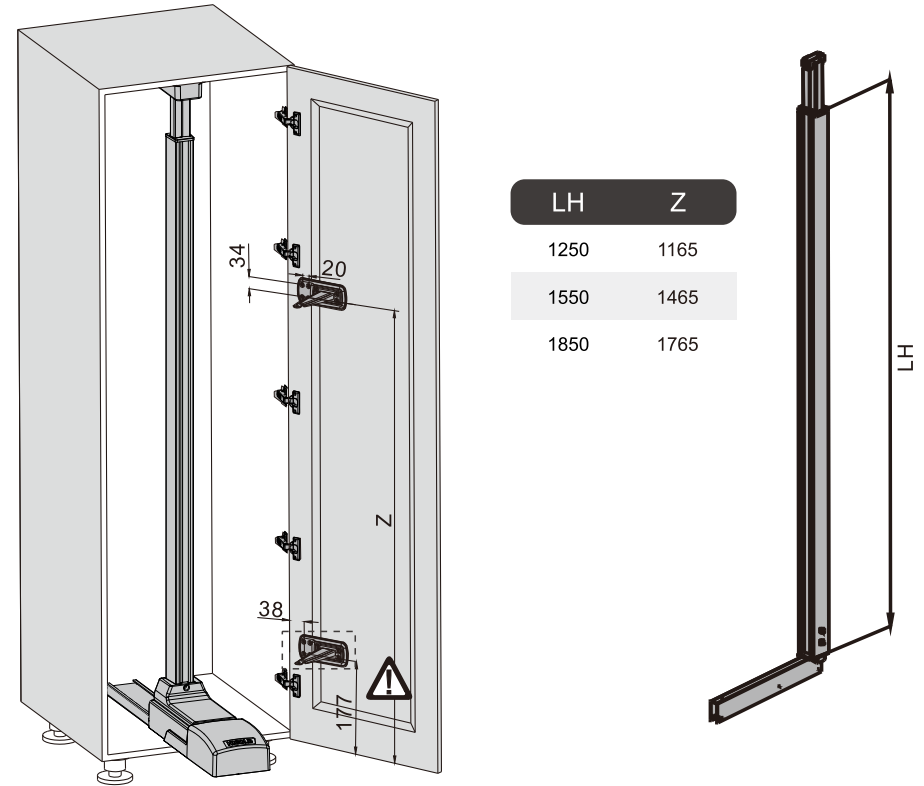


5.2 Tray edge installation (glass or wooden)



WARM PROMPT

▶▶ Fitting installation for solid door



WARM PROMPT

▶▶ Instruction for tray clip

