

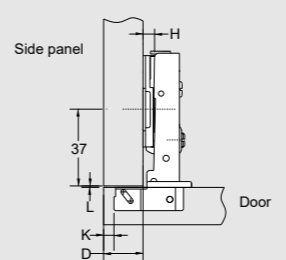
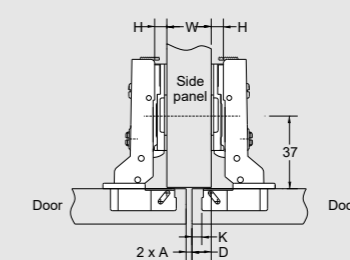
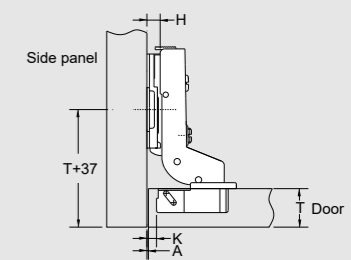
Slide-on, 105° soft close hinge

TECHNICAL SPECIFICATION

- Standard economical hinge
- 105° opening angle for Door thickness of 14-22mm
- Steel material, Cu-Nickel plated
- Slide on installation



OVERLAY TABLE

Full Overlay	Half Overlay	Inset																																																																																				
 <p>Side panel Door H 37 K D</p>	 <p>Side panel Side panel Door Door H W H 37 K D 2 x A</p>	 <p>Side panel Door H T+37 K A</p>																																																																																				
<p>H=14+K-D D: maximum value</p> <table border="1"> <tr> <th>D</th> <th>K</th> <th>3</th> <th>4</th> <th>5</th> <th>6</th> <th>7</th> </tr> <tr> <th>0</th> <td>17</td> <td>18</td> <td>19</td> <td>20</td> <td>21</td> <td></td> </tr> <tr> <th>2</th> <td>15</td> <td>16</td> <td>17</td> <td>18</td> <td>19</td> <td></td> </tr> <tr> <th>4</th> <td>13</td> <td>14</td> <td>15</td> <td>16</td> <td>17</td> <td></td> </tr> </table>	D	K	3	4	5	6	7	0	17	18	19	20	21		2	15	16	17	18	19		4	13	14	15	16	17		<p>H=4+K-D D: maximum value</p> <table border="1"> <tr> <th>D</th> <th>K</th> <th>3</th> <th>4</th> <th>5</th> <th>6</th> <th>7</th> </tr> <tr> <th>0</th> <td>7</td> <td>8</td> <td>9</td> <td>10</td> <td>11</td> <td></td> </tr> <tr> <th>2</th> <td>5</td> <td>6</td> <td>7</td> <td>8</td> <td>9</td> <td></td> </tr> <tr> <th>4</th> <td>3</td> <td>4</td> <td>5</td> <td>6</td> <td>7</td> <td></td> </tr> </table>	D	K	3	4	5	6	7	0	7	8	9	10	11		2	5	6	7	8	9		4	3	4	5	6	7		<p>H= -4+K+A</p> <table border="1"> <tr> <th>A</th> <th>K</th> <th>3</th> <th>4</th> <th>5</th> <th>6</th> <th>7</th> </tr> <tr> <th>0</th> <td>1</td> <td>0</td> <td>-1</td> <td>-2</td> <td>-3</td> <td></td> </tr> <tr> <th>2</th> <td>3</td> <td>2</td> <td>1</td> <td>0</td> <td>-1</td> <td></td> </tr> <tr> <th>4</th> <td>5</td> <td>4</td> <td>3</td> <td>2</td> <td>1</td> <td></td> </tr> </table>	A	K	3	4	5	6	7	0	1	0	-1	-2	-3		2	3	2	1	0	-1		4	5	4	3	2	1	
D	K	3	4	5	6	7																																																																																
0	17	18	19	20	21																																																																																	
2	15	16	17	18	19																																																																																	
4	13	14	15	16	17																																																																																	
D	K	3	4	5	6	7																																																																																
0	7	8	9	10	11																																																																																	
2	5	6	7	8	9																																																																																	
4	3	4	5	6	7																																																																																	
A	K	3	4	5	6	7																																																																																
0	1	0	-1	-2	-3																																																																																	
2	3	2	1	0	-1																																																																																	
4	5	4	3	2	1																																																																																	
<p>Notice: 2 holes mounting plate H=2 is available for slide on hinge, H=4 is not available</p>																																																																																						

ARM INSTALLATION/ADJUSTMENT

Full Overlay - Code: 7173111



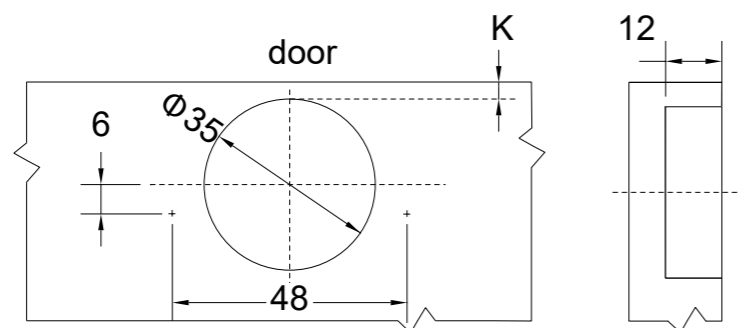
Half Overlay - Code: 7172112



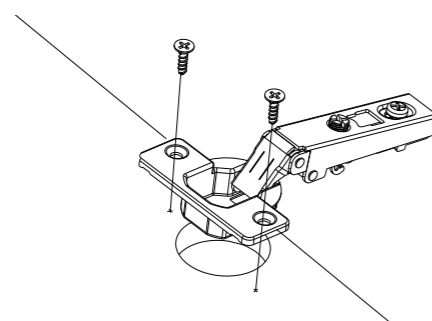
Inset - Code: 7171113



DRILLING FOR CUP

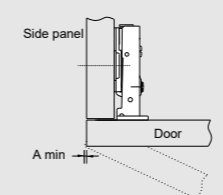
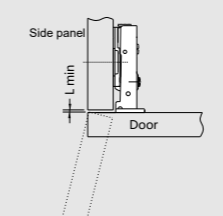


CUP INSTALLATION

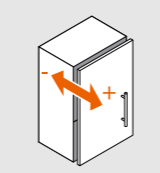
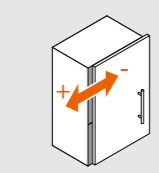
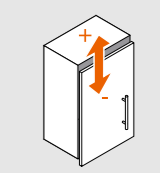


Wood screws

MINIMUM REVEAL TABLE

 <p>Side panel Door A min</p>	<table border="1"> <tr> <th>A</th> <th>T</th> <th>14</th> <th>15</th> <th>16</th> <th>17</th> <th>18</th> <th>19</th> <th>20</th> <th>21</th> <th>22</th> </tr> <tr> <th>3</th> <td>1.3</td> <td>1.5</td> <td>1.7</td> <td>1.9</td> <td>2.2</td> <td>2.5</td> <td>2.8</td> <td>3.2</td> <td>3.6</td> <td></td> </tr> <tr> <th>4</th> <td>1.3</td> <td>1.5</td> <td>1.7</td> <td>1.9</td> <td>2.1</td> <td>2.4</td> <td>2.8</td> <td>3.1</td> <td>3.5</td> <td></td> </tr> <tr> <th>5</th> <td>1.2</td> <td>1.4</td> <td>1.6</td> <td>1.9</td> <td>2.1</td> <td>2.4</td> <td>2.7</td> <td>3.0</td> <td>3.4</td> <td></td> </tr> <tr> <th>6</th> <td>1.2</td> <td>1.4</td> <td>1.6</td> <td>1.8</td> <td>2.1</td> <td>2.3</td> <td>2.6</td> <td>3.0</td> <td>3.4</td> <td></td> </tr> <tr> <th>7</th> <td>1.2</td> <td>1.4</td> <td>1.5</td> <td>1.8</td> <td>2.0</td> <td>2.3</td> <td>2.6</td> <td>2.9</td> <td>3.3</td> <td></td> </tr> </table>	A	T	14	15	16	17	18	19	20	21	22	3	1.3	1.5	1.7	1.9	2.2	2.5	2.8	3.2	3.6		4	1.3	1.5	1.7	1.9	2.1	2.4	2.8	3.1	3.5		5	1.2	1.4	1.6	1.9	2.1	2.4	2.7	3.0	3.4		6	1.2	1.4	1.6	1.8	2.1	2.3	2.6	3.0	3.4		7	1.2	1.4	1.5	1.8	2.0	2.3	2.6	2.9	3.3		<p>K Boring distance</p> <p>T Door thickness</p> <p>A Minimum gap (A) for door with a door edge radius</p> <p>L Gap between door and panel</p>
A	T	14	15	16	17	18	19	20	21	22																																																										
3	1.3	1.5	1.7	1.9	2.2	2.5	2.8	3.2	3.6																																																											
4	1.3	1.5	1.7	1.9	2.1	2.4	2.8	3.1	3.5																																																											
5	1.2	1.4	1.6	1.9	2.1	2.4	2.7	3.0	3.4																																																											
6	1.2	1.4	1.6	1.8	2.1	2.3	2.6	3.0	3.4																																																											
7	1.2	1.4	1.5	1.8	2.0	2.3	2.6	2.9	3.3																																																											
 <p>Side panel Door L min</p>	<table border="1"> <tr> <th>L</th> <th>T</th> <th>14</th> <th>15</th> <th>16</th> <th>17</th> <th>18</th> <th>19</th> <th>20</th> <th>21</th> <th>22</th> </tr> <tr> <th>3</th> <td>1.0</td> <td>1.0</td> <td>1.0</td> <td>1.0</td> <td>1.0</td> <td>1.0</td> <td>1.0</td> <td>1.0</td> <td>1.0</td> <td>1.0</td> </tr> <tr> <th>4</th> <td>1.0</td> <td>1.0</td> <td>1.0</td> <td>1.0</td> <td>1.0</td> <td>1.0</td> <td>1.0</td> <td>1.0</td> <td>1.0</td> <td>1.2</td> </tr> <tr> <th>5</th> <td>1.0</td> <td>1.0</td> <td>1.0</td> <td>1.0</td> <td>1.0</td> <td>1.3</td> <td>1.5</td> <td>1.8</td> <td>2.0</td> <td></td> </tr> <tr> <th>6</th> <td>1.0</td> <td>1.3</td> <td>1.5</td> <td>1.8</td> <td>2.0</td> <td>2.3</td> <td>2.5</td> <td>2.8</td> <td>3.0</td> <td></td> </tr> <tr> <th>7</th> <td>2.0</td> <td>2.3</td> <td>2.5</td> <td>2.7</td> <td>3.0</td> <td>3.2</td> <td>3.5</td> <td>3.7</td> <td>3.9</td> <td></td> </tr> </table>	L	T	14	15	16	17	18	19	20	21	22	3	1.0	1.0	1.0	1.0	1.0	1.0	1.0	1.0	1.0	1.0	4	1.0	1.0	1.0	1.0	1.0	1.0	1.0	1.0	1.0	1.2	5	1.0	1.0	1.0	1.0	1.0	1.3	1.5	1.8	2.0		6	1.0	1.3	1.5	1.8	2.0	2.3	2.5	2.8	3.0		7	2.0	2.3	2.5	2.7	3.0	3.2	3.5	3.7	3.9		<p>Note: above parameter based on the door edge is right-angle side, if the door is round corner edge, the parameter value will be reduce according to the edge size.</p>
L	T	14	15	16	17	18	19	20	21	22																																																										
3	1.0	1.0	1.0	1.0	1.0	1.0	1.0	1.0	1.0	1.0																																																										
4	1.0	1.0	1.0	1.0	1.0	1.0	1.0	1.0	1.0	1.2																																																										
5	1.0	1.0	1.0	1.0	1.0	1.3	1.5	1.8	2.0																																																											
6	1.0	1.3	1.5	1.8	2.0	2.3	2.5	2.8	3.0																																																											
7	2.0	2.3	2.5	2.7	3.0	3.2	3.5	3.7	3.9																																																											

HINGE ADJUSTMENT

<p>Depth Adjustment</p> 	<p>Overlay Adjustment</p> 	<p>Height Adjustment</p> 
<p>Rotate depth screw to adjust door gap. Adjust range : 3.8mm (cam screw) 5mm (depth screw)</p>	<p>Rotate lateral screw to increase or decrease door overlay. Adjust range : 6mm</p>	<p>Adjust the mounting plate on panel to adjust the door's height.</p>
<p>Notice: The reference adjustment range is the product design range, the actual size of the cabinet and the drilling method may have a certain impact on the parameters.</p>		