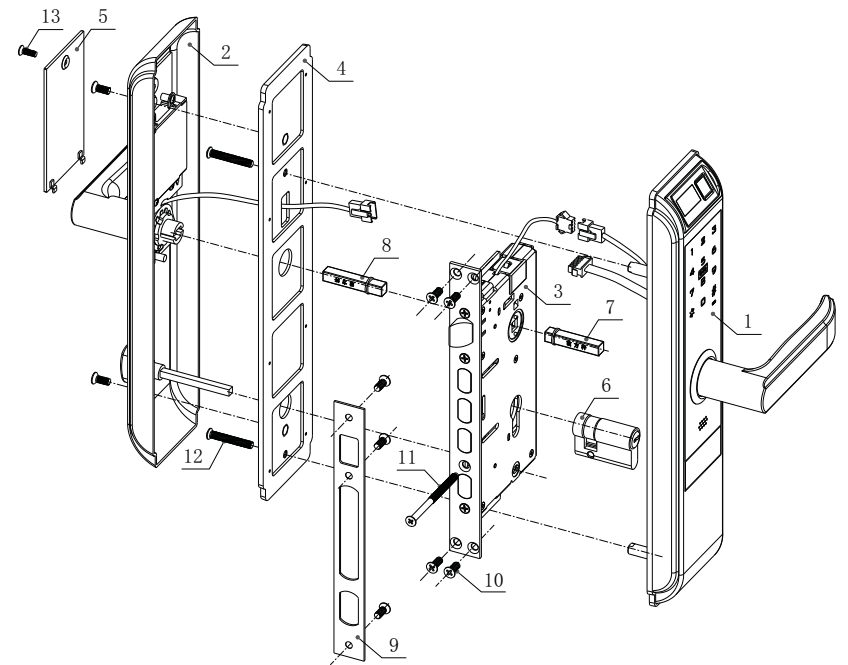


IMUNDEX

IMUNDEX



1.Exploded drawing.



NO	Name	Quantity
1	Front plate set	1
2	Back plate set	1
3	Lock body components	1
4	Back bottom plate components	1
5	Batteries case cover	1
6	Cylinder (with key)	1
7	Front square spindle	1
8	Back square spindle	1
9	Strike plate	1
10	M5X12 recessed screw	7
11	Screw for cylinder	1
12	M5X35 Semi-tapping screw	2
13	M4X12 recessed screw	1

2. Advantages and specifications

- a. SUS 304 material.
- b. Anti-peep function: Support 24 messy codes input.
- c. Bio-semiconductor fingerprint recognition technology derived from Sweden FPC. Apply to different types of fingerprint.
- d. High technology touch screen panel, which is derived from Korea ADS, is with quick induction and high anti-interference performance.
- e. Pass Water-proof test, Damp-proof test and Mould proof test.
- f. Smart Menu Navigation ensures simply operation.
- g. Unlocking records query ensures safety control of the lock usage.
- h. Four ways of unlocking: fingerprint, passwords, card and mechanical key.
- i. Backup power: DC 9V external battery interface.

3. Technical parameters

Maximum user capacity:	password+card+fingerprint (maximum 128pcs) =300pcs (could be expanded to 600pcs). Maximum admin fingerprint (password or card) is 1-9pcs.
Power supply:	DC4.5V-6.5V, 4X1.5V AA Alkaline batteries.
Static current:	<65uA
Working current:	<350mA
Low voltage alarm:	Sound and light alarm when voltage is bellow 4.8V. It is able to unlock 50times after that.
Driver:	Direct current Micro Motor
Lock body:	Standard anti-theft mortise (60x68mm with optional hooks)
Service life:	More than 300,000 times unlocking.

4. Functions and operations.

Remarks: Activate the panel by touching it by palm or hand back in advance to unlock by passwords or set the door locks.

It is better to touch the panel with more fingers or larger area of hand back.



4.1. Initial State

Initial user password is "123456".

Initial Admin password is "000000".

Initial user password will be invalid after adding new Admin information. Meanwhile, any card or any fingerprint could unlock the lock.

4.2. Enter setting mode.

Input "*"#" to enter setting mode. After that, "#" will be regarded as "OK" or Function Key. "*" will be regarded as "Clear" or "Back".

4.3. Lock functions setting.

Input "*"#" or push the "Set" on the back to enter Administrator validation. Then input Admin password (Initial password is "000000") to enter bellow screen.

4.4. Bellow is the details of Functions Manu in different directories.

4.5. Admin information setting.

Admin information setting is to add new Admin information, to revise Admin information and to delete Admin information. Admin information could be a fingerprint or a group of password.

Add new Admin information according to the instructions on screen.

Remarks: Input the serial number and "#" before inputting new fingerprint or new password. Digits of password should be 6-10 numbers, repeatedly adding the same information is not allowed.

Revise Admin information according to the instructions on screen.

Delete Admin information according to the instructions on screen.

Clear all Admin information according to the instructions on screen.

Remarks: Clear all Admin information setting will clear all User information at the same time. System will return to factory settings.

4.6.User information

User information setting is to add new User information, revise User information or delete User information. User information could be a fingerprint, a group of password or a card.

Add new User information according to the instructions on screen.

Input the serial number and "#" before inputting new fingerprint or new password. Digits of password should be 6-10 numbers, repeatedly adding the same information is not allowed.

Revise User information according to the instructions on screen.

Delete User information according to the instructions on screen.(Delete by serial number)

Delete User information according to the instructions on screen.(Delete by User type)

Clear all User information according to the instructions on screen.

Add Temporary User information according to the instructions on screen.

Remarks: There is only one group of Temporary User information. User could unlock the lock in appointed valid period via Temporary User information.

4.7.System setting

System setting contains time setting, records querying, Passage mode setting, system records statistic.

Time setting

Set the time according to the instructions on screen.

Unlock mode setting

Set the unlock modes according to the instructions on screen.

Remarks: Coordination unlock mode allows any two types of User information to unlock the lock.

Passage mode setting

Set the passage mode according to the instructions on screen.

Language setting

Set the language according to the instructions on screen.

4.8.Data statistics and records

Data statistics and records contains records querying and store records statistic. Query unlock records according to the instructions on screen.

Remarks: Maximum 256pcs records. Serie number from 001 to 256. Extra records will cover the old records from 001 to 256. "4" will be regarded as "back" while "6" will be regarded as "Next".

To review the last unlock record via series query.

To review the last unlock record of the very day via time query.

Data & Records

Query the data & records according to the instructions on screen.

4.9.Factory reset

Long press the reset button for 5s to do the factory reset. All unlock records and data will be clear after factory reset successfully. Initial Admin password is "000000" and initial User password is "123456".

4.10.Others

@ The screen will be locked for 1min when inputing invalid passwords for 5times.

@ Anti-peek Function: Input the passwords like XXX+valid passwords+XXX, namely add messy codes before or after the passwords and press "#" to unlock the lock. Passwords should be within the last 24 numbers uninterruptedly.

@ System will logn out when no operation over 10s.

@ The lock will alarm during unlock everytime when the voltage is lower than 4.8V. The lock could be unlocked for extra 205 times after the 1st alarm.

4.11. Sound Indicates

Long beep for one time	Successful operation
Short beep for two times	Indicatates
Short beep for three times	Failure operation
Alarm whistle	Low voltage/Illegal operation

5.Size

