

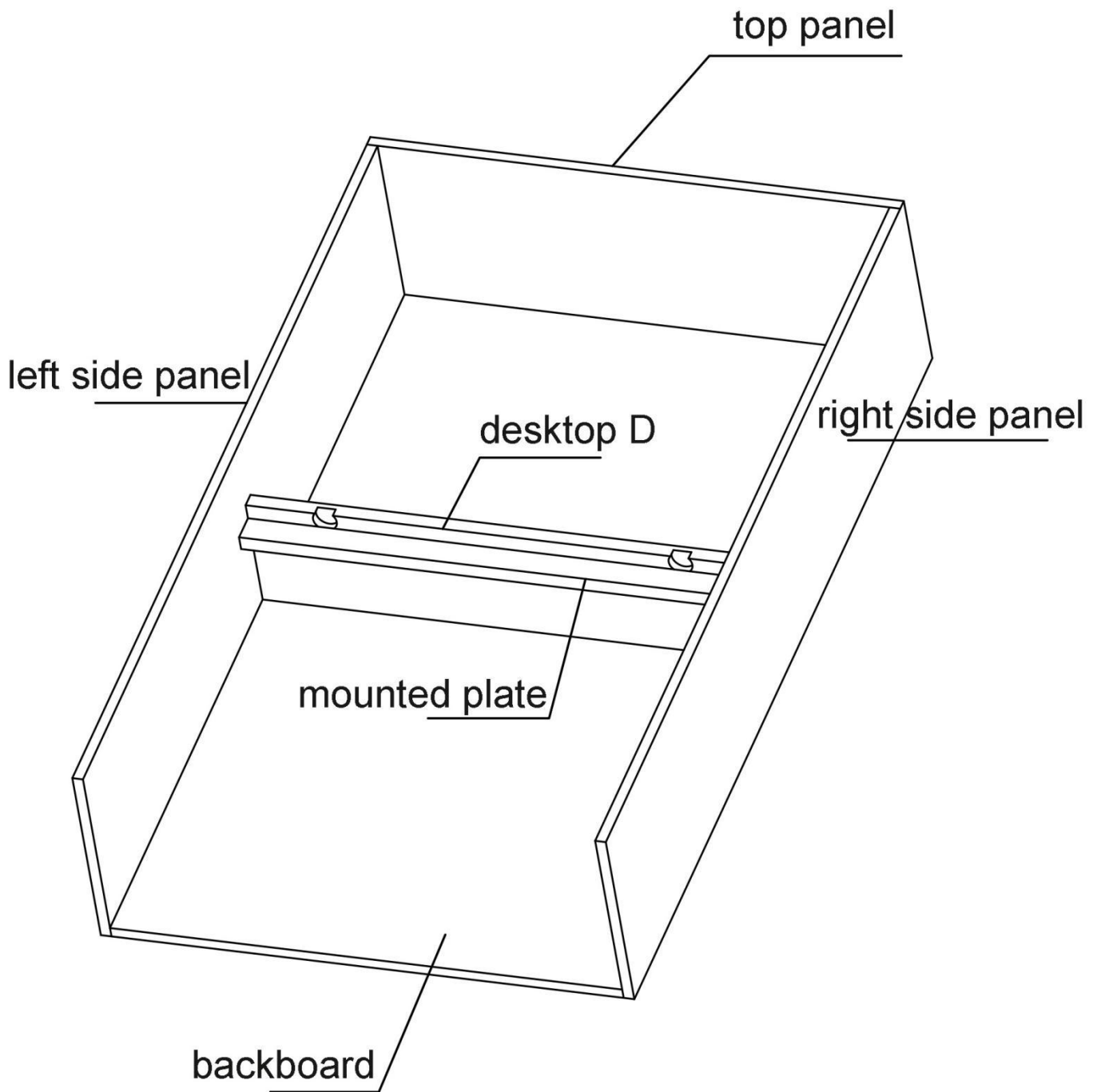
Hidden Folding Table Hardware Instruction

1601042

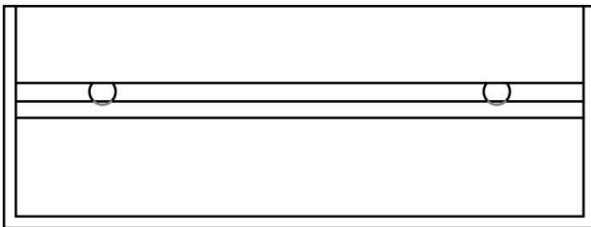
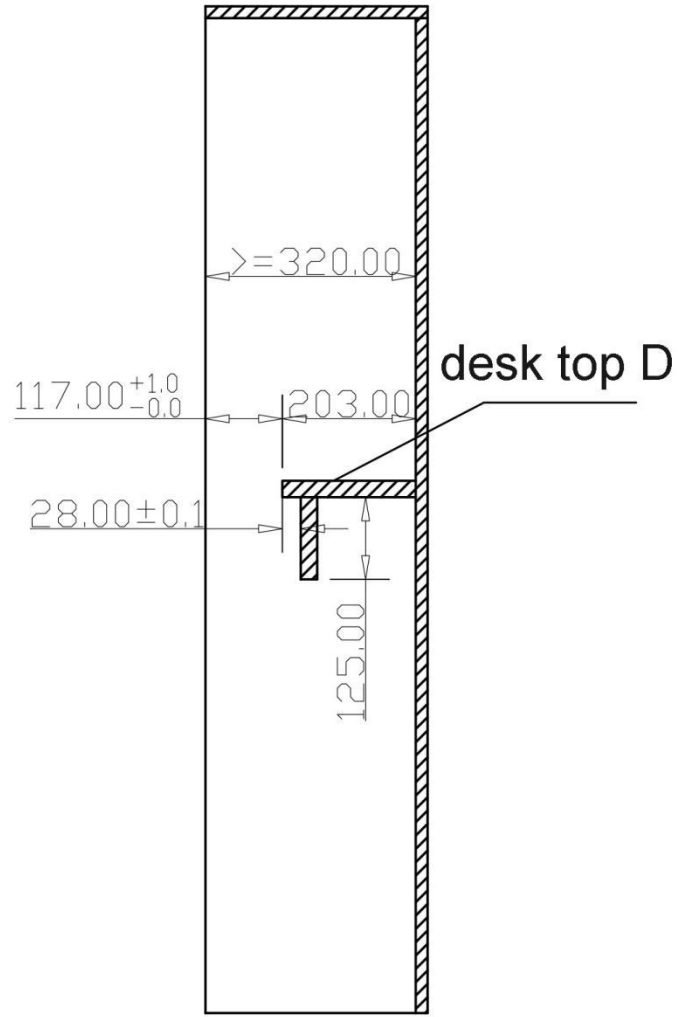
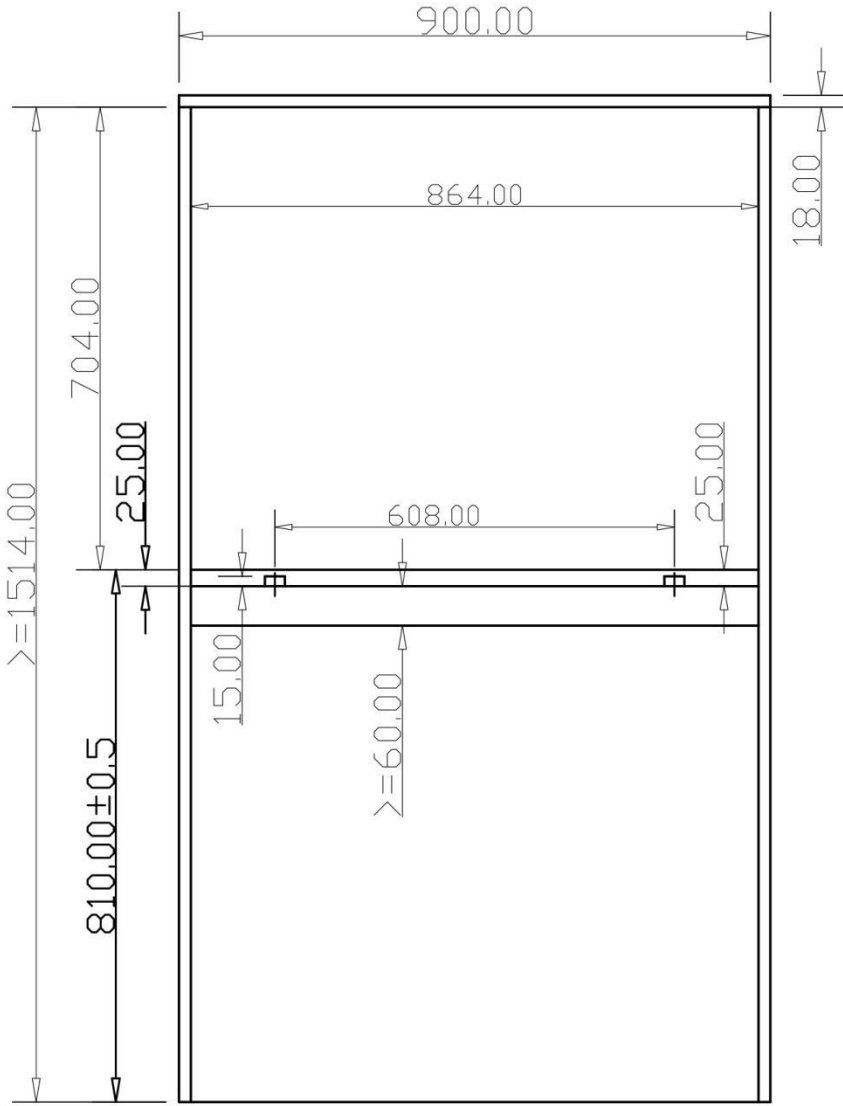
Catalogue

1. Catalogue	1
2. Assembly Drawing of Cabinet	2
3. Size Drawing of Cabinet	3
4. Cabinet--- top panel	4
5. Cabinet---left&right side	4
6. Cabinet---desktop D	5
7. Cabinet---mounted plate	5
8. Cabinet---assembly	6
9. Cabinet---size drawing	7
10. Desktop C of cabinet	8
11. Cabinet---left&right side panel	8
12. Cabinet---shelf	9
13. Cabinet---bottom panel	9
14. Cabinet---backboard	10
15. Desktop A; Desktop B	11
16. Accessories---installation	12
17. Finished product show	13

Cabinet---Assembly Drawing

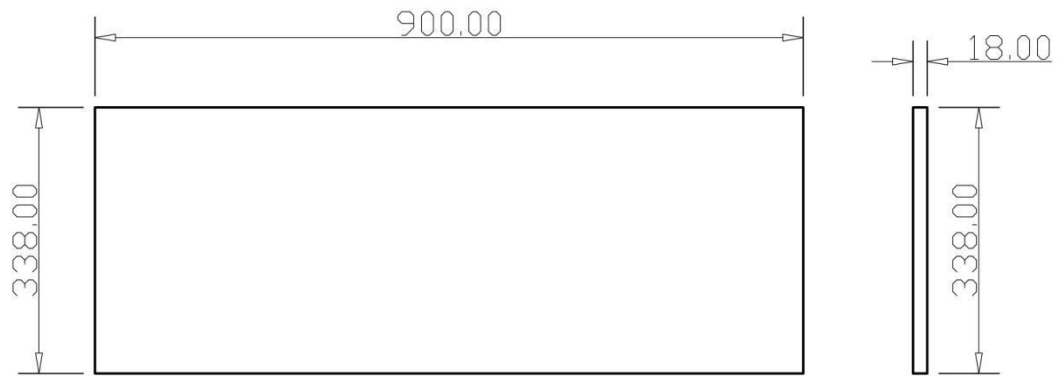


Cabinet---Size Drawing

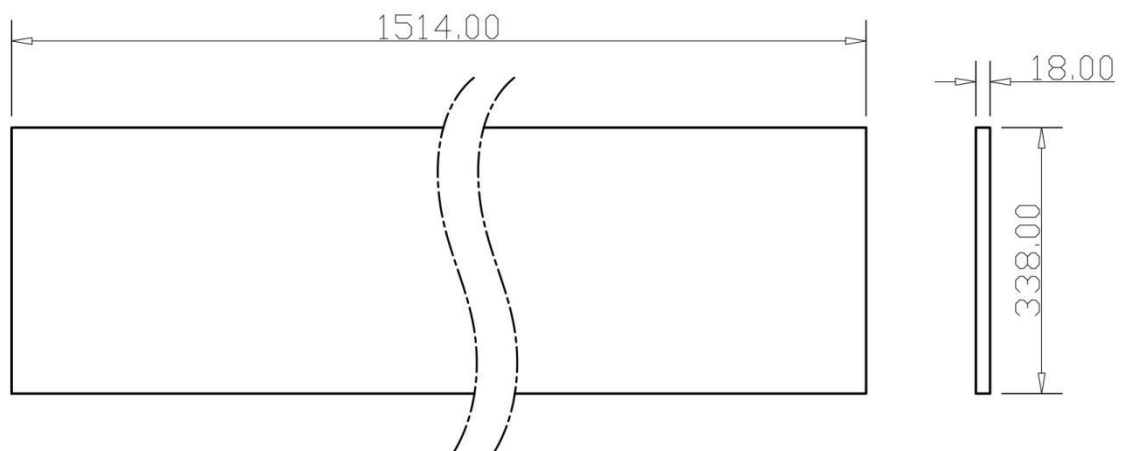


cross section A-A

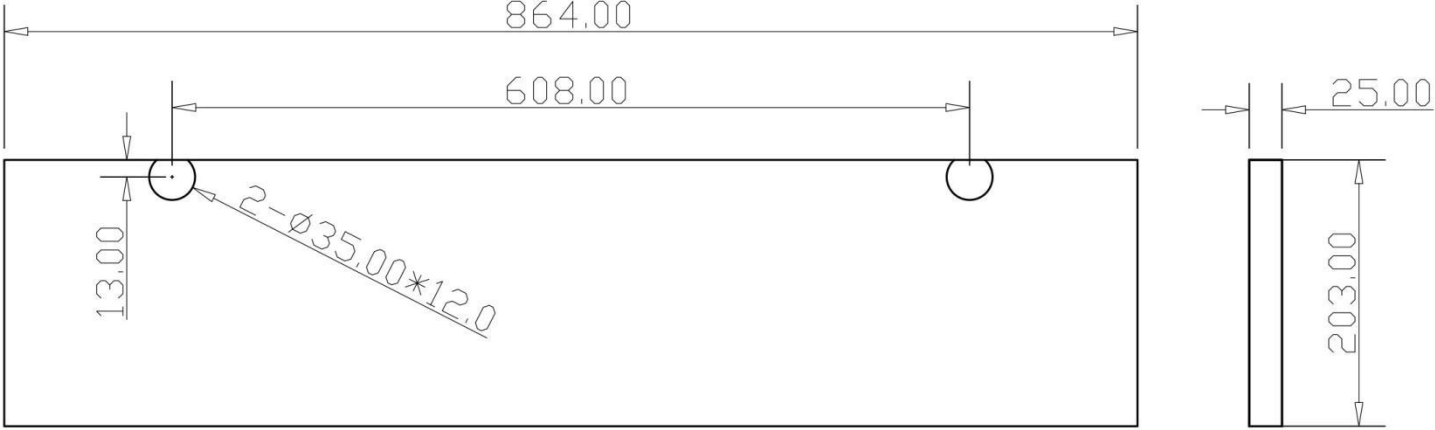
Cabinet---Top Panel



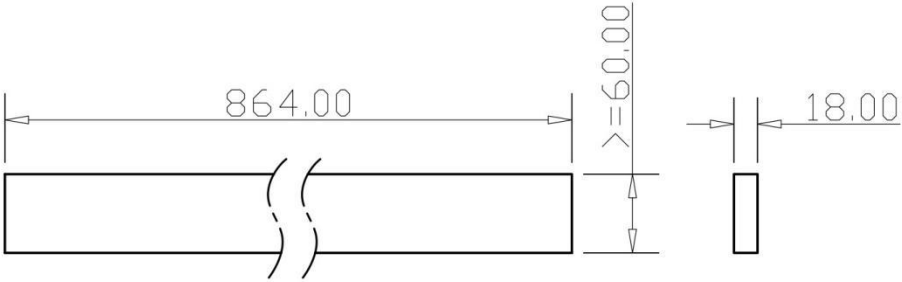
Cabinet---Left & Right Side Panels



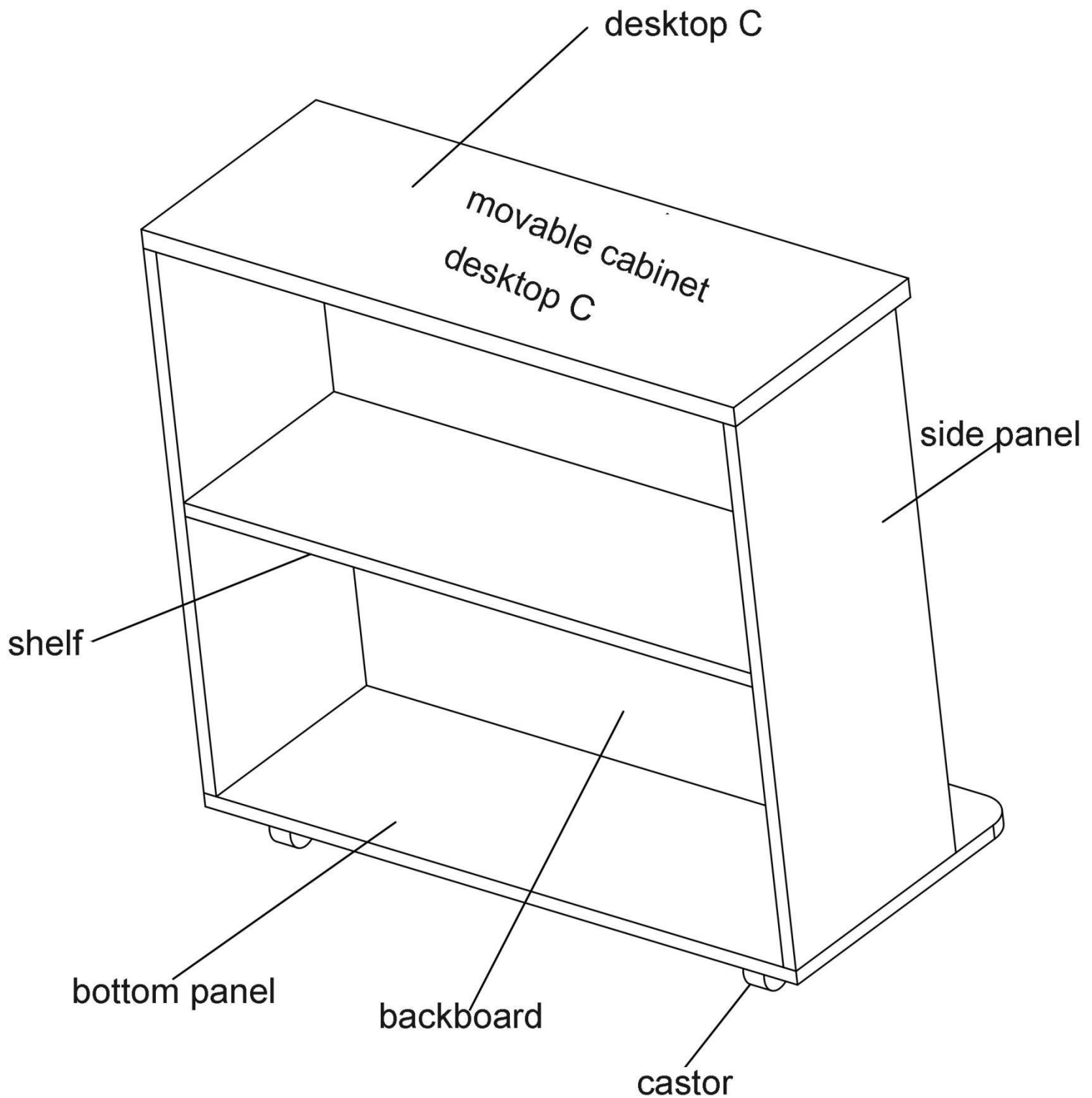
Cabinet---Desktop D



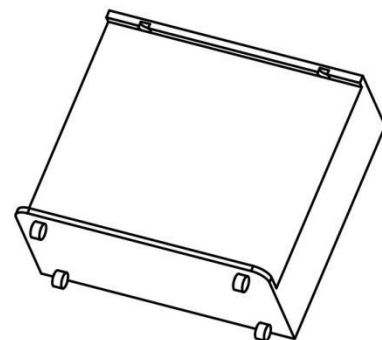
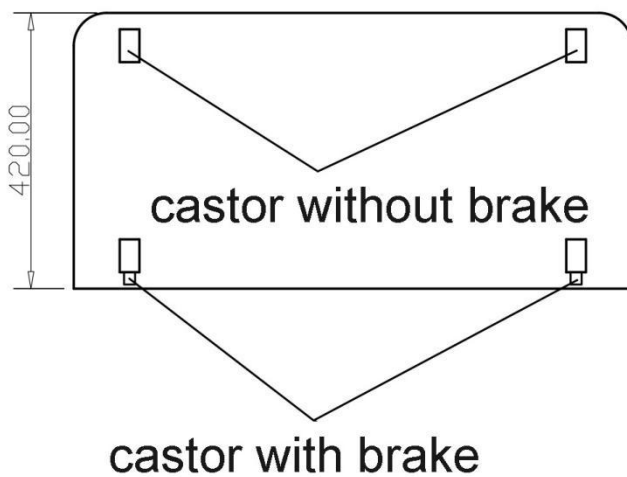
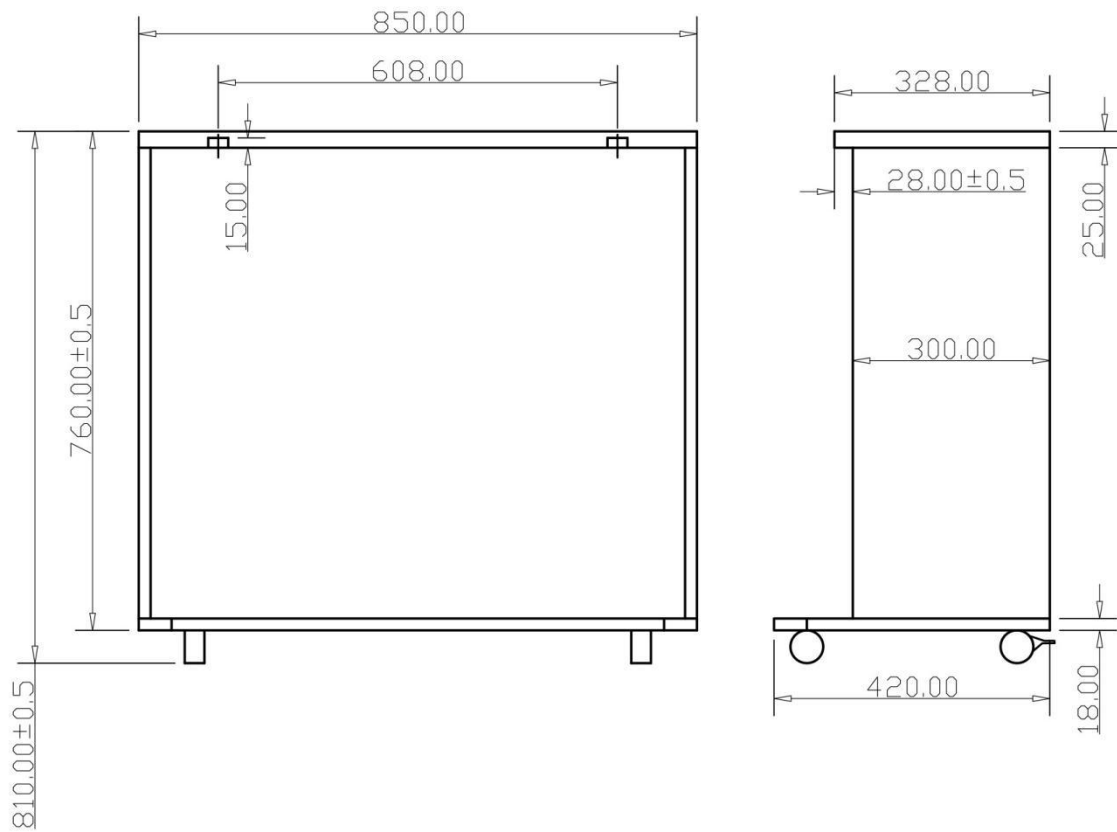
Cabinet---Mounted Plate



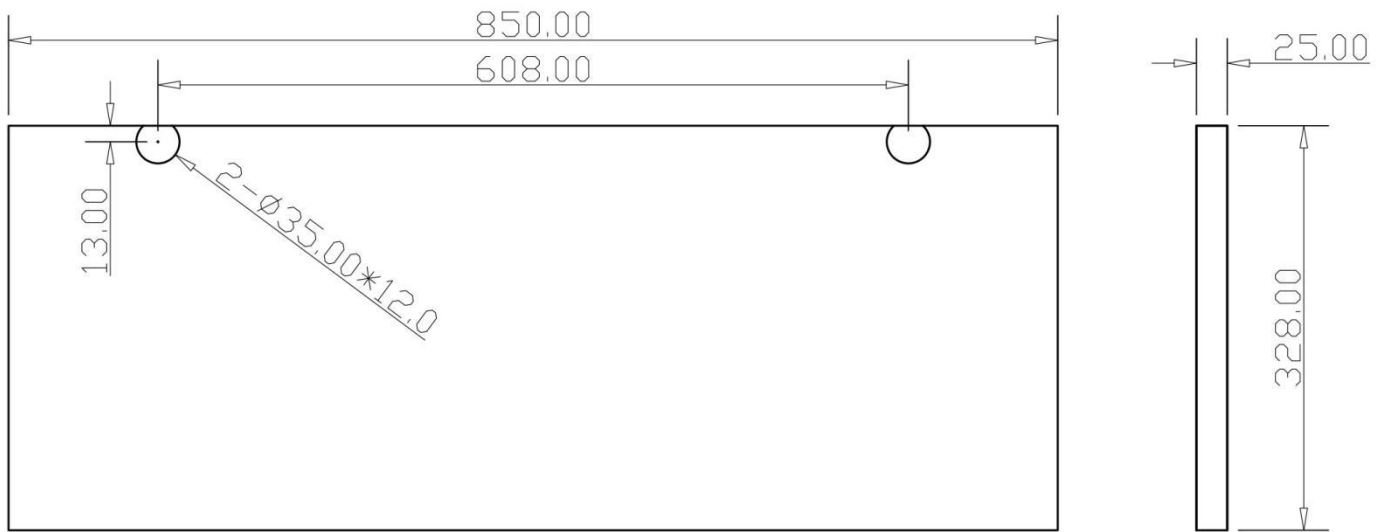
Movable Cabinet---Assembly Drawing



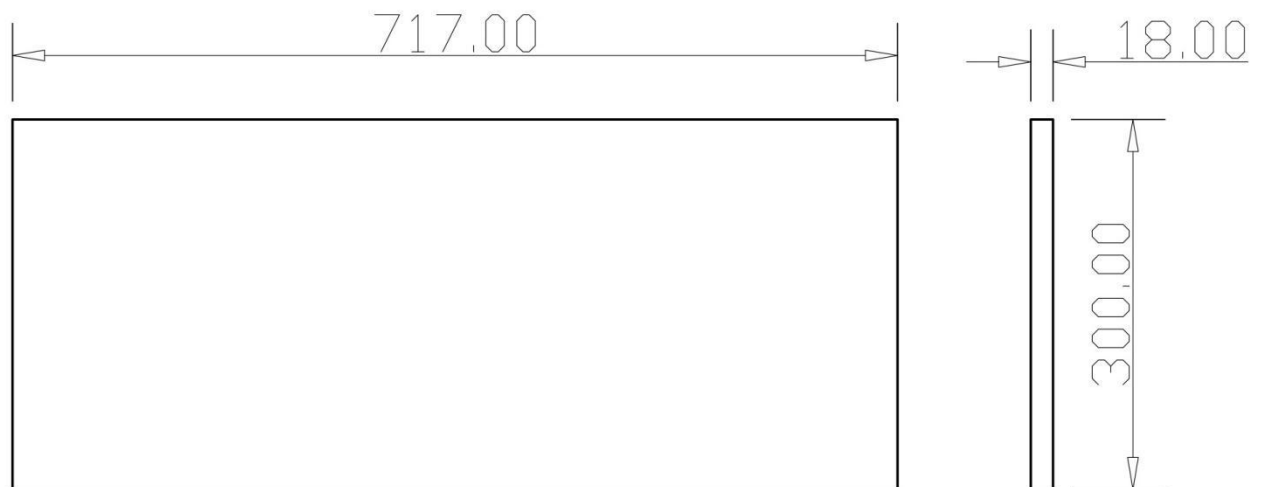
Movable Cabinet---Size Drawing



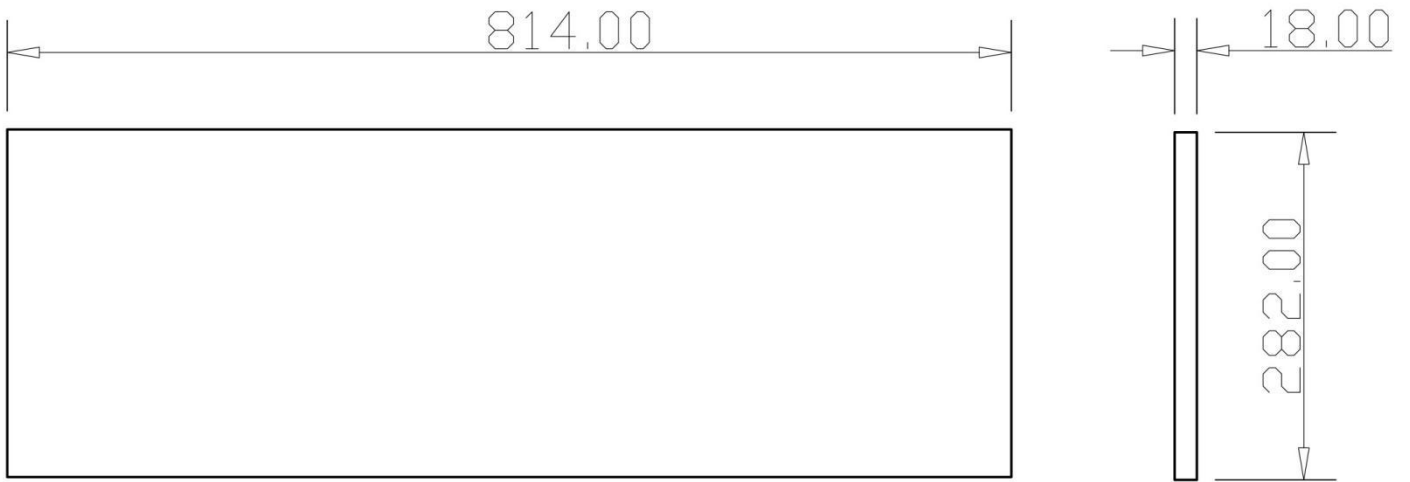
Movable Cabinet---Desktop C



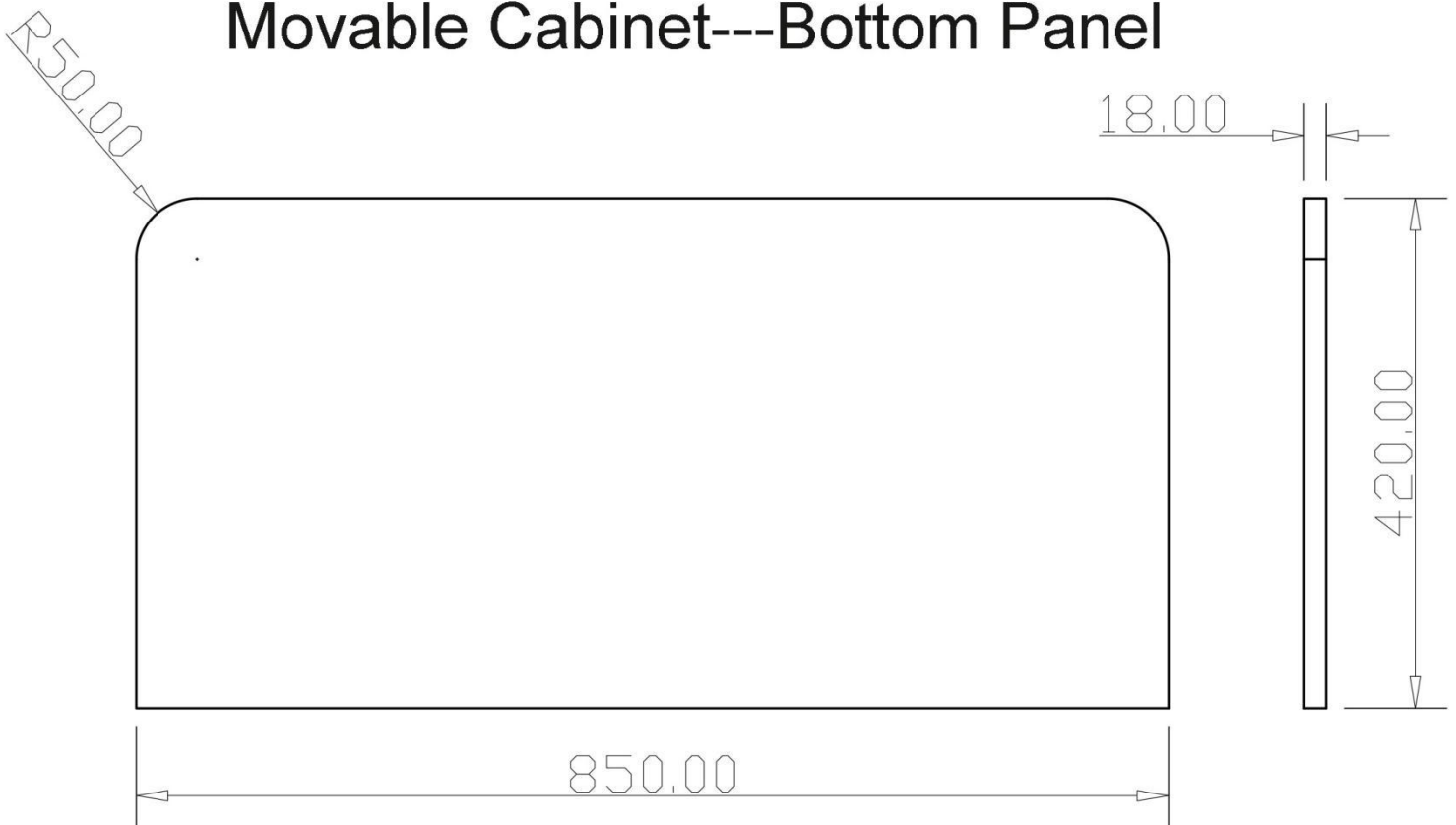
Movable Cabinet---Left & Right Side Panels



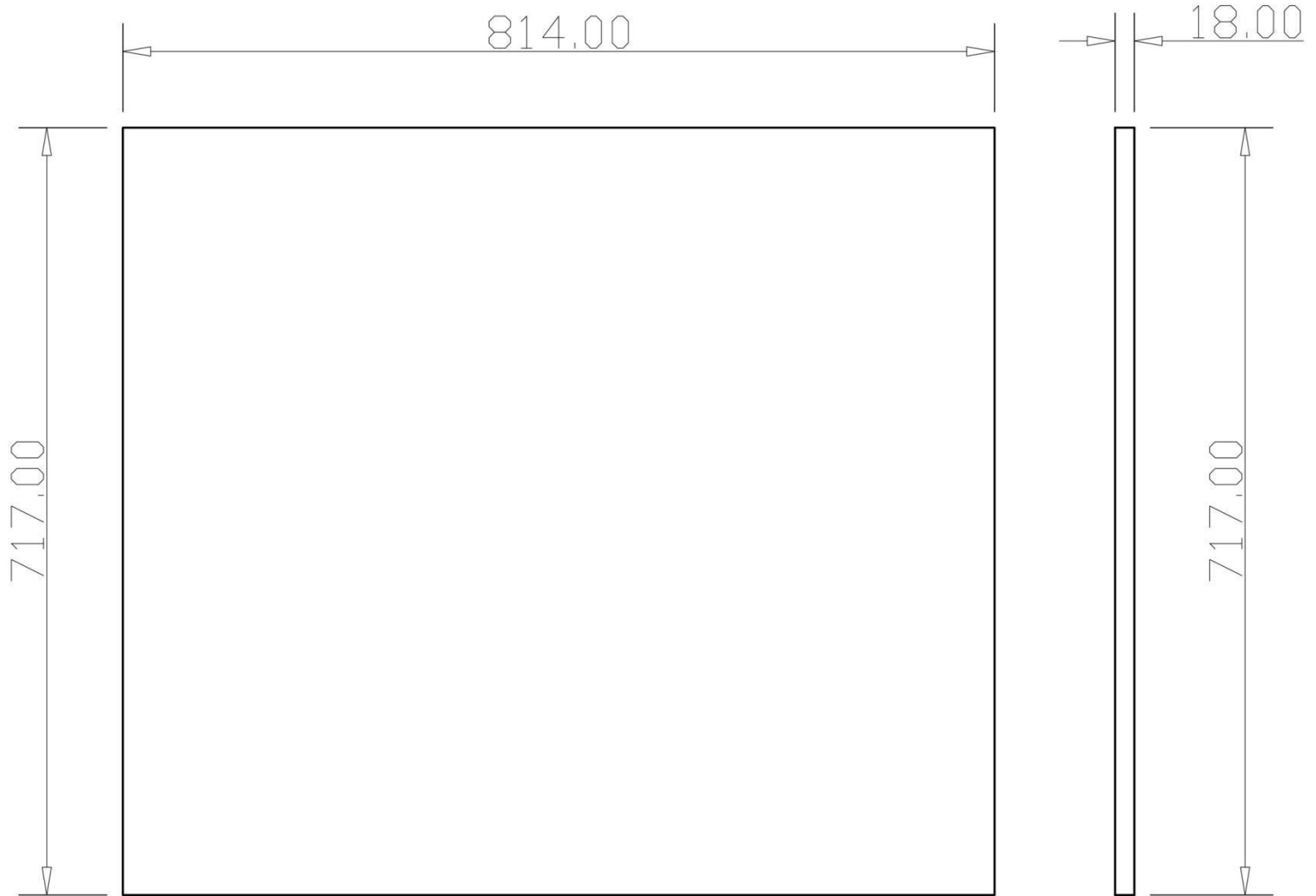
Movable Cabinet---Shelf



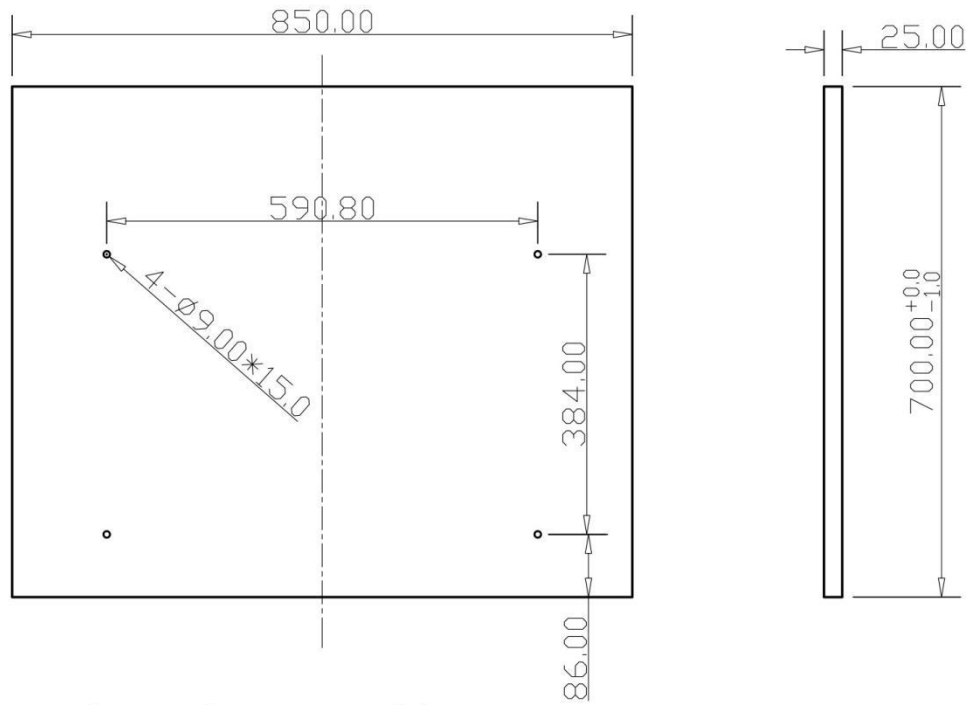
Movable Cabinet---Bottom Panel



Movable Cabinet---Backboard

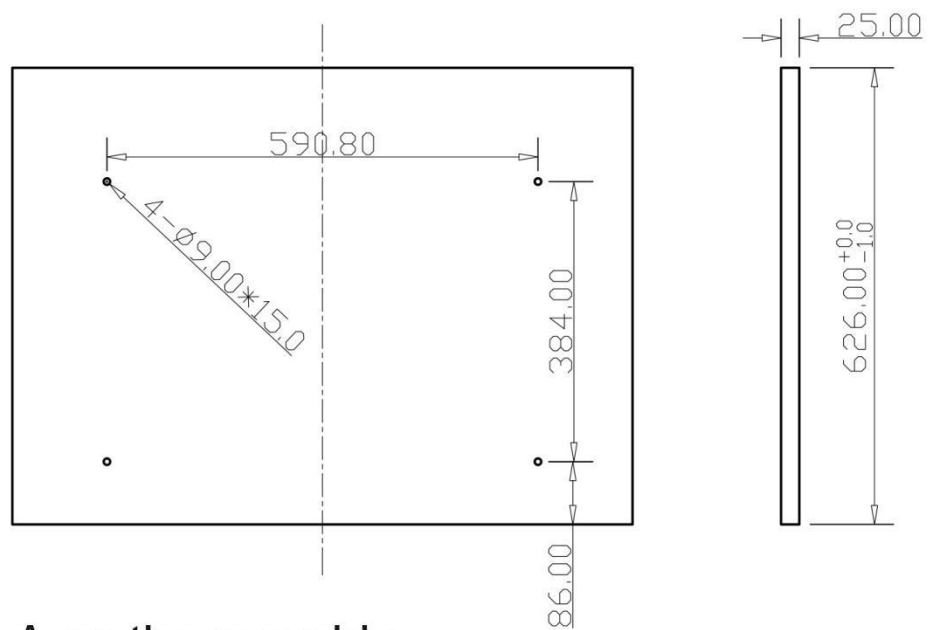


Desktop A



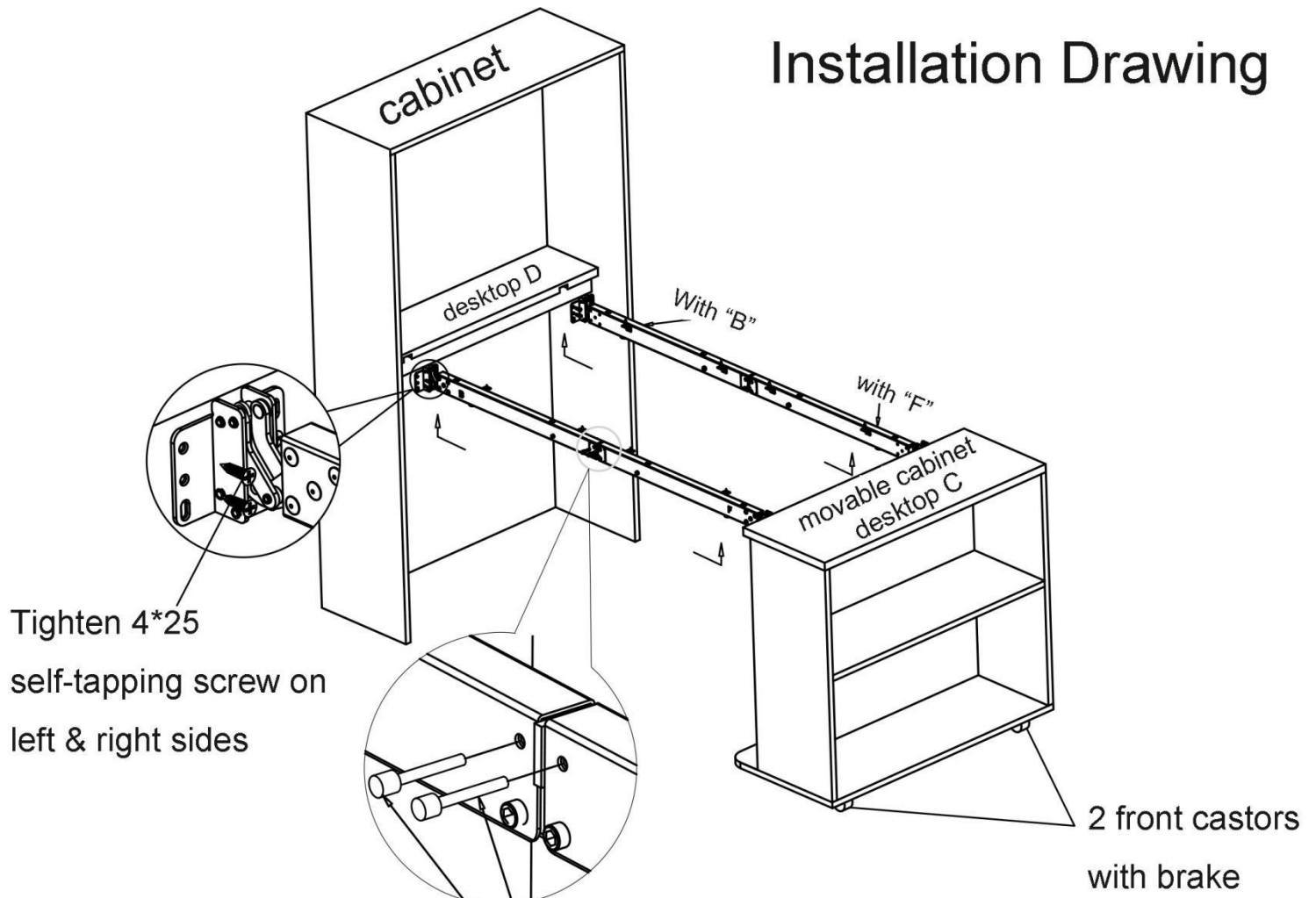
Installing desktop A on the movable cabinet, as shown on page 13.

Desktop B

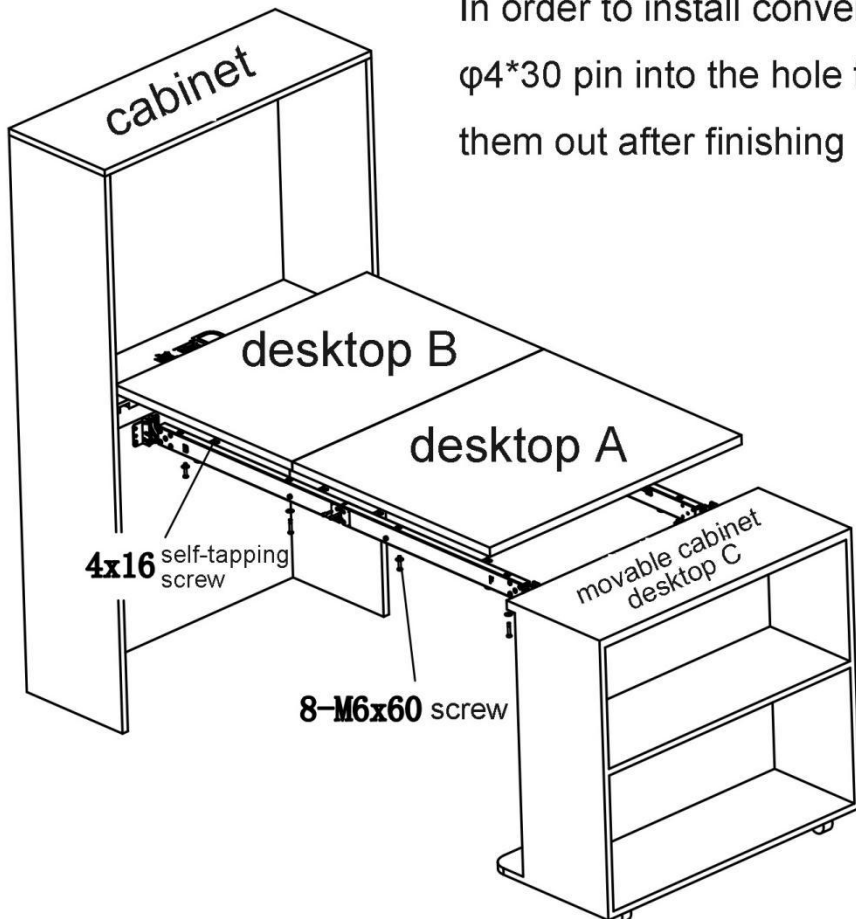


Installing desktop A on the movable cabinet, as shown on page 13.

Installation Drawing



In order to install conveniently, please insert 2 pcs $\phi 4 \times 30$ pin into the hole to make it straight. Take them out after finishing installation.



Finished Product Show

